

Gas Range, 24", 4 Burners

Series 5 | Contemporary

Stainless Steel

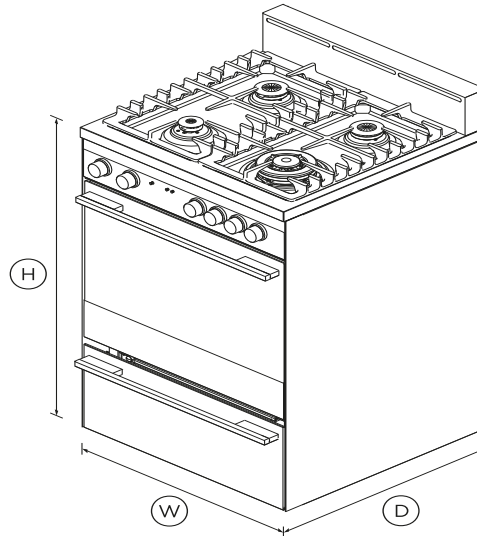


Perfect for compact kitchens, but with plenty of room to cook a large family roast and all the sides.

- Four burner gas cooktop, with wok burner
- Gas oven with 2.5 cu.ft total capacity and four oven functions including Defrost and Convection Bake

DIMENSIONS

Height	35 ⁷ / ₁₆ - 36 ⁷ / ₃₂ "
Width	23 ⁷ / ₈ "
Depth	24 ³ / ₃₂ "



FEATURES & BENEFITS

Cooking flexibility

This freestanding gas range has four functions with pre-set temperatures, including Bake, Broil and Convection Bake allowing you to use a variety of cooking styles.

SPECIFICATIONS

Accessories

Step down wire shelf	1
Wok stand	•

Capacity

Shelf positions	3
Total	2.5
Total capacity	2.5

Cleaning

Acid resistant graphite enamel	•
Removable oven door	•

Controls

Automatic cooking/minute	•
Electronic clock	•

Oven features

Electronic ignition	•
---------------------	---

Oven functions

Bake	•
Broil	•
Convection bake	•
Defrost	•
Grill	8500

Power requirements

Amperage	0.1A
Supply frequency	60Hz
Supply voltage	120V

Product dimensions

Depth	24 ³ / ₃₂ "
Height	35 ⁷ / ₁₆ - 36 ⁷ / ₃₂ "
Width	23 ⁷ / ₈ "

Rangetop features

LPG/Natural gas compatible •

Rangetop Performance

Auxiliary burner	3500BTU
Cast iron trivets	•
Number of burner elements	4
Semi-rapid burner	6000BTU

Safety

- Advanced cooling system •
- Anti-tilt bracket •
- Door and cavity cooling •
- Flame failure •
- Glazed door •
- Non-tip shelves •

Warranty

Parts and labor 2 years

SKU 81554

TEST The product dimensions and specifications in this page apply to the specific product and model. Under our policy of continuous improvement, these dimensions and specifications may change at any time. You should therefore check with Fisher & Paykel's Customer Care Centre to ensure this page correctly describes the model currently available. © Fisher & Paykel Appliances Ltd 2020

Other product downloads available at fisherpaykel.com

- [↓](#) User Guide
- [↓](#) Service & Warranty Booklet
- [↓](#) Installation Guide
- [↓](#) Resources (zip)

**A PEACE OF MIND SALE**

24 Hours 7 Days a Week Customer Support

T 1.888.936.7872 W www.fisherpaykel.com