

Induction Range, 36", 5 Zones with SmartZone, Self-cleaning

Series 9 | Contemporary

Stainless Steel



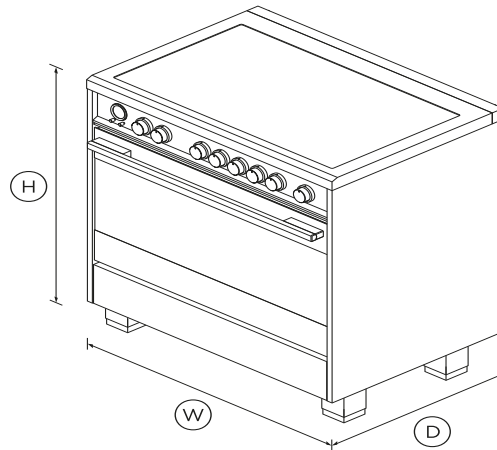
With large oven and cooktops that can be paired to create an expansive cook zone, this is a range made for those who love to cook.

- Five induction cooking zones, which can be joined to form SmartZones
- Convection oven with 4.9 cu.ft total capacity, nine oven functions including Roast, Aero Pastry™ with pizza mode and rapid proof for baking bread
- Non-tip full-extension shelves for safe removal of hot dishes

- High-temperature self-cleaning function breaks down food residue for an easy clean

DIMENSIONS

Height	35 ³ / ₄ - 37 ¹ / ₄ "
Width	35 ⁷ / ₈ "
Depth	25 ¹ / ₄ "



FEATURES & BENEFITS

Multi-shelf cooking

Our AeroTech™ system circulates air evenly throughout the entire oven so dishes on the top shelf turn out just as perfect as food cooking on the bottom shelf.

Quality and durability

Every detail has been carefully crafted. The solid, perfectly

balanced soft-close door, durable cooktop and glowing halo dials all add up to an exceptional, premium range.

Power & control

Instant and immediate control from the highest to the gentlest heat. The finely tuned cooktop controls let you sear, stir fry or simmer a delicate sauce to perfection.

Easy to clean

Cleaning up spills is effortless. Your cooktop simply needs a quick wipe to keep it looking good as new. The self-clean function breaks down food residue at a very high temperature, leaving a light ash that's easily removed with a damp cloth.

Even heat

Accurate, electronically-controlled oven heat ensures a great result every time.

Large capacity oven

The generous 4.9 cu.ft total capacity oven gives you plenty of space to cook multiple dishes at once, with enough room to fit a 32 lb turkey.

SPECIFICATIONS

Accessories

2-pc grill system (Broil pan and	•
Broil pan	•
Broil rack	•
Hob rear trim (optional)	3 1/8" (part 81654)
Kick strip, stainless steel	Part 81659

Capacity

Shelf positions	7
Total capacity	4.9 cu ft

Cleaning

Acid resistant graphite enamel	•	Full extension telescopic	2 sets (part 578744)
Drop down grill element	•	Internal light	4 x 25W halogen (2 side & 2
Flat easy clean glass surface	•	Pyrolytic proof shelf runners	•
Pyrolytic proof shelf runners	•	Self-cleaning	•
Pyrolytic self-clean	•	Soft open/close door	•
Removable oven door	•	True convection	•
Removable shelf runners	•	Twin cavity fans	•
		Warming drawer	•

Controls

Audio feedback	•	Oven functions	
Automatic cooking/minute	•	Aero Bake	•
Automatic pre-set	•	Aero Broil	•
Celsius/Fahrenheit	•	Aero™ Pastry with Pizza mode	•
Electronic clock	•	Bake	•
High resolution display	•	Broil	•
High resolution touch display	•	Maxi Broil	•
Interior light	•	Number of functions	9
Laser etched graphics	•	Rapid proof	•
Precise electronic temperature	•	Roast	•
Sabbath mode	•	True Aero	•
Toughened fused glass	•		
Turned stainless steel clock	•	Oven performance	
Turned stainless steel clock	•	Combined warming/Storage	220W
Turned stainless steel dials	•	CoolTouch door	Quadruple glazed
		Warming drawer power	220W

Oven features

AeroTech™ technology	•	Power requirements	
Automatic rapid pre-heat	•	Amperage	65A (Recommended Electrical
Concealed element	•	Supply frequency	60Hz
Electronic oven control	•	Supply voltage	208 - 240V

Product dimensions

Depth	25 1/4"
Height	35 3/4" - 37 1/4"
Installation cutout dimensions	25 1/4"
Installation cutout dimensions	36"
Width	35 7/8"

Rangetop features

Auto heat reduce	•
Dual zones	•
Gentle heat	3 settings (108°F, 149°F,
Heat settings	9
Hob rear trim	3
Induction cooking technology	•
PowerBoost	•
SmartZone	•
Zone bridging	•

Rangetop Performance

Centre	1850/5500W
Left front zone rating	2100W/3700W
Left rear zone rating	2100W/3700W
Number of cooking zones	5
PowerBoost	up to 5500W
Right front zone rating	2100W/3700W
Right rear zone rating	2100W/3700W

Safety

Advanced cooling system	•
-------------------------	---

Anti-tilt bracket	•
Balanced oven door	•
Catalytic venting system	•
Child lock	•
Full extension telescopic	•
Non-tip shelves	•
Pan detection system	•
Safety time out	•
Spill containment	3/8 gallon
Spillage auto off	•
Surface hot indicators	•

Warranty

Parts and labor	2 years
-----------------	----------------

SKU	81310
-----	-------

Other product downloads available at fisherpaykel.com

- [↓](#) User Guide
- [↓](#) Service & Warranty Booklet
- [↓](#) Installation Guide



A PEACE OF MIND SALE

24 Hours 7 Days a Week Customer Support

T 1.888.936.7872 Wwww.fisherpaykel.com

TEST The product dimensions and specifications in this page apply to the specific product and model. Under our policy of continuous improvement, these dimensions and specifications may change at any time. You should therefore check with Fisher & Paykel's Customer Care Centre to ensure this page correctly describes the model currently available. ? Fisher & Paykel Appliances Ltd 2020