

# Gas Range, 36", 5 Burners

Series 7 | Classic

White

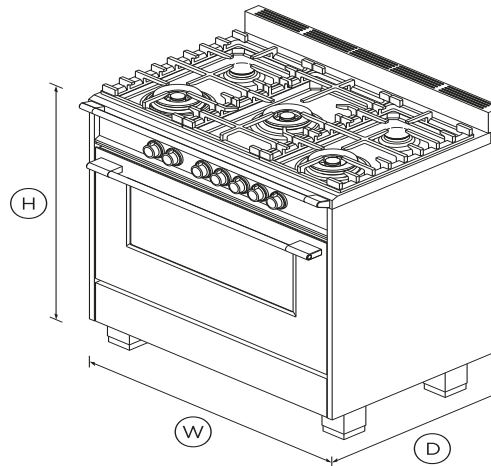


Make your range a focal point. With a large capacity oven and five burners, this is the perfect way to cook for a crowd.

- Five burner gas cooktop, including one dual ring and two triple ring wok burners
- Gas oven with 4.9 cu ft total capacity and three functions including Bake and Broil

## DIMENSIONS

Height	35 <sup>3</sup> / <sub>4</sub> - 37 <sup>1</sup> / <sub>4</sub> "
Width	35 <sup>7</sup> / <sub>8</sub> "
Depth	25 <sup>1</sup> / <sub>4</sub> "



## FEATURES & BENEFITS

### Design quality

This range has been carefully crafted in every detail from performance to durability using quality materials including the balanced soft-close door and rounded hob rail.

### LARGE CAPACITY OVEN

The generous 4.9 cu.ft total capacity oven gives you plenty of space to cook multiple dishes at once, with enough room to fit a 32 lb turkey.

## Performance power

Precise cooktop controls let you sear or stir fry over instant, powerful heat. Use the high burner power or simmer a delicate sauce using the gentlest of heats.

## Easy cleaning

With its durable surface, your cooktop simply needs a quick wipe after cooking to keep it looking good as new for years to come.

## SPECIFICATIONS

### Accessories

2-pc grill system (Broil pan and	•
Broil pan	•
Broil rack	•
Chromed shelf runners	1 set
Hob rear trim (optional)	3 1/8" (part 81654)
Kick strip, stainless steel	Part 81659
Small pot support	1 (part 533981 cast)
Wok stand	1 (part 534678)

### Capacity

Shelf positions	7
Total capacity	4.9 cu ft

### Cleaning

Acid resistant graphite enamel	•
Removable oven door	•
Removable shelf runners	•

### Controls

Interior light	•
----------------	---

Laser etched graphics •

**Gas requirements**

Supply Pressure (LPG) **11" W.C.P**  
 Supply Pressure (natural gas) **4" W.C.P**

**Oven features**

Concealed element •  
 Convection •  
 Electronic ignition •  
 Full extension telescopic **2 sets (part 578744)**  
 Internal light **4 x 25W halogen (2 side & 2**  
 Soft open/close door •  
 Storage drawer •

**Oven functions**

Bake **17000BTU**  
 Broil •  
 Convection bake •  
 Maxi Broil •  
 Number of functions **3**

**Oven performance**

CoolTouch door **Quadruple glazed**

**Power requirements**

Amperage **1A**  
 Supply frequency **60Hz**  
 Supply voltage **120V**

**Product dimensions**

Depth **25 1/4 "**  
 Height **35 3/4 - 37 1/4 "**  
 Installation cutout dimensions **25 1/4 "**  
 Installation cutout dimensions **36 "**  
 Width **35 7/8 "**

**Rangetop features**

Dishwasher safe trivets •  
 Hob rail •  
 Hob rear trim **0 7/8"**  
 LPG/Natural gas compatible •  
 Sealed range top •

**Rangetop Performance**

Dual wok burner inner/outer **1000 - 18000BTU**  
 Dual wok burner inner/outer **1000 - 18000BTU**  
 Max burner power **18000BTU**  
 Number of burner elements **5**  
 Number of burners **5**  
 Semi-rapid burner (LPG) x2 **1500 - 8000BTU**  
 Semi-rapid burner (natural) **1500 - 8000BTU**  
 Total cooktop power **62000BTU**  
 Triple ring wok burner (LPG) **6100 - 14000BTU**  
 Triple ring wok burner (natural) **6100 - 14000BTU**

**Safety**

Advanced cooling system •  
 Anti-tilt bracket •

Balanced oven door •  
 Full extension telescopic •  
 Non-tip shelves •  
 Spill containment **5/8 gallon**

SKU **81303**

TEST The product dimensions and specifications in this page apply to the specific product and model. Under our policy of continuous improvement, these dimensions and specifications may change at any time. You should therefore check with Fisher & Paykel's Customer Care Centre to ensure this page correctly describes the model currently available. ? Fisher & Paykel Appliances Ltd 2020

---

Other product downloads available at [fisherpaykel.com](http://fisherpaykel.com)



User Guide



Service & Warranty Booklet



Installation Guide



**A PEACE OF MIND SALE**

24 Hours 7 Days a Week Customer Support

T 1.888.936.7872 **W**[www.fisherpaykel.com](http://www.fisherpaykel.com)