

# Wall Range Hood, 24", Pyramid Chimney

Series 7 | Contemporary

Stainless Steel

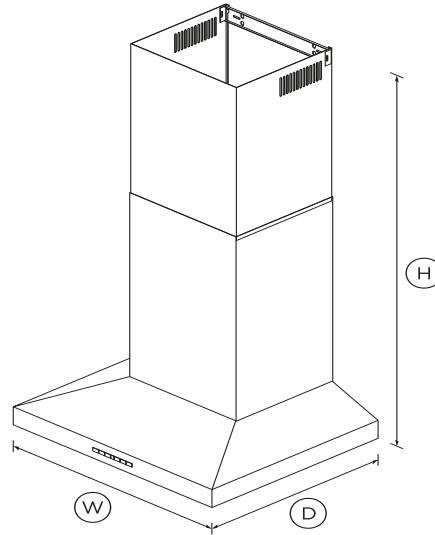


This wall chimney range hood has a contemporary styling, extracting steam, grease and cooking odors quietly and efficiently.

- With four fan speeds, select the perfect extraction rate for your cooking
- Edge-to-edge extraction for increased performance
- Powerful 600CFM maximum airflow

## DIMENSIONS

Height	25 <sup>13</sup> / <sub>16</sub> - 43 <sup>1</sup> / <sub>16</sub> "
Width	23 <sup>9</sup> / <sub>16</sub> "
Depth	19 <sup>11</sup> / <sub>16</sub> "



## FEATURES & BENEFITS

### Quiet and effective

Odors can linger in the kitchen well after cooking is finished. This vent hood offers four fan speeds for powerful extraction to ensure steam and smells are quickly removed.

### Easy installation

This wall chimney vent hood is the perfect partner to your Fisher & Paykel cooktop. It can be either externally ducted or internally recirculated, making it perfect for apartments.

## Simple to clean

Two filters effectively trap grease particles during extraction. They are easy to remove and dishwasher safe, or can be cleaned by hand in hot soapy water.

## SPECIFICATIONS

### Accessories

- Ducting solution
- Recirculation cabin filter
- Recirculation diverter

### Fan ratings

Maximum sound rating	67dBA
----------------------	-------

### Installation and cleaning

Air outlet size	6"
Dishwasher safe filters	2
Stainless steel filter cover	•
Two piece height adjustable	•

### Power requirements

Supply voltage	120V
----------------	------

### Product dimensions

Depth	19 <sup>11</sup> / <sub>16</sub> "
Height	25 <sup>13</sup> / <sub>16</sub> - 43 <sup>1</sup> / <sub>16</sub> "
Width	23 <sup>9</sup> / <sub>16</sub> "

### Ventilation features

Light type	LED 2 x 5.5W
------------	--------------

Timer function

•

---

**Warranty**

Parts and labor

**2 years**

---

SKU

50132

---

TEST The product dimensions and specifications in this page apply to the specific product and model. Under our policy of continuous improvement, these dimensions and specifications may change at any time. You should therefore check with Fisher & Paykel's Customer Care Centre to ensure this page correctly describes the model currently available. ? Fisher & Paykel Appliances Ltd 2020

---

**Other product downloads available at fisherpaykel.com**



User Guide



Service & Warranty Booklet



Installation Guide



Resources (zip)



**A PEACE OF MIND SALE**

**24 Hours 7 Days a Week Customer Support**

**T 1.888.936.7872 W www.fisherpaykel.com**