

# Integrated Refrigerator Freezer, 36", Ice

Series 7 | Integrated

Panel Ready | Right Hinge

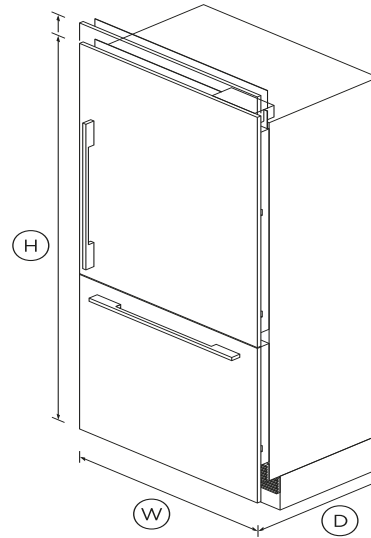


Choose a roomy refrigerator with ice maker. Fits flush with your custom cabinetry or with our stainless steel panels.

- ActiveSmart™ technology helps keep food fresher for longer by constantly maintaining the ideal temperature
- Customize with your own kitchen cabinetry or purchase our stainless steel door panel accessory
- Spacious bottom freezer with full extension drawer, and Internal ice maker with boost for busy times
- Can be fitted for a height of 80 or 84 inches

## DIMENSIONS

Height	79 <sup>7</sup> / <sub>8</sub> "
Width	35 <sup>11</sup> / <sub>16</sub> "
Depth	23 <sup>3</sup> / <sub>4</sub> "



## FEATURES & BENEFITS

### ActiveSmart™ Foodcare

ActiveSmart™ Foodcare learns how you live. It's technology which understands how you use your fridge and adjusts temperature, airflow and humidity inside to help keep food fresher for longer.

### Clever energy

Your refrigerator adapts to daily use by cooling and defrosting only when needed. This means your refrigerator uses the energy it needs without compromising on food care.

### Complementary Design

With their premium handle styling and stainless steel finish, our refrigerators are designed to match the rest of Fisher & Paykel's kitchen appliance family.

### Ice maker

Fresh ice is always available for you in a dedicated freezer bin. Simply turn it off to free up freezer space or during busy times, you can boost ice production by up to 30%.

### Easy Cleaning

No more permanent dirty marks with our EZKleen feature for stainless steel refrigerators. Anti-fingerprint coating means you simply wipe clean any marks. Spill-safe secure glass shelves easily capture any drips or leaks.

### Simple storage

This refrigerator is designed to make it simple for you to store, access and remove food. Storage bins give you full access inside when they're pulled open and can be easily removed to clean. Our flexible shelving also gives you more storage options.

### Easy installation

Our integrated products are easy to install, whether you are renovating your kitchen or designing a new one. Our refrigerators are designed for minimal gaps with adjustable front and rear feet to allow for uneven floors alongside adjustable door panels that can be customized to match your kitchen.

## SPECIFICATIONS

### Accessories (sold separately)

Contemporary round handle	25380
Contemporary square handle	24639
Joiner kit	25703
Professional round handle kit	25794
Professional square handle kit	25796
Square fine aluminium handle	25856

Square fine black handle kit	<b>25903</b>
Stainless steel door panel	<b>25779 (80") or 25784 (84")</b>

Height	<b>79 7/8 "</b>
Width	<b>35 11/16 "</b>

**Capacity**

Freezer	<b>5.1cu ft</b>
Refrigerator	<b>11.7cu ft</b>

**Consumption**

Energy star rating	<b>Yes</b>
Energy usage	<b>534kWh/year</b>

**Freezer features**

- Automatic ice maker
- Bottle chill
- Fast freeze
- Ice Boost
- Large plastic bin

**Performance**

- ActiveSmart™ Foodcare
- ActiveSmart™ technology
- Adaptive defrost
- Automatic defrost
- Frost free freezer
- Humidity control system
- Inverter controlled compressor
- Sabbath mode

**Product dimensions**

Depth	<b>23 3/4 "</b>
-------	-----------------

**Refrigerator features**

Adjustable door shelves	<b>6</b>
Adjustable glass shelves	<b>3</b>
Covered door shelves	<b>2</b>
Deli storage bins	<b>1</b>
Door alarm	<b>•</b>
Fruit and vegetable bins	<b>2</b>
LED lighting	<b>•</b>
SmartTouch control panel	<b>•</b>
Soft close doors	<b>•</b>
Stackable bottle holders	<b>4</b>

**Warranty**

Parts and labor	<b>2 years</b>
Sealed system parts only	<b>5 years</b>

SKU	<b>25825</b>
-----	--------------

TEST The product dimensions and specifications in this page apply to the specific product and model. Under our policy of continuous improvement, these dimensions and specifications may change at any time. You should therefore check with Fisher & Paykel's Customer Care Centre to ensure this page correctly describes the model currently available. ? Fisher & Paykel Appliances Ltd 2020

**Other product downloads available at fisherpaykel.com**

- [↓](#) User Guide
- [↓](#) Service & Warranty Booklet
- [↓](#) Energy Label
- [↓](#) Installation Guide
- [↓](#) ActiveSmart™ Integrated Refrigerator Freezer Dual Installation Guide
- [↓](#) Resources (zip)



**A PEACE OF MIND SALE**

**24 Hours 7 Days a Week Customer Support**

**T 1.888.936.7872 W www.fisherpaykel.com**