

Freestanding Refrigerator Freezer, 32", 17.1 cu ft, Ice & Water

Series 7 | Contemporary

Black Stainless Steel | Right Hinge

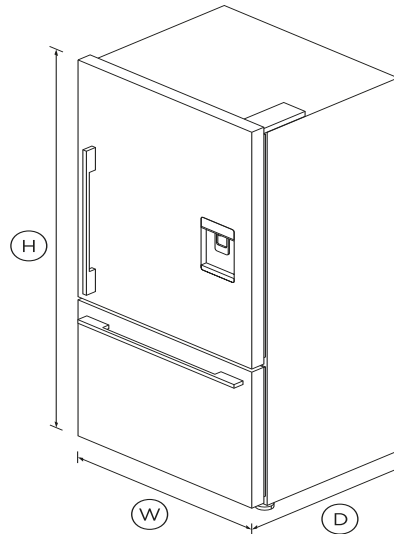


Sleek black stainless steel design, bringing a contemporary feel to your kitchen.

- ActiveSmart™ technology helps keep food fresher for longer by constantly maintaining the ideal temperature
- Door water dispenser and internal ice maker
- Spacious bottom freezer with full extension drawer gives easy access to frozen goods
- With brushed metal handles

DIMENSIONS

Height	67 ¹ / ₂ "
Width	31 ³ / ₃₂ "
Depth	27 ³ / ₈ "



FEATURES & BENEFITS

ActiveSmart™ Foodcare

ActiveSmart™ technology understands that the refrigerator door is the most opened in the house. It constantly adjust temperature, airflow and humidity, maintaining an optimum environment and helping keep food fresher for longer.

Clever energy

Your refrigerator adapts to daily use by cooling and defrosting only when needed. This means your refrigerator uses the energy

it needs without compromising on food care.

Easy to clean

No more dirty marks with our EZKleen feature for stainless steel refrigerators. Anti-fingerprint coating lets you simply wipe clean any finger marks. Spill-safe secure glass shelves easily capture any drips or leaks.

<<Missing Feature Title>>

Our refrigerators are designed and built using robust, quality materials, with stainless steel exteriors and solid glass for the interior shelving.

Humidity control

Your fruit and veges need different environments. The humidity control slides in each storage bin create a microclimate that helps keep food fresher for longer.

Ice maker

The internal ice maker delivers fresh ice to a dedicated freezer bin. Simply turn it off to free up freezer space or during busy times boost ice production by up to 30%.

Ultra slim water dispenser

The slimline water dispenser is easy to use. The angled water delivery means that almost any size or shape of vessel can be filled, while taking up no storage space in your refrigerator door.

SPECIFICATIONS

Accessories (sold separately)

Contemporary round handle	Part number 25379
Matching Replacement Water	Part number 847200

Capacity

Freezer	4.8cu ft
Refrigerator	12.3cu ft

Consumption

Energy usage **535kWh/year**

Freezer features

- Automatic ice maker •
- Bottle chill •
- Fast freeze •
- Ice Boost •
- Ice bin and scoop •
- Large plastic bins •
- Small plastic bins **2**

Performance

- ActiveSmart™ technology •
- Adaptive defrost •
- Frost free freezer •
- Humidity control system •
- Inverter controlled compressor •
- Sabbath mode •

Product dimensions

Depth **27 ³/₈ "**
 Height **67 ¹/₂ "**
 Width **31 ³/₃₂ "**

Refrigerator features

- Adjustable door shelves **4**
- Adjustable glass shelves **4**
- Covered door shelves **2**
- Door alarm •

- Front levelling feet •
- Fruit and vegetable bins **2**
- LED lighting •
- Rear rollers •
- SmartTouch control panel •
- Stackable bottle holders **4**
- Ultra slim water dispenser •




Warranty

Parts and labor **2 years**
 Sealed system parts only **5 years**

SKU **25607**

TEST The product dimensions and specifications in this page apply to the specific product and model. Under our policy of continuous improvement, these dimensions and specifications may change at any time. You should therefore check with Fisher & Paykel's Customer Care Centre to ensure this page correctly describes the model currently available. ? Fisher & Paykel Appliances Ltd 2020

Other product downloads available at fisherpaykel.com

-  User Guide
-  Service & Warranty Booklet
-  Installation Guide



A PEACE OF MIND SALE

24 Hours 7 Days a Week Customer Support

T 1.888.936.7872 Wwww.fisherpaykel.com