

# Freestanding French Door Refrigerator Freezer, 32", 17 cu ft

Series 7 | Contemporary

White

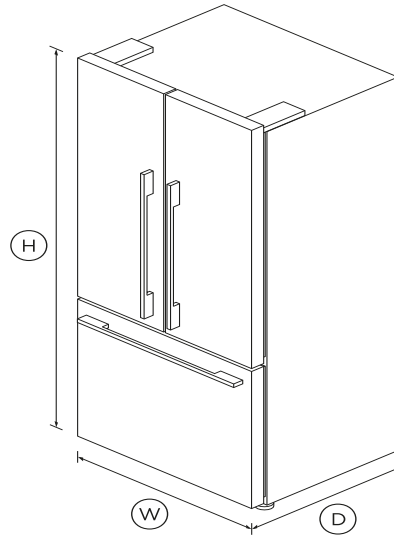


Designed for those who need plenty of flexible space for their cold and frozen food storage, with a classic white finish.

- ActiveSmart™ technology helps keep food fresher for longer by constantly maintaining the ideal temperature
- Spacious bottom freezer with full extension drawer gives easy access to frozen goods

## DIMENSIONS

Height	67 <sup>17</sup> / <sub>32</sub> "
Width	31 <sup>3</sup> / <sub>32</sub> "
Depth	27 <sup>3</sup> / <sub>8</sub> "



## FEATURES & BENEFITS

### ActiveSmart™ Foodcare

ActiveSmart™ Foodcare learns how you live. It's technology which understands how you use your fridge and adjusts temperature, airflow and humidity inside to help keep food fresher for longer.

### Simple storage

This refrigerator is designed to make it simple for you to store, access and remove food. Storage bins give you full access inside when they're pulled open and can be easily removed to clean.

Our flexible shelving also gives you more storage options.

### Easy cleaning

Spill-safe secure glass shelves easily capture any drips or leaks and prevent them from falling on items below.

### Clever energy

Your refrigerator adapts to daily use by cooling and defrosting only when needed. This means your refrigerator uses the energy it needs without compromising on food care.

### Design quality

Our refrigerators are designed and built using quality materials. We use pre-painted steel on our refrigerators and solid glass for shelving.

## SPECIFICATIONS

### Accessories (sold separately)

Contemporary round handle	25376
---------------------------	-------

### Capacity

Freezer	4.8cu ft
Refrigerator	12.1cu ft

### Consumption

Energy usage	501kWh/year
--------------	-------------

### Freezer features

Bottle chill	•
Fast freeze	•
Ice tray	1
Ice trays	1
Large plastic bin	•

Small plastic bins **2**

SKU **25097**

**Performance**

- ActiveSmart™ Foodcare •
- ActiveSmart™ technology •
- Adaptive defrost •
- Frost free freezer •
- Humidity control system •
- Sabbath mode •

TEST The product dimensions and specifications in this page apply to the specific product and model. Under our policy of continuous improvement, these dimensions and specifications may change at any time. You should therefore check with Fisher & Paykel's Customer Care Centre to ensure this page correctly describes the model currently available. ? Fisher & Paykel Appliances Ltd 2020

**Product dimensions**

Depth **27 <sup>3</sup>/<sub>8</sub> "**  
 Height **67 <sup>17</sup>/<sub>32</sub> "**  
 Minimum air clearance - at rear **1-<sup>3</sup>/<sub>16</sub>" "**  
 Minimum air clearance - each **<sup>13</sup>/<sub>16</sub>" "**  
 Width **31 <sup>3</sup>/<sub>32</sub> "**

**Refrigerator features**

Adjustable door shelves **6**  
 Adjustable glass shelves **3**  
 Covered door shelves **2**  
 Door alarm •  
 Fruit and vegetable bins **2**  
 SmartTouch control panel •  
 Stackable bottle holders **4**

**Warranty**

Parts and labor **2 years**  
 Sealed system parts only **5 years**

**Other product downloads available at fisherpaykel.com**

- [↓](#) User Guide
- [↓](#) Service & Warranty Booklet
- [↓](#) Installation Guide
- [↓](#) Installation Guide (Quick Reference)



**A PEACE OF MIND SALE**

**24 Hours 7 Days a Week Customer Support**

**T 1.888.936.7872 Wwww.fisherpaykel.com**