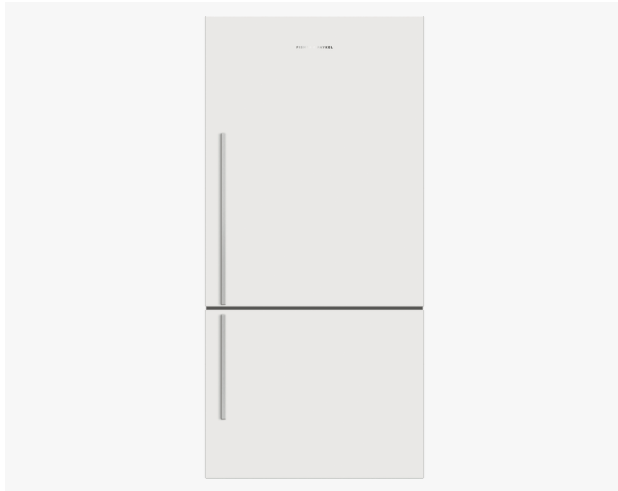


# Freestanding Refrigerator Freezer, 32", 17.5 cu ft

Series 7 | Contemporary

White | Right Hinge

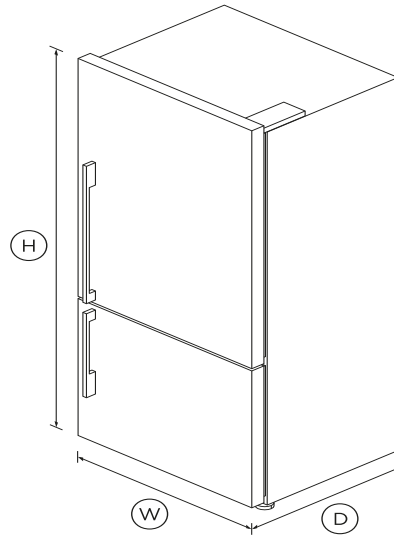


This white refrigerator with bottom freezer has large, flexible storage options for a busy household.

- ActiveSmart™ technology helps keep food fresher for longer by constantly maintaining the ideal temperature
- Spacious bottom freezer with easy-slide internal drawers to separate storage

## DIMENSIONS

Height	67 1/2 "
Width	31 1/8 "
Depth	27 3/8 "



## FEATURES & BENEFITS

### ActiveSmart™ Foodcare

Every time you open your refrigerator, the temperature around your food changes. ActiveSmart™ foodcare adjusts airflow to create a stable temperature, helping your food stay fresher for longer.

### Clever energy

Your refrigerator adapts to daily use by cooling and defrosting only when needed. This means your refrigerator uses the energy it needs without compromising on food care.

### Design quality

Our refrigerators are designed and built using quality materials. We use pre-painted steel on our refrigerators and solid glass for shelving.

### Simple storage

This refrigerator is designed to make it simple for you to store, access and remove food. Storage bins give you full access inside when they're pulled open and can be easily removed to clean. Our flexible shelving also gives you more storage options.

### Humidity control

Your fruit and veges need different environments. The humidity control slides in each storage bin create a microclimate that helps keep food fresher for longer.

## SPECIFICATIONS

### Capacity

Freezer	5.2cu ft
Refrigerator	12.3cu ft

### Consumption

Energy usage	454kWh/year
--------------	-------------

### Freezer features

Bottle chill	•
Fast freeze	•
Ice tray	2
Large plastic bin	•
Large plastic bins	•
Small plastic bins	2

### Performance

ActiveSmart™ Foodcare	•
ActiveSmart™ technology	•
Adaptive defrost	•
Frost free	•
Frost free freezer	•
Humidity control system	•
Inverter controlled compressor	•
Sabbath mode	•

Stackable bottle holders	2
--------------------------	---

**Warranty**

Parts and labor	2 years
Sealed system parts only	additional 3 years

SKU	25096
-----	-------

TEST The product dimensions and specifications in this page apply to the specific product and model. Under our policy of continuous improvement, these dimensions and specifications may change at any time. You should therefore check with Fisher & Paykel's Customer Care Centre to ensure this page correctly describes the model currently available. © Fisher & Paykel Appliances Ltd 2020

**Product dimensions**

Depth	27 <sup>3</sup> / <sub>8</sub> "
Height	67 <sup>1</sup> / <sub>2</sub> "
Minimum air clearance - at rear	1- <sup>3</sup> / <sub>16</sub> "
Minimum air clearance - each	<sup>13</sup> / <sub>16</sub> "
Minimum air clearance - on top	2" "
Width	31 <sup>1</sup> / <sub>8</sub> "

**Refrigerator features**

Adjustable door shelves	4
Adjustable glass shelves	4
Covered door shelves	2
Door alarm	•
Front levelling feet	•
Fruit and vegetable bins	2
Full extension runners	•
Full width door shelves	2
LED lighting	•
Rear rollers	•
SmartTouch control panel	•
Spill proof removable bins	•

**Other product downloads available at fisherpaykel.com**

- [↓](#) User Guide
- [↓](#) Service & Warranty Booklet
- [↓](#) Installation Guide
- [↓](#) Installation Guide (Quick Reference)
- [↓](#) Resources (zip)



**A PEACE OF MIND SALE**

24 Hours 7 Days a Week Customer Support

T 1.888.936.7872 **W**www.fisherpaykel.com