

Oven, 24", 9 Function, Self-cleaning

Series 7 | Minimal

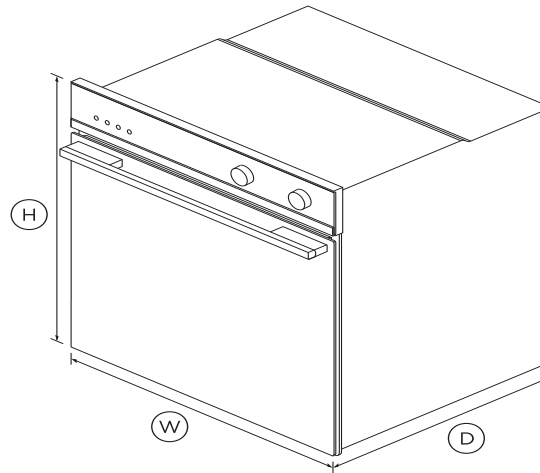
Black Glass



With a subtle black glass finish, this minimal-style oven has multiple functions to ensure every dish is cooked to perfection.

DIMENSIONS

Height	23 ⁹ / ₁₆
Width	23 ¹ / ₂
Depth	22 ¹ / ₄



FEATURES & BENEFITS

Generous capacity

With a generous sized internal cavity, you can create several dishes at once using multiple shelves.

Perfect Results

Our built-in ovens feature ActiveVent technology for optimized moisture levels, and AeroTech™ for even heat distribution. Get perfect results even when you're using multiple shelves.

Multi-function flexibility

Nine functions including Aero™ Pastry, Roast and Aero™Bake mean no matter what you're cooking, you've got the right heat to match.

Seamless fit

Designed to fit seamlessly in your kitchen, this built-in oven fits flush with cabinetry to minimize gaps and add to a cohesive aesthetic.

Cleaning is simple

The self-clean function breaks down food residue at a very high temperature, leaving a light ash that's easily removed with a damp cloth.

The Beauty of Choice

With the choice of stylish stainless steel or elegant black, you can choose the finish that complements your kitchen design best.

Safe and sound

The CoolTouch door features triple glazing and a cooling system that ensures it's safe to touch from the outside – protecting both your hands and the surrounding cabinetry.

SPECIFICATIONS

Accessories

Broil pan	•
Food probe	•
Full extension telescopic	•
Meat probe	•
Optional round handle	Part 81645
Pyrolytic proof shelf runners	1 set

Capacity

Shelf positions	6
Total capacity	3 cu ft
Usable capacity	2.5 cu ft

Cleaning

- Acid resistant graphite enamel •
- Pyrolytic proof shelf runners •
- Removable oven door •
- Removable oven door inner •
- Removable shelf runners •
- Self-clean •

Controls

- Audio feedback •
- Automatic cooking/minute •
- Automatic pre-set •
- Celsius/Fahrenheit •
- Electronic capacitive touch •
- Electronic clock •
- Electronic oven control •
- Precise electronic temperature •
- Sabbath mode •
- Soft close doors •
- Soft open and close door •
- Turned stainless dials with •

Functions

- Aero Bake •
- Aero Broil •
- Aero Pastry •
- Bake •
- Broil •

- Maxi Broil •
- Number of functions **9**
- Rapid proof •
- Roast •
- Self-clean function •
- True Aero •
- Vent bake •
- Warm •

Performance

- ActiveVent™ system •
- AeroTech™ technology •
- Automatic rapid pre-heat •
- Broil power **3000W**
- Whisper quiet cooking •

Power requirements

- Amperage **19A**
- Supply frequency **60Hz**
- Supply voltage **208 - 240V**

Product dimensions

- Depth **22 1/4**
- Height **23 9/16**
- Width **23 1/2**

Safety

- Advanced cooling system •
- Balanced oven door •
- Catalytic venting system •

- Control panel key lock •
- Non-tip shelves •

SKU 82151

The product dimensions and specifications in this page apply to the specific product and model. Under our policy of continuous improvement, these dimensions and specifications may change at any time. You should therefore check with Fisher & Paykel's Customer Care Centre to ensure this page correctly describes the model currently available. ? Fisher & Paykel Appliances Ltd 2020

Other product downloads available at fisherpaykel.com



User Guide



Service & Warranty Booklet



Installation Guide



Resources (zip)



A PEACE OF MIND SALE

24 Hours 7 Days a Week Customer Support

T 1.888.936.7872 **W**www.fisherpaykel.com