

Oven, 24", 11 Function, Self-cleaning

Series 9 | Minimal

Black Glass



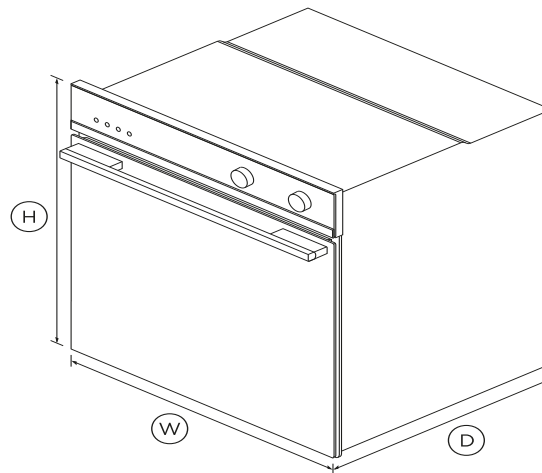
With a subtle black glass finish, this minimal-style oven has multiple functions to ensure every dish is cooked to perfection.

- Eleven oven functions including Aero™ Pastry, Roast and Rapid Proof Self-cleaning function breaks down food residue for an easy clean Moisture control and even heat distribution thanks to ActiveVent™ and AeroTech technology Non-tip, full-extension sliding shelves for safe removal of hot dishes
- Self-cleaning function breaks down food residue for an easy clean
- Moisture control and even heat distribution thanks to ActiveVent™ and AeroTech technology

- Non-tip, full-extension sliding shelves for safe removal of hot dishes

DIMENSIONS

Height	23 9/16"
Width	23 1/2"
Depth	22 1/4"



SPECIFICATIONS

Accessories

Baking pan	1
Food probe	1
Full extension telescopic	•
Meat probe	1

Optional round handle	Part 81645
Step down wire shelf	1

Capacity

Shelf positions	6
Total capacity	3cu ft
Usable capacity	2.5cu ft

Cleaning

- Acid resistant graphite enamel
- Drop down grill element
- Easy clean enamel interior
- Easy clean glass inner door
- Easy clean stainless steel
- Easy to clean formed side
- Fat filter
- Removable oven door
- Removable oven door inner
- Removable shelf runners
- Self-clean

Controls

- Audio feedback
- Automatic cooking/minute
- Automatic pre-set
- Celsius/Fahrenheit
- Electronic capacitive touch
- Electronic clock
- Electronic oven control
- Precise electronic temperature

- Sabbath mode •
- Soft close doors •
- Soft open and close door •
- Turned stainless dials with •

Functions

- Aero Bake •
- Aero Broil •
- Aero Pastry •
- Bake •
- Broil •
- Maxi Broil •
- Number of functions **11**
- Rapid proof •
- Roast •
- Self-clean function •
- True Aero •
- Vent bake •
- Warm •
- Warm •

Performance

- ActiveVent™ system •
- AeroTech™ technology •
- Automatic rapid pre-heat •
- Broil power **3200W**
- Whisper quiet cooking •

Power requirements

- Supply frequency **60Hz**

Supply voltage **208 - 240V**

Product dimensions

Depth **22 1/4"**
 Height **23 9/16"**
 Width **23 1/2"**

Safety

- Advanced cooling system •
- Balanced oven door •
- Catalytic venting system •
- Control panel key lock •
- Non-tip shelves •

SKU **82150**

The product dimensions and specifications in this page apply to the specific product and model. Under our policy of continuous improvement, these dimensions and specifications may change at any time. You should therefore check with Fisher & Paykel's Customer Care Centre to ensure this page correctly describes the model currently available. ? Fisher & Paykel Appliances Ltd 2020

Other product downloads available at fisherpaykel.com

- [↓](#) User Guide
- [↓](#) User Guide
- [↓](#) Installation Guide
- [↓](#) Data Sheet Oven



A PEACE OF MIND SALE

24 Hours 7 Days a Week Customer Support

T 1.888.936.7872 Wwww.fisherpaykel.com