

# Gas Range, 30", 4 Burners

Series 7 | Classic

Stainless Steel

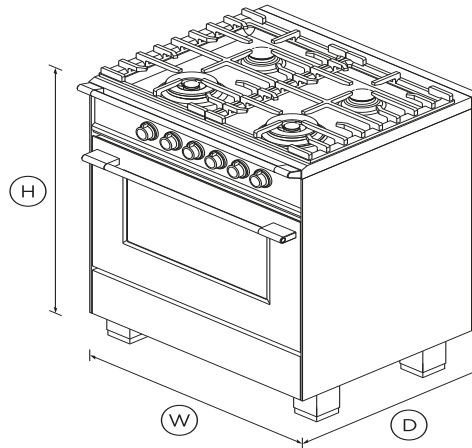


Create a striking classic kitchen. Your freestanding range has a spacious oven capacity and four gas burners for precise control.

- Four burner gas cooktop with two dual wok burners
- Gas oven with 3.5 cu ft total capacity
- Three oven functions: Bake, Convection Bake and Maxi Broil

## DIMENSIONS

Height	35 3/4 - 37 5/8"
Width	29 7/8"
Depth	25 1/4"



## FEATURES & BENEFITS

### Design quality

This range has been carefully crafted in every detail from performance to durability using quality materials including the balanced soft-close door and rounded hob rail.

### Large capacity oven

The generous 3.5 cu.ft total capacity oven gives you plenty of space to cook multiple dishes at once, with enough room to fit a 26 lb turkey.

### Performance power

Precise cooktop controls let you sear or stir fry over instant, powerful heat. Use the high burner power or simmer a delicate sauce using the gentlest of heats.

### Easy cleaning

With its durable surface, your cooktop simply needs a quick wipe after cooking to keep it looking good as new for years to come.

## SPECIFICATIONS

### Accessories

2-pc grill system (Broil pan and	•
Broil pan	•
Chromed shelf runners	1 set
Full Extension Telescopic	2 sets (part 578776)
Hob rear trim	3 1/8" (part 81657)
Kick strip, stainless steel	Part 81660
Small pot support	1 (part 533981 cast)

### Cleaning

Acid resistant graphite enamel	•
Removable oven door	•
Removable shelf runners	•

### Controls

Laser etched graphics	•
-----------------------	---

### Gas Requirements

Supply Pressure (LPG)	11" W.C.P
Supply Pressure (natural gas)	4" W.C.P

**Oven features**

Auto re-ignition system	•
Concealed element	•
Convection	•
Electronic ignition	•
Full extension telescopic	•
Internal light	2 x 25W halogen (rear)
Soft open/close door	•
Storage drawer	•

**Oven functions**

Convection bake	•
Number of functions	3

**Oven performance**

CoolTouch door	Triple glazed
----------------	---------------

**Power requirements**

Amperage	1A
Supply frequency	60Hz

**Product dimensions**

Depth	25 1/4"
Height	35 3/4 - 37 5/8"
Width	29 7/8"

**Rangetop features**

Hob rail	•
Hob rear trim	3 1/8" (part 81657)
LPG/Natural gas compatible	•

Sealed range top	•
------------------	---

**Rangetop Performance**

Number of burner elements	4
---------------------------	---

**Safety**

Advanced cooling system	•
Anti-tilt bracket	•
Balanced oven door	•
Full extension telescopic	•
Non-tip shelves	•
Spill containment	12 BTU

SKU	81712
-----	-------

The product dimensions and specifications in this page apply to the specific product and model. Under our policy of continuous improvement, these dimensions and specifications may change at any time. You should therefore check with Fisher & Paykel's Customer Care Centre to ensure this page correctly describes the model currently available. ? Fisher & Paykel Appliances Ltd 2020

**Other product downloads available at fisherpaykel.com**

- [↓](#) User Guide
- [↓](#) Installation Guide
- [↓](#) Installation Guide
- [↓](#) Data Sheet Gas Range



**A PEACE OF MIND SALE**

**24 Hours 7 Days a Week Customer Support**

**T 1.888.936.7872 Wwww.fisherpaykel.com**