

FISHER & PAYKEL

DATA SHEET

Integrated Refrigerator & Integrated Freezer, 24"

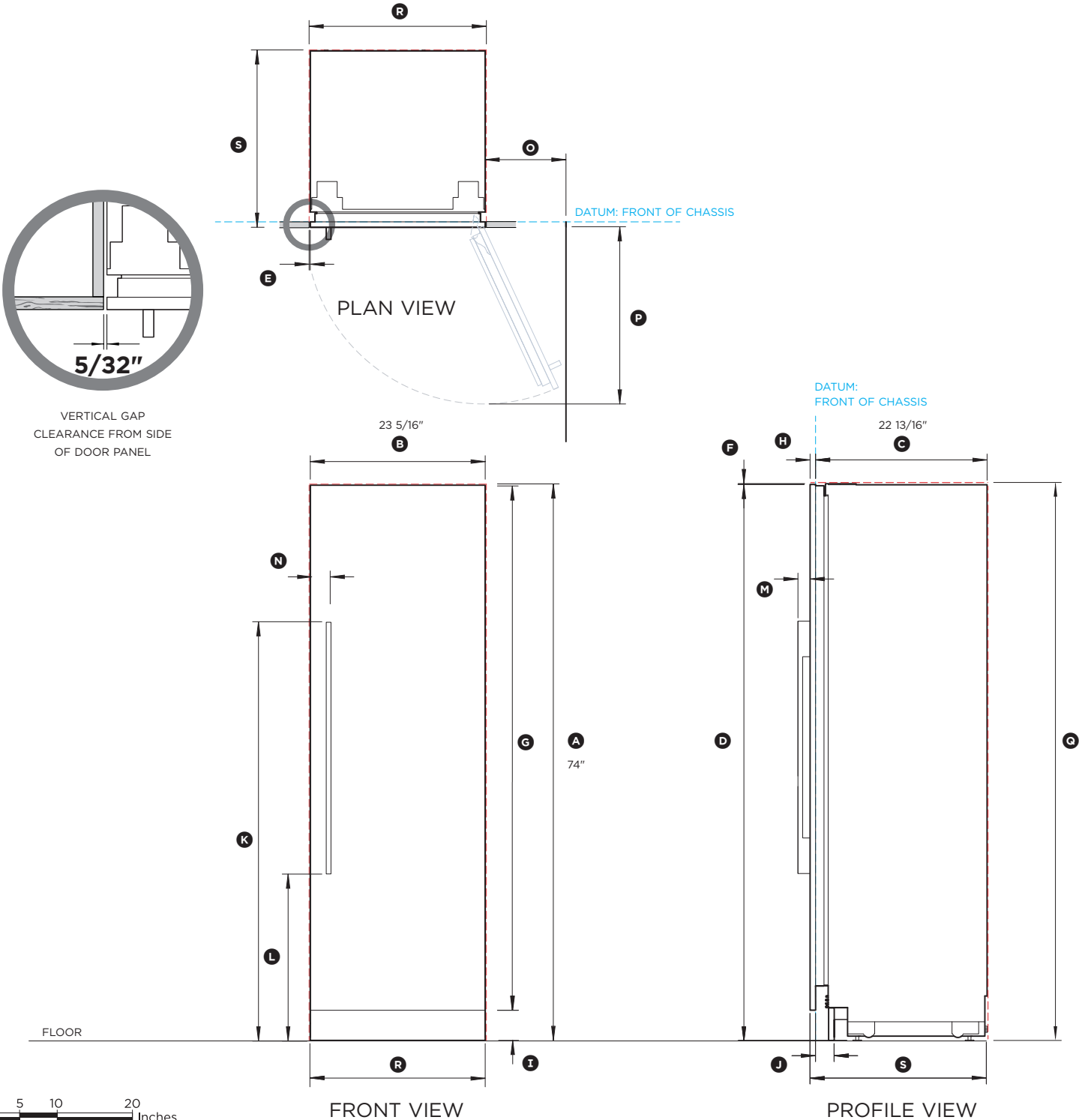
Model No:

RS2474S3RH1 Refrigerator with Stainless Steel Panels RD2474R, Handle Kit AHD5RDS74 and Stainless Steel Toe Kick Panel AKRS2304

NOTE: Left hand hinge is a mirrored version of the image shown. Left hand hinge can be achieved using supplied parts. Please refer to Installation Guide for details.

RS2474F3LJ1 Freezer with Stainless Steel Panels RD2474L, Handle Kit AHD5RDS74 & Stainless Steel Toe Kick Panel AKRS2304

(refer page 2 for metric measurements)



Product Dimensions	in
Ⓐ Overall height of product	74
Ⓑ Overall width of product	23 5/16
Ⓒ Overall depth of product (excl. front door panels)	22 13/16
Ⓓ Height from top of door panel to floor	73 7/8
Ⓔ Minimum cabinetry clearance from side of door panel	5/32
Ⓕ Minimum cabinetry clearance from top of door panel	1/8
Ⓖ Height of door panel	69 7/8
Ⓗ Depth of door panel	3/4
Ⓙ Height from floor to bottom of bottom door panel	4
Ⓚ Depth of toe kick recess (excl. front door and toe kick panels)	2 - 4
Ⓛ Height from floor to top of handle	55 11/16
Ⓜ Height from floor to bottom of handle	22 3/16
Ⓝ Depth of handle	1 5/8
Ⓞ Distance from centre of handle to side of door panel	2 7/16
Ⓟ Minimum door clearance to adjacent wall (115° - full internal access)	10 3/4
Ⓠ Depth of door (90° open, measured from front of cabinetry)	23 5/8

Cavity Dimensions	in
Ⓒ Overall height of cavity	74
Ⓑ Overall width of cavity	23 5/8
Ⓟ Minimum overall depth of cavity:	
• When services are located outside of cavity (shallow)	23 5/8
• When services are located in the cabinet above the cavity	24
• When services are located at rear of cavity (deep)	25 9/16

Note: Product shown installed on the floor. Slide into cabinetry position. Alternatively can be installed on a plinth. Adjust your cavity height accordingly.

INDICATES CAVITY CLEARANCES -----
INDICATES PRODUCT DATUM - - - - -

DATE: 25.06.2022

IMPORTANT NOTE: Throughout this guide, dimensions may vary by ±2mm (1/16"). Please read the Installation Guide for detailed information on installing the product. For full installation instructions & specifications visit fisherpaykel.com

FISHER & PAYKEL

DATA SHEET

Integrated Refrigerator & Integrated Freezer, 24"

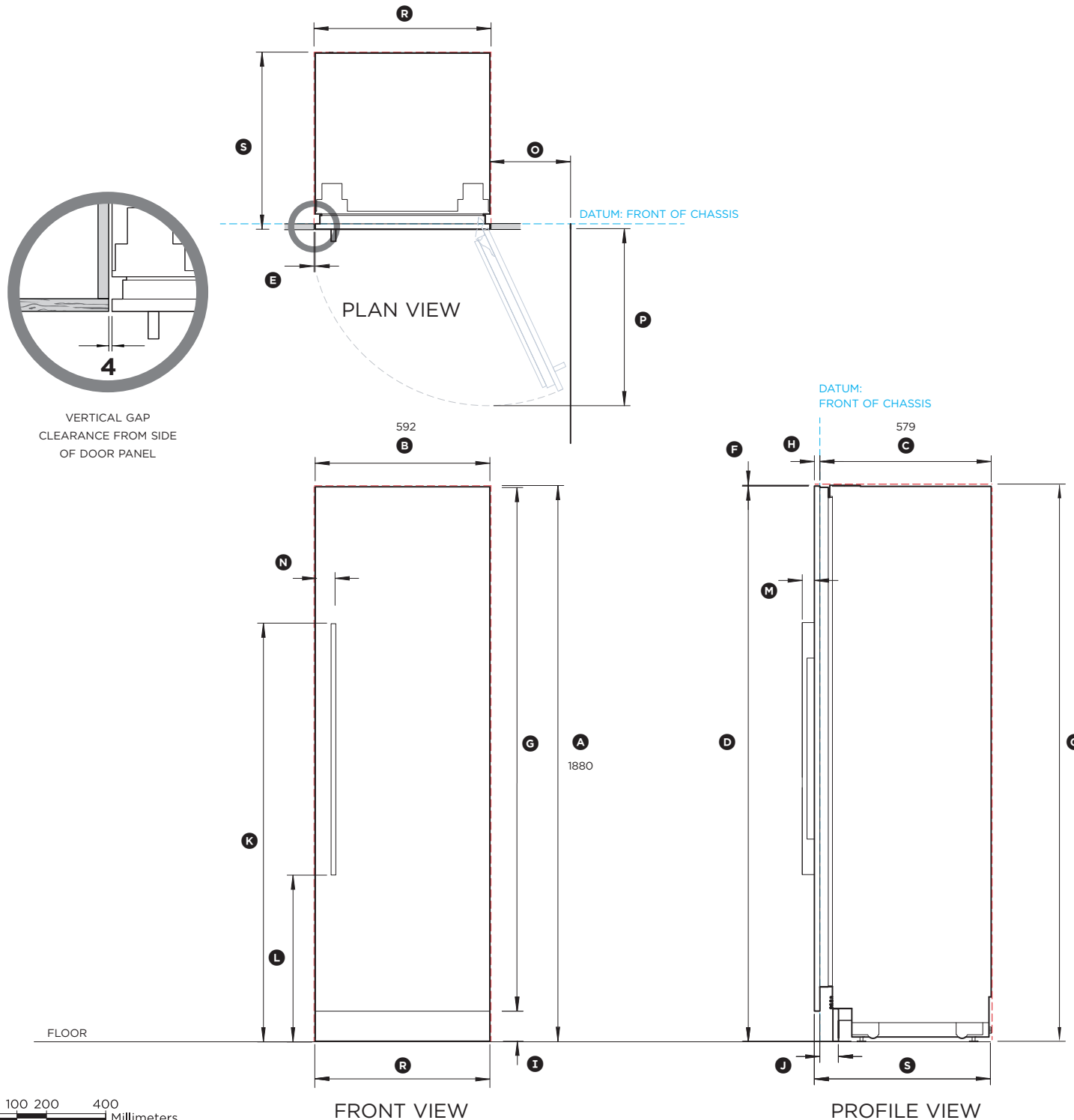
Model No:

RS2474S3RH1 Refrigerator with Stainless Steel Panels RD2474R, Handle Kit AHD5RDS74 and Stainless Steel Toe Kick Panel AKRS2304

NOTE: Left hand hinge is a mirrored version of the image shown. Left hand hinge can be achieved using supplied parts. Please refer to Installation Guide for details.

RS2474F3LJ1 Freezer with Stainless Steel Panels RD2474L, Handle Kit AHD5RDS74 & Stainless Steel Toe Kick Panel AKRS2304

(refer page 1 for imperial measurements)



Product Dimensions	mm
Ⓐ Overall height of product	1880
Ⓑ Overall width of product	592
Ⓒ Overall depth of product (excl. front door panels)	579
Ⓓ Height from top of door panel to floor	1877
Ⓔ Minimum cabinetry clearance from side of door panel	4
Ⓕ Minimum cabinetry clearance from top of door panel	3
Ⓖ Height of door panel	1775
Ⓗ Depth of door panel	19
Ⓙ Height from floor to bottom of bottom door panel	102
Ⓚ Depth of toe kick recess (excl. front door and toe kick panels)	50 - 100
Ⓛ Height from floor to top of handle	1415
Ⓜ Height from floor to bottom of handle	563
Ⓝ Depth of handle	41
Ⓞ Distance from centre of handle to side of door panel	62
Ⓟ Minimum door clearance to adjacent wall (115° - full internal access)	273
Ⓠ Depth of door (90° open, measured from front of cabinetry)	600

Cavity Dimensions	mm
Ⓒ Overall height of cavity	1880
Ⓑ Overall width of cavity	600
Ⓟ Minimum overall depth of cavity:	
• When services are located outside of cavity (shallow)	600
• When services are located in the cabinet above the cavity	610
• When services are located at rear of cavity (deep)	650

Note: Product shown installed on the floor. Slide into cabinetry position. Alternatively can be installed on a plinth. Adjust your cavity height accordingly.

INDICATES CAVITY CLEARANCES - - - - -
INDICATES PRODUCT DATUM - - - - -

DATE: 25.06.2022

IMPORTANT NOTE: Throughout this guide, dimensions may vary by ±2mm (1/16"). Please read the Installation Guide for detailed information on installing the product. For full installation instructions & specifications visit fisherpaykel.com