

**COMPANION COFFEE MAKER
ACCESSORY 30"/76CM TRIM KIT**

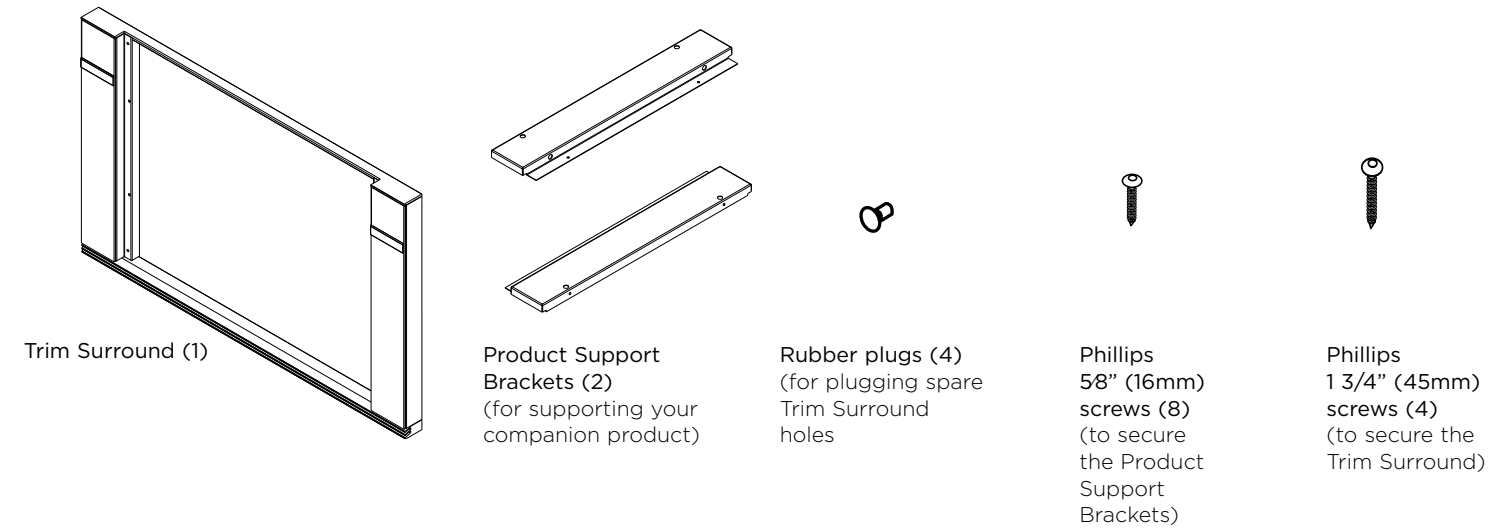
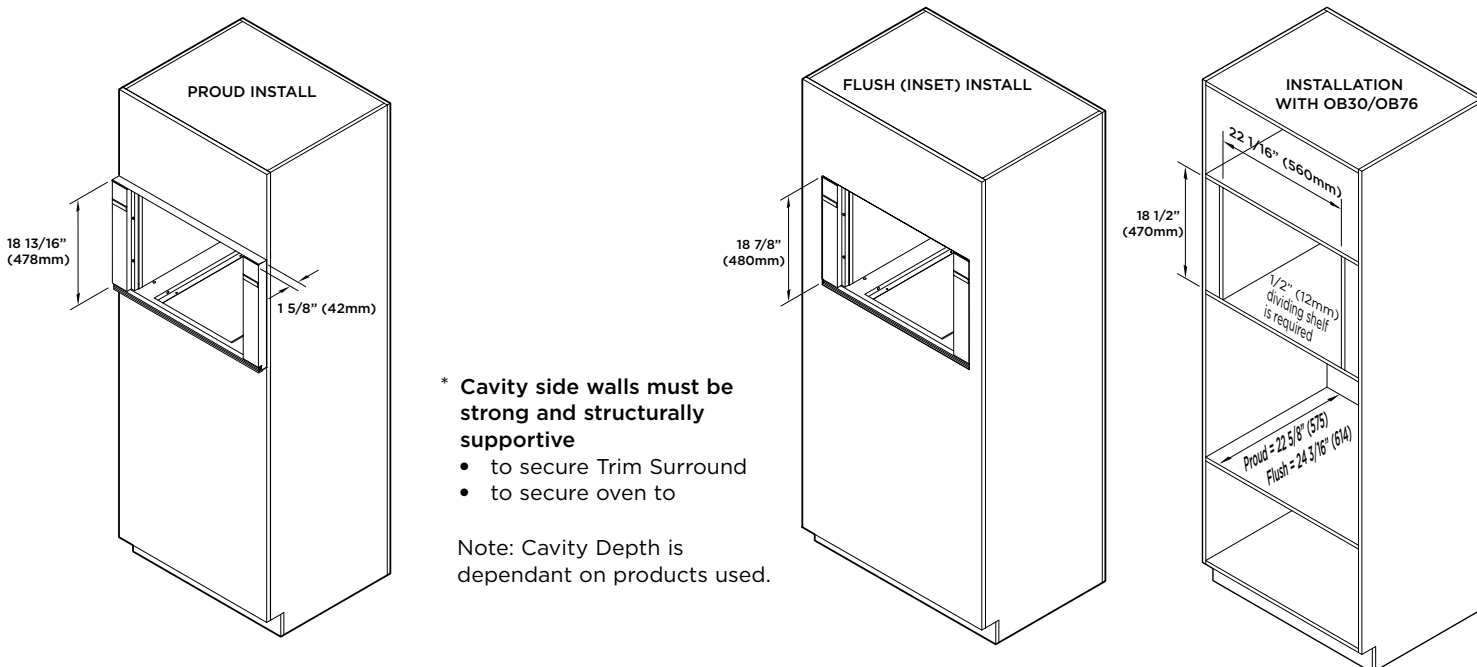
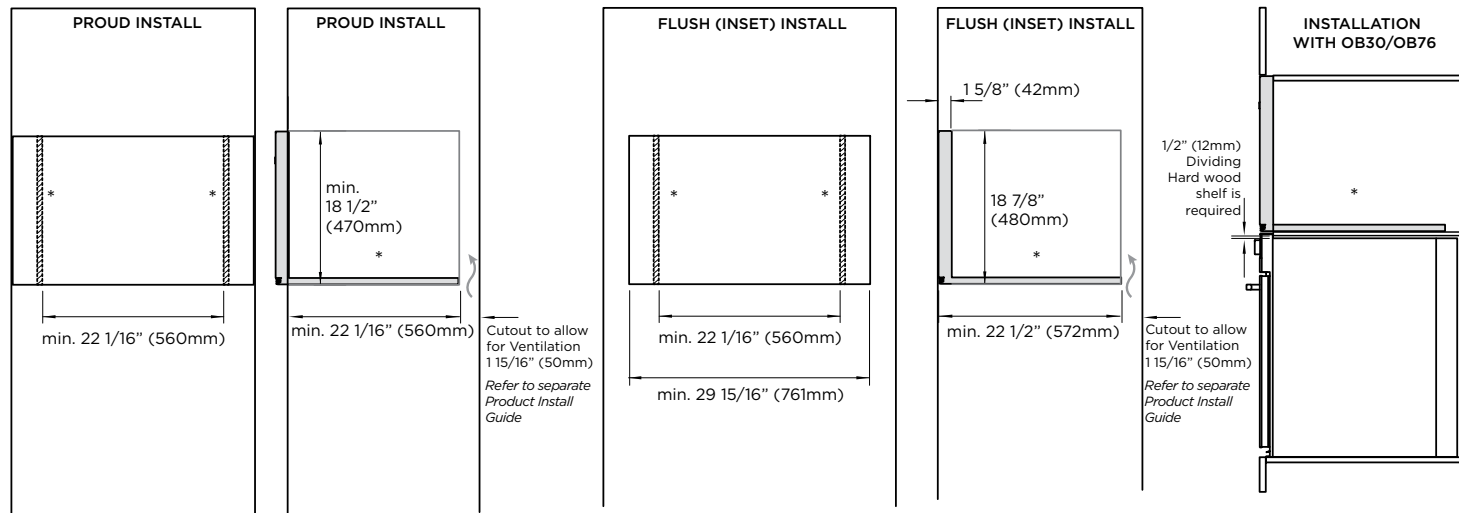
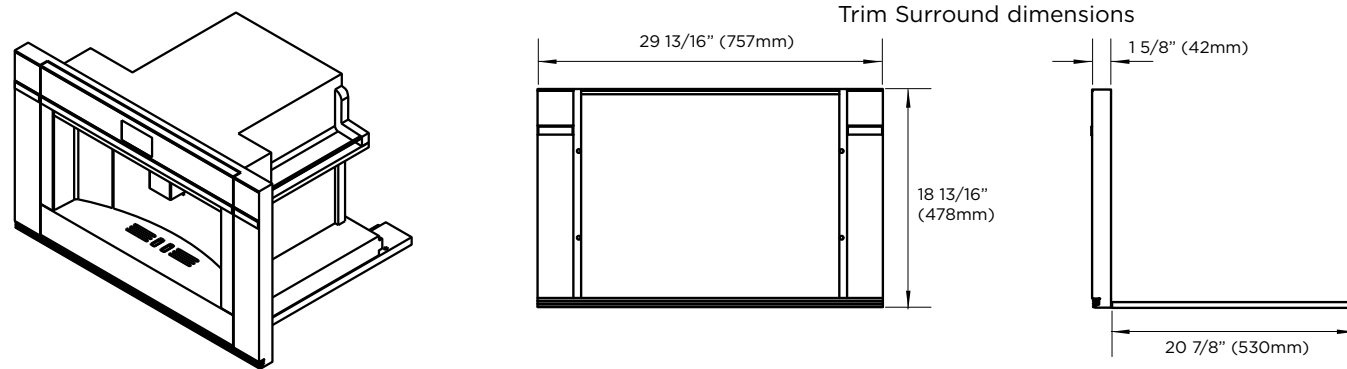
US CA NZ AU

Keep this document handy for easy reference.

- This Trim Kit is designed to complement your companion product if installing into 30" (760mm) wide cabinetry.
- For contact information or if you require service, assistance or replacement parts, see your 'Service & warranty' booklet.

This Trim Kit is designed to be installed ONLY with the FISHER & PAYKEL
 - Companion Coffee Maker EB24DSX/EB60DSX
 - or in combination with OB30/OB76 Ovens

1 CABINETRY SPECIFICATION

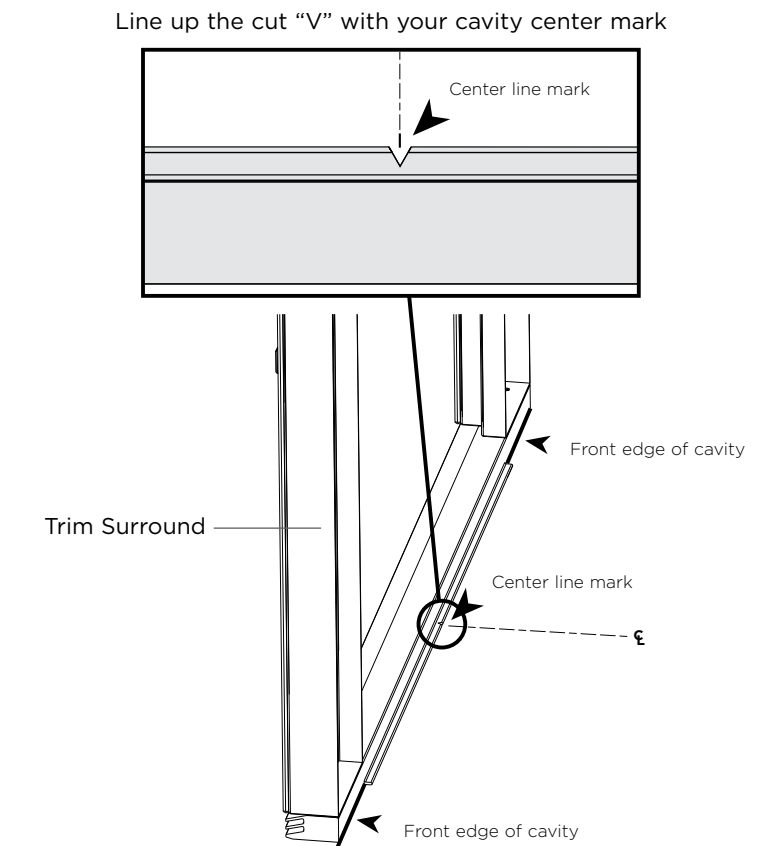


3 POSITION TRIM SURROUND ON CABINETRY

IMPORTANT!
 • Ensure all packaging and protective film is removed from the Trim Surround before installing.

- 1 Mark the center of your cavity at the front.
- 2 Mount the Trim Surround with the small lip resting flat on the front edge of the cabinetry shelf.
- 3 Center the Trim Surround by lining up the small cut "V" in the lip with your center mark from Step 1.

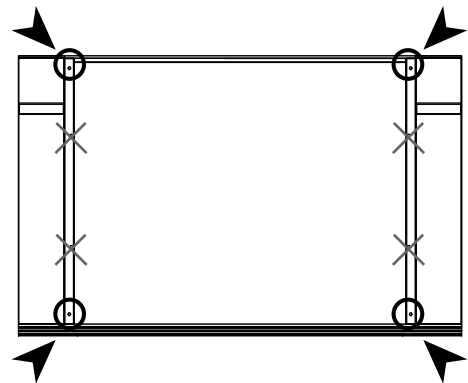
Note: If installing Coffee Maker above an Oven, ensure both products are centered and aligned in the cabinetry.



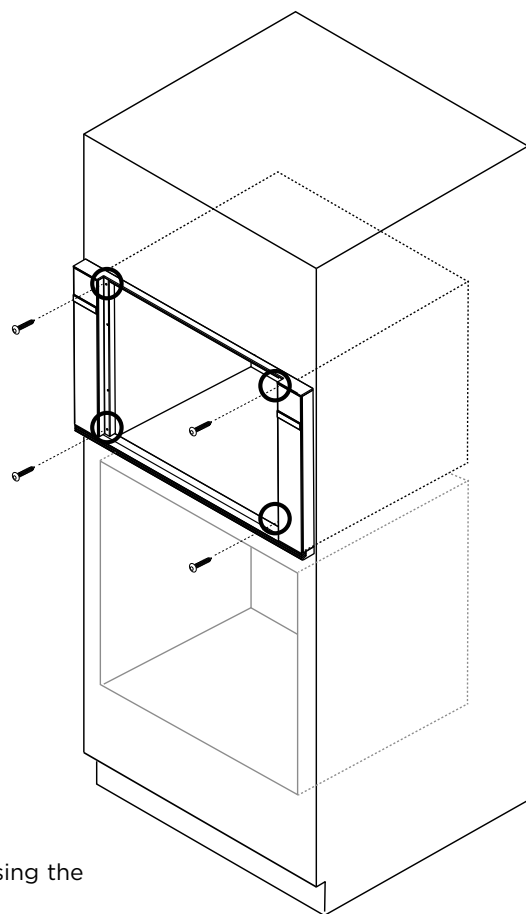
4 SCREW THE TRIM SURROUND ONTO THE CABINETRY

Using the 4 supplied screws, secure the Trim Surround to the cabinetry in the correct hole positions, as shown. Pre-drill as necessary to avoid splitting the wood.

IMPORTANT!
Do not screw through either center holes in the Trim Surround.



Secure the Trim Surround using the screw hole locations shown

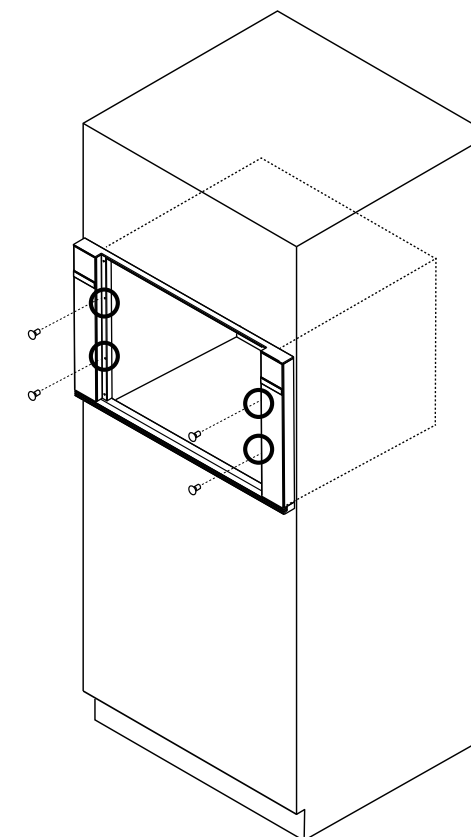
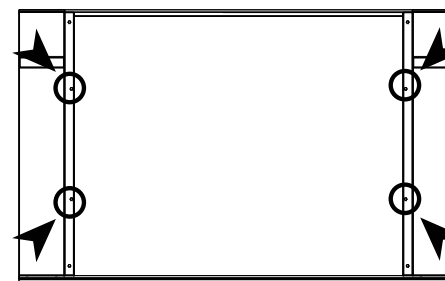


6 FIT THE FOUR RUBBER HOLE PLUGS

Fit the 4 supplied rubber plugs into the Trim Surround in the correct hole positions, as shown.

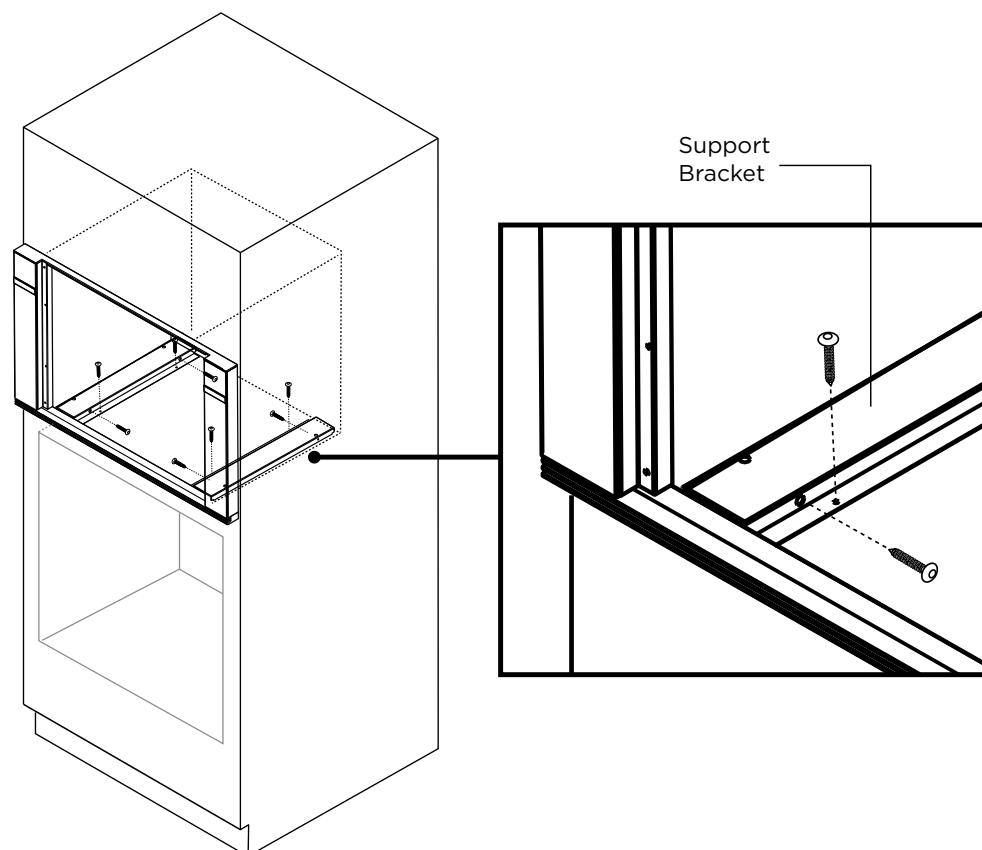


x4

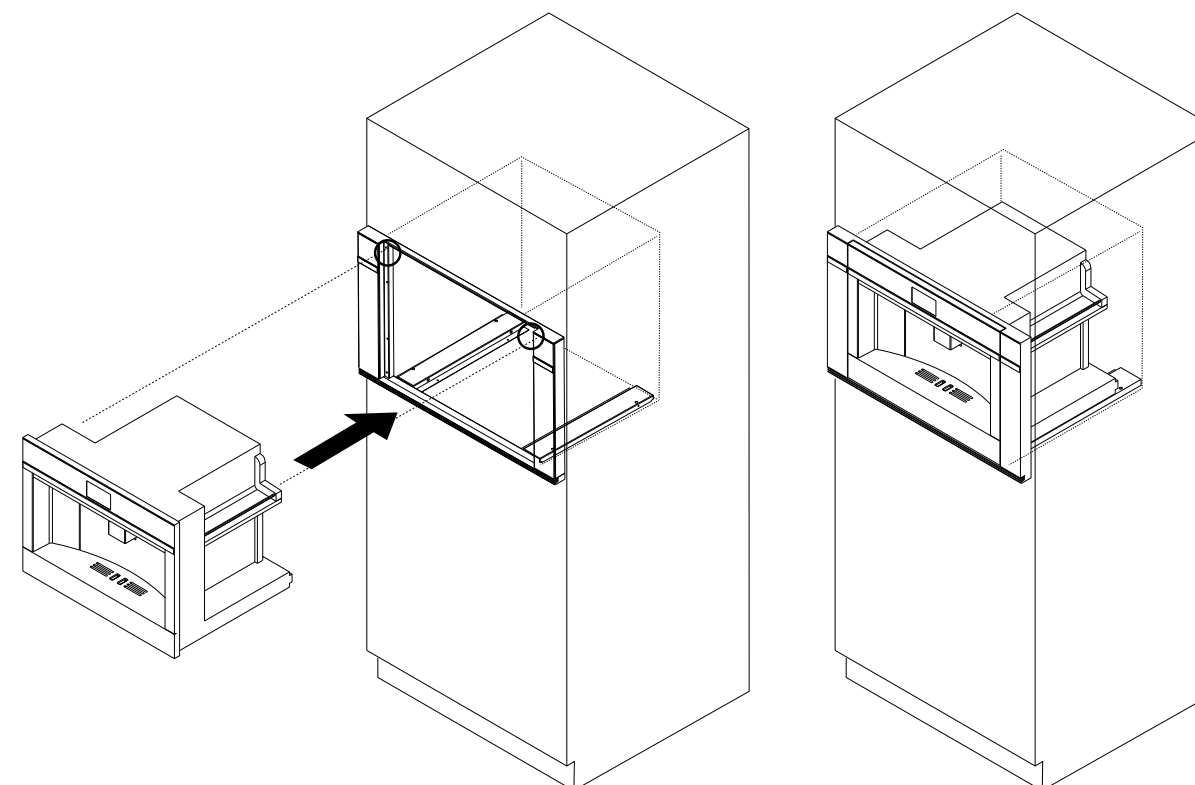


5 SECURE THE TWO SUPPORT BRACKETS IN THE CAVITY

- ① Position left and right support brackets as shown inside, against the walls of the cavity. We recommend butting the brackets up against the rear frame of the Trim Surround.
- ② Secure through front and rear hole locations on both brackets using the screws supplied.



7 INSTALL YOUR COFFEE MAKER (REFER TO SEPARATE INSTRUCTIONS SUPPLIED WITH COFFEE MAKER)



- ① Install your Coffee Maker as per it's installation instructions. Ensure the slides are secured correctly
- ② Position your Coffee Maker in the cavity. Ensure the Coffee Maker and Trim Kit are correctly aligned and the Coffee Maker can open and close freely, before securing.