

# FISHER & PAYKEL

## BUILT-IN COFFEE MAKER

---

**PROFESSIONAL**  
EB30PSX1 models

**INSTALLATION GUIDE**  
US CA



**⚠ WARNING!**



**Electric Shock Hazard**

**Failure to follow this advice may result in electrical shock or death.**

- Before carrying out any work on the electrical section of the appliance, it must be disconnected from the mains electricity supply.
- Connection to a good ground wiring system is absolutely essential and mandatory.
- Alterations to the domestic wiring system must only be made by a qualified electrician.

**⚠ WARNING!**



**Cut Hazard**

**Failure to use caution could result in injury.**

- Take care - some edges are sharp.

**⚠ WARNING!**



**Fire Hazard**

**Failure to follow this advice may result in a fire causing death or serious injury.**

- Do not use adapters, reducers, or branching devices to connect this appliance to the mains power supply.

**WARNING!**

To reduce the risk of fire, injury to persons or damage when using the appliance, follow the important safety instructions listed below. Read all the guidance before using the appliance.

**Servicing**

- Do not repair or replace any part of the appliance unless specifically recommended in the user guide. All other servicing should be undertaken by a Fisher & Paykel trained and supported service technician or qualified person.

**General**

- Before connecting the appliance to the electrical supply make sure that the voltage and frequency listed on the data plate correspond with the household electrical supply. If in doubt, consult a qualified technician.
- The appliance must be properly installed before operation to ensure that no electrical components are accessible. Ensure that power is not supplied to the appliance while installation work, repairs or maintenance is performed.
- Be certain your appliance is properly installed and grounded by a qualified technician. To guarantee the electrical safety of this appliance, continuity must exist between the appliance and effective grounding system. It is imperative that this basic safety requirement be met. If there is any doubt, have the electrical system of the house checked by a qualified electrician. The manufacturer cannot be held responsible for damages caused by the lack, or inadequacy, of an effective grounding system.
- Do not use an extension cord to connect the appliance to electricity. Extension cord doesn't guarantee the required safety of the appliance (danger of overheating).
- Install or locate this appliance only in accordance with the provided installation instructions.
- Installation work and repairs must be only performed by a trained technician in accordance with national and local safety regulations. Repairs and other work by unauthorized persons could be dangerous and may void the warranty.
- Only use original spare parts. Only then can the manufacturer guarantee the safety of this machine.
- Never open the outer casing of the appliance. Tampering with electrical connections or components and mechanical parts is dangerous and may cause machine damage.
- If the machine is installed in combination with other appliances, a protective base should be installed between the appliance and the unit.
- Do not install or use outdoors even if installed in the display cabinet.
- To protect against fire, electric shock and injury to persons do not submerge the cord or plugs in water or other liquids.
- To reduce the risk of injury, do not drape cord over the counter top or table top where it can be pulled on by children or tripped over unintentionally.
- Do not let the cord hang over the edge of a table or counter, or touch hot surfaces.
- Do not operate any appliance with a damaged cord or plug, or after the appliance malfunctions or has been damaged in any manner.
- Return appliance to an authorized service facility for examination, repair or adjustment.
- To disconnect turn the machine off, switch off the main switch then remove the plug from the wall outlet.
- Do not allow children and animals to stop or linger near the appliance when it is pulled out of the cabinet.
- Do not leave the machine pulled out of the cabinet when it is being used.
- Do not leave the machine pulled out of the cabinet when it is not needed.
- Install the machine according to the instructions in the handbook to guarantee there are no spills when it is pulled out from the cabinet.
- The rails fixing panel must have a thickness suited to the fixing screws supplied standard.
- The panel material must be suited to the machine weight of approximately 55lb (25kg).

**SAVE THESE INSTRUCTIONS**

The models shown in this installation guide may not be available in all markets and are subject to change at any time. For current details about model and specification availability in your country, please go to our website [www.fisherpaykel.com](http://www.fisherpaykel.com) or contact your local Fisher & Paykel dealer.

## INSTALLATION CONSIDERATIONS

### PRIOR TO INSTALLATION

#### Prior to installing your coffee maker, ensure the following:

- The countertop and coffee maker cavity are square and level, and are the required dimensions.
- The installation will comply with all clearance requirements and applicable standards and regulations.
- The isolating switch will be easily accessible to the customer with the coffee maker installed.
- The electrician provides sufficient free length of power supply cable to reach from the bottom rear of the cavity to at least 59 1/16" (1.5m) in front of the bottom edge of the opening.
- The cable may enter the cavity from the side, top or bottom, but top entry must be at the rear of the cavity.
- The coffee maker connection socket (if fitted) is outside the cavity if the appliance is flush to the rear wall.
- The coffee maker will rest on a surface that can support its weight.
- The height from the floor suits the customer.
- You consult local building authorities and by-laws if in doubt regarding installation.

### WARNING!

Some environmental factors and cooking habits can cause condensation in and around the coffee maker during use. To protect surrounding cabinetry from possible damage caused by frequent or excessive condensation, we recommend moisture-proofing the oven cavity.

### DURING INSTALLATION

#### During installation, please ensure the following:

- The coffee maker can be used fully without obstruction.
- The power supply cable does not touch any hot metal parts.
- The isolating switch is easily accessible to the customer with the coffee maker installed.
- You complete the 'Final checklist' at the end of the installation.
- If, after following the instructions given, correct performance cannot be achieved, please contact your nearest Fisher & Paykel Service Centre, Customer Care, or contact us through our local website listed at the end of this document.

### WARNING!

Take extra care not to damage the lower trim of the coffee maker during installation. The trim is important for correct air circulation and allows the coffee maker to move without obstruction.

The manufacturer does not accept any responsibility for damage resulting from incorrect installation.

- The coffee maker must be installed in a column and the column must be firmly fixed to the wall with commercially available brackets.
- The cabinet material must be able to withstand heat.
- To guarantee correct ventilation, leave a gap in the cabinet according to the measurements under cabinetry dimensions.

## COMPONENTS REQUIRED

### PARTS SUPPLIED

- Keep all packing materials until the unit has been inspected.
- Inspect the product to ensure there is no shipping damage. If any damage is detected contact the dealer or retailer you bought the product from to report the damage.
- Fisher & Paykel is not responsible for shipping damage.

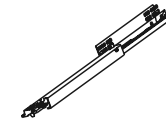
#### Supplied



Mounting screws  
(28)



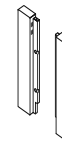
Spacers  
(4 for side)  
(4 for bottom)



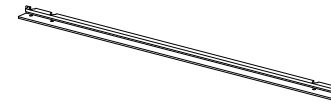
Rails (2)



Clip (1)



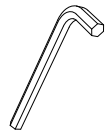
Side trims (2)



Lower trim (1)



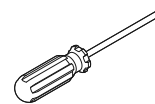
Side/lower trim  
screws (10)



3mm hex  
key (1)

### TOOLS REQUIRED

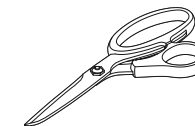
#### Not supplied



Crosshead  
screwdriver

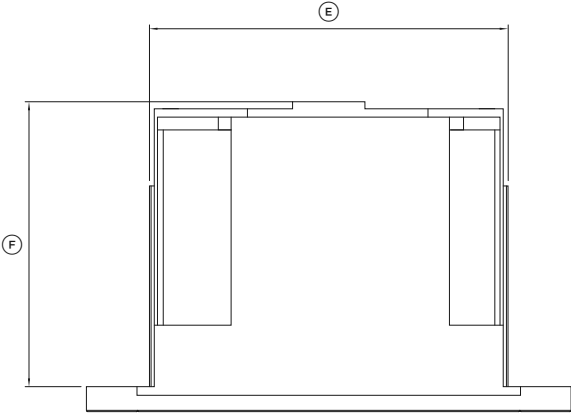


Power drill

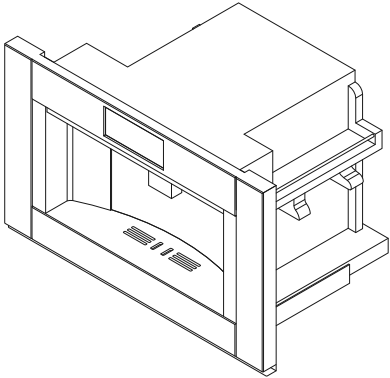


Scissors

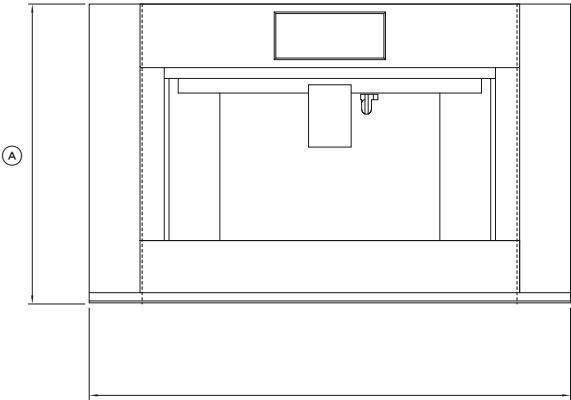
**PRODUCT DIMENSIONS**



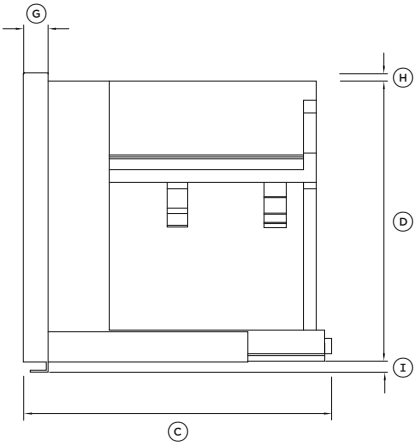
**PLAN**



**ISOMETRIC**



**FRONT**



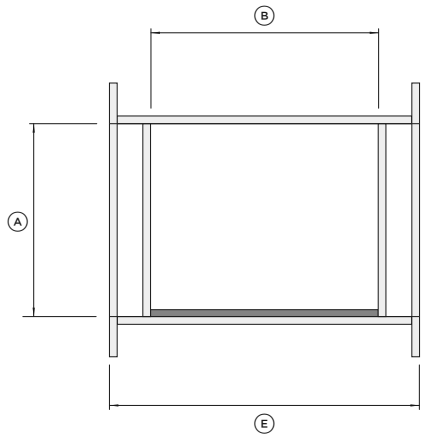
**PROFILE**

PRODUCT DIMENSIONS	EB30 MODELS	
	INCHES	MM
Ⓐ Overall height	18 1/2	470
Ⓑ Overall width	29 13/16	757
Ⓒ Overall depth	19 1/16	484
Ⓓ Height of chassis	17 3/8	442
Ⓔ Width of chassis	22 1/16	560
Ⓕ Depth of chassis	17 1/2	445
Ⓖ Depth of coffee maker frame and control panel	1 9/16	39
Ⓗ Height of stepdown from top of control panel to top of chassis	1/2	13
Ⓘ Height of stepdown from bottom of chassis to bottom of lower trim	9/16	15

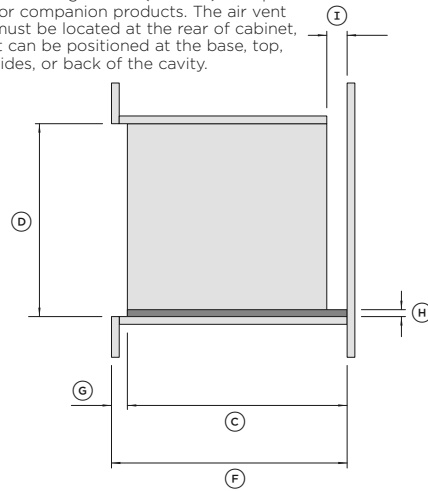
Actual product dimensions may vary by ± 2 mm.

## CABINTRY DIMENSIONS (FLUSH INSTALL)

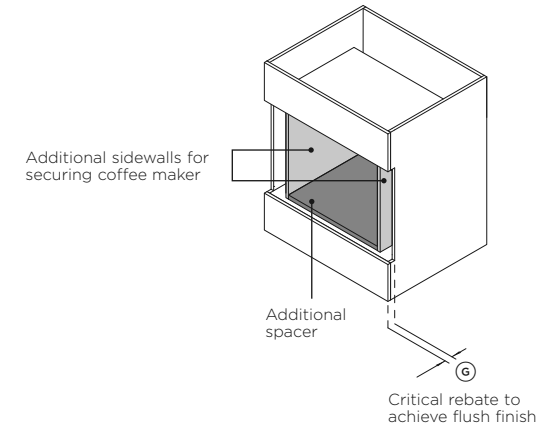
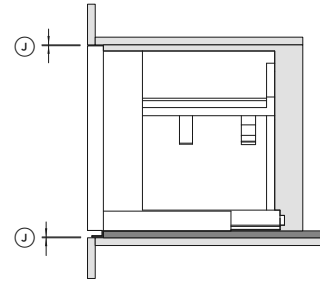
Ventilation of 2" x 22 1/16" (50x560mm) or totalling 43.4in<sup>2</sup> (280cm<sup>2</sup>) is required for companion products. The air vent must be located at the rear of cabinet, it can be positioned at the base, top, sides, or back of the cavity.



**FRONT ELEVATION**  
without front panels



**SIDE ELEVATION**  
with front panels



### CAVITY DIMENSIONS

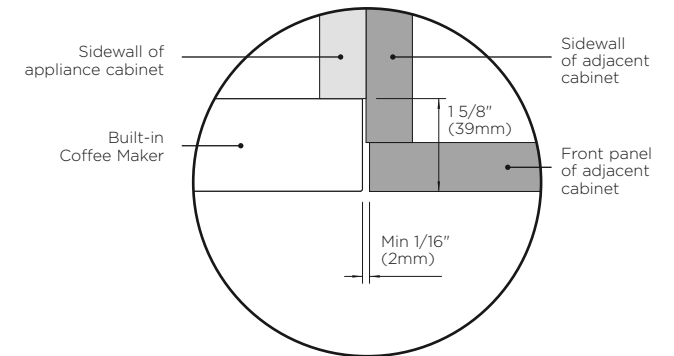
Ⓐ	Minimum inside height of cavity and rebate
Ⓑ	Inside width between additional sidewalls*
Ⓒ	Minimum inside depth of cavity (from front of rebate)
Ⓓ	Minimum height between cabinetry front panels
Ⓔ	Overall width of cabinetry
Ⓕ	Minimum overall depth of cavity (incl. front panel)
Ⓖ	Rebate depth for flush install (incl. front panel)
Ⓗ	Overall height of spacer in base of cavity
Ⓘ	Ventilation gap
Ⓙ	Minimum clearance to adjacent cabinetry or other appliances

### EB30 MODELS

INCHES	MM
18 11/16	474
22 1/16	560
22 1/16	560
18 11/16	474
30	762
23 5/8	600
1 9/16	39
5/8	16
2	50
1/16	2

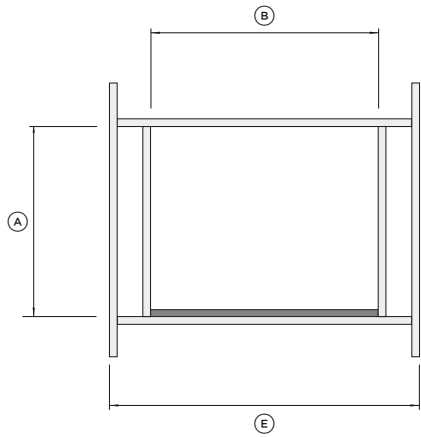
\*Cabinetry requires additional vertical sidewalls to secure the product.

### DETAIL - PLAN VIEW

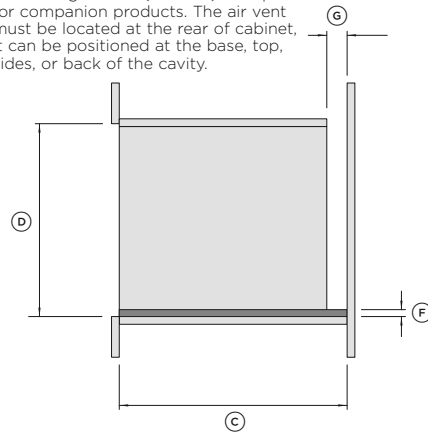


## CABINETY DIMENSIONS (PROUD INSTALL)

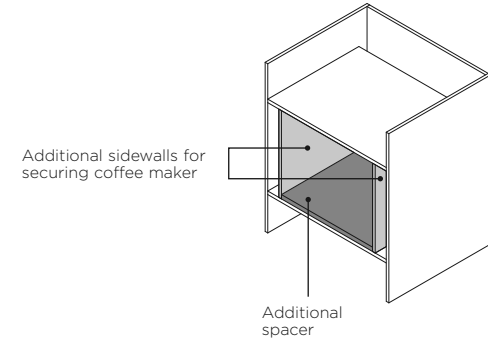
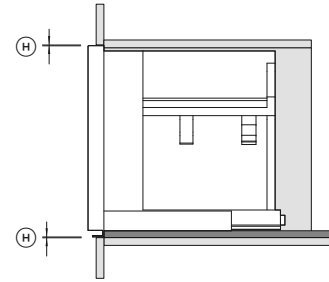
Ventilation of 2" x 22 1/16" (50x560mm) or totalling 43.4in<sup>2</sup> (280cm<sup>2</sup>) is required for companion products. The air vent must be located at the rear of cabinet, it can be positioned at the base, top, sides, or back of the cavity.



**FRONT ELEVATION**  
without front panels



**SIDE ELEVATION**  
with front panels



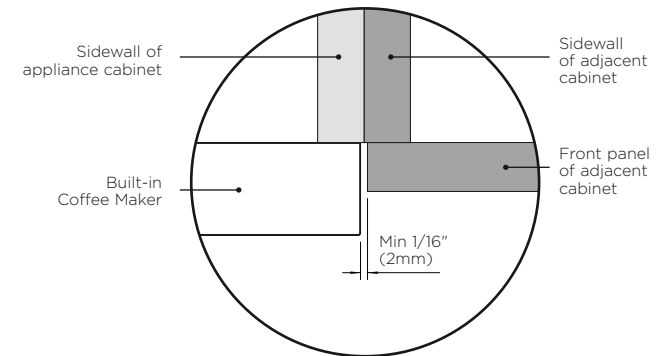
### CAVITY DIMENSIONS

### EB30 MODELS

	INCHES	MM
Ⓐ Minimum inside height of cavity	18 3/8	467
Ⓑ Inside width between additional sidewalls*	22 1/16	560
Ⓒ Minimum inside depth of cavity	22 1/16	560
Ⓓ Minimum height between cabinetry front panels	18 11/16	474
Ⓔ Overall width of cabinetry	30	762
Ⓕ Overall height of spacer in base of cavity	5/8	16
Ⓖ Ventilation gap	2	50
Ⓗ Minimum clearance to adjacent cabinetry or other appliances	1/16	2

\*Cabinetry requires additional vertical sidewalls to secure the product.

### DETAIL - PLAN VIEW



## ELECTRICAL CONNECTION

### Before placing the coffee maker into the cavity:

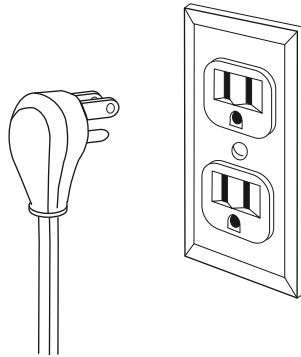
- Route the power cord into the back of the cavity and plug it in to the switched socket.
- The switched socket should be in an easily accessible area within 35 7/16" (900mm) of the centre rear of the product.

Note: All electrical work may only be carried out by suitably qualified and competent persons in accordance with national and local safety regulations.

This coffee maker must be grounded.

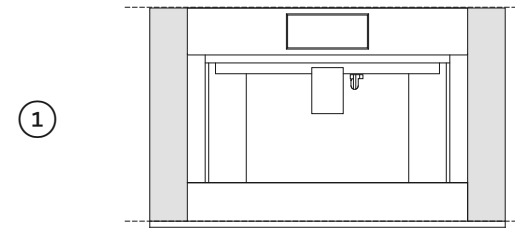
### Power requirements

MAX POWER (W)	HZ	VOLTAGE (V)	AMPS (A)
1350	60 Hz	120V	11.25

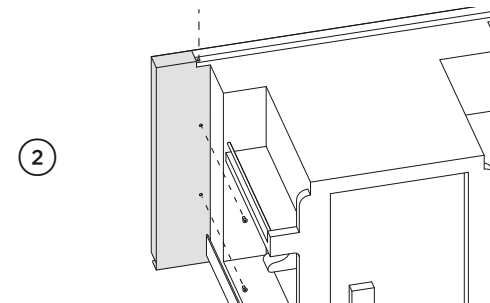


## ATTACH THE TRIM TO THE COFFEE MAKER

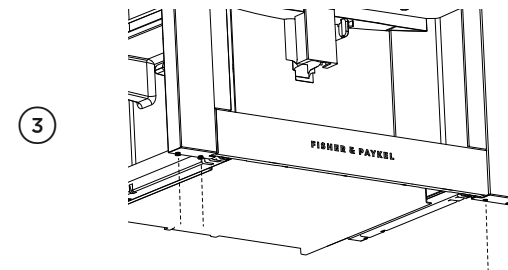
Before installing the coffee maker in the cabinetry, the side trims and lower trim need to be attached.



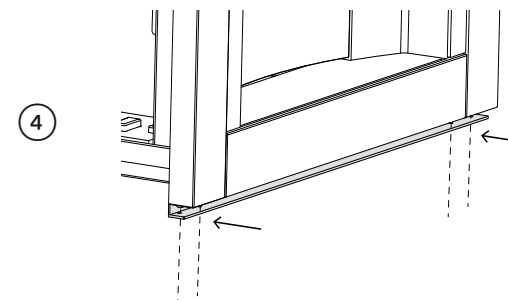
Align the side trims on either side of the coffee maker, using the locating tabs and corresponding slots.



Attach the side trims using the hex key and 6 of the screws provided. Do not over-tighten.



Attach the 4 remaining screws to the base of the side trims. Only screw halfway in so the lower trim can be mounted.

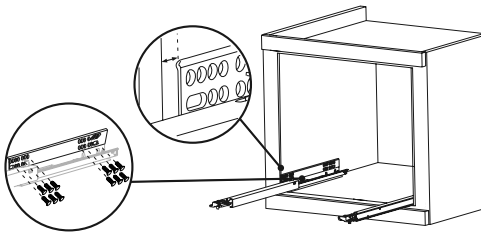


Slot the lower trim onto the screws, using the locating slots. Ensure the screws are seated as far as possible into the the locating slots. Pull the side trims forward so the lower trim is flush with the back edges. Tighten the screws to secure.



## SECURE THE COFFEE MAKER TO THE CABINETRY

1

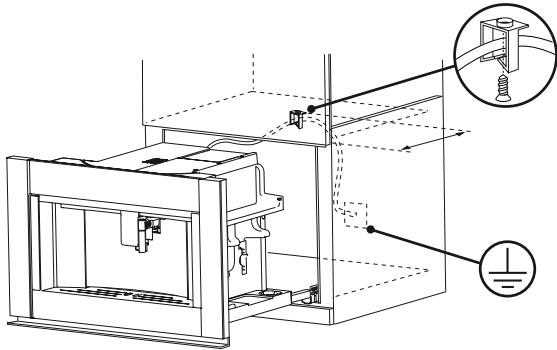


Position the rails on the sides of the cabinet.

Fix with the screws provided, then extract them completely.

- If the coffee maker is installed over a warmer drawer, use the top surface of this as a reference to position the rails.
- In this case, there will be no surface to rest the rails on.

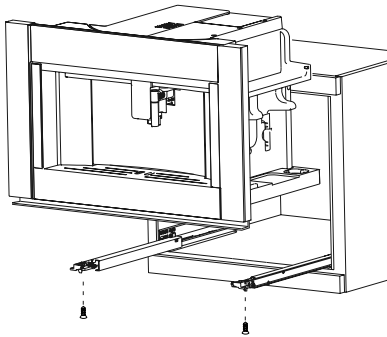
2



Fix the power cable with the clip.

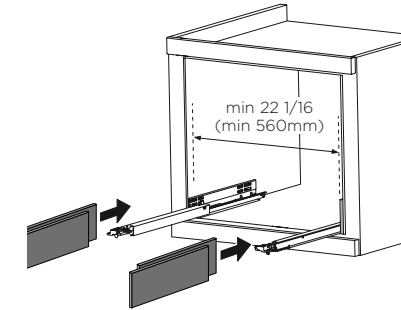
The power cable must be long enough to allow the appliance to be extracted from the cabinet to fill the coffee bean container.

3

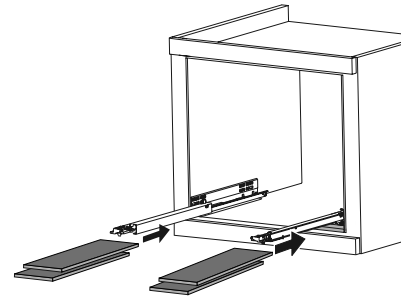


Position the appliance on the rails, making sure the pins are correctly inserted in the housings, then fix it with the screws supplied.

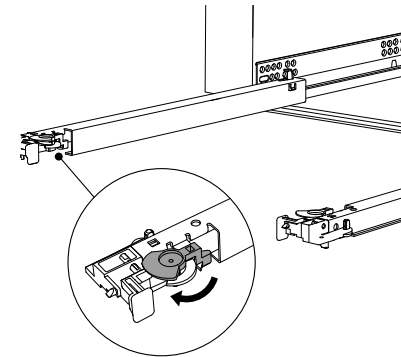
4



If necessary, correct alignment of the appliance by positioning the spacers supplied under or at the sides of the support.



5



Use the levers at the front of the rails to adjust the height of the appliance.

## INSTALLER CHECKLIST

---

### TO BE COMPLETED BY THE INSTALLER

- |   |   |
|---|---|
| <input type="checkbox"/> Make sure the coffee maker is level and securely fitted to the cabinetry.  | <input type="checkbox"/> Turn the power to the coffee maker on. The display should turn on. |
| <input type="checkbox"/> Check the lower trim is undamaged.   | <input type="checkbox"/> Fill the water tank to the indicated level.                        |
| <input type="checkbox"/> Check there is adequate clearance. This is to ensure correct air circulation.  | <input type="checkbox"/> Have you demonstrated basic operation to the customer?             |
| <input type="checkbox"/> Make sure any cable ties and internal packaging has been removed from the coffee maker.  |   |
| <input type="checkbox"/> Make sure all vents and openings are clear and free of any obstruction or damage. Failure to make sure all vents are clear may result in poor product performance. |   |
| <input type="checkbox"/> Make sure the isolating switch is accessible to the customer.  |   |

---

Complete and keep for safe reference:

Model \_\_\_\_\_

Serial No. \_\_\_\_\_

Purchase Date \_\_\_\_\_

Purchaser \_\_\_\_\_

Dealer Address \_\_\_\_\_

Installer's Name \_\_\_\_\_

Installer's Signature \_\_\_\_\_

Installation Company \_\_\_\_\_

Installation Date \_\_\_\_\_

**FISHERPAYKEL.COM**

© Fisher & Paykel Appliances 2021. All rights reserved.

The models shown in this guide may not be available in all markets  
and are subject to change at any time.

The product specifications in this guide apply to the specific products and  
models described at the date of issue. Under our policy of continuous product  
improvement, these specifications may change at any time.

For current details about model and specification availability in your country,  
please go to our website or contact your local Fisher & Paykel dealer.

**592413A 10.21**