

FISHER & PAYKEL

CHIMNEY BOX VENTILATION HOOD

HC24DTXB2, HC30DTXB2 & HC36DTXB2 models

HOTTE DE VENTILATION MURALE DÉCORATIVE

Modèles HC24DTXB2, HC30DTXB2 & HC36DTXB2

**INSTALLATION GUIDE / USER GUIDE
GUIDE D'INSTALLATION / GUIDE D'UTILISATION**

US CA

English

Page 1 - 22

Français

Page 25 - 46

Introduction	3
Safety and warnings	4
Installation instructions	6
Operating instructions	18
Cleaning and maintenance	19
Parts and accessories	21
Service and Warranty	22

IMPORTANT!

SAVE THESE INSTRUCTIONS

The models shown in this user guide may not be available in all markets and are subject to change at any time. For current details about model and specification availability in your country, go to our website fisherpaykel.com or contact your local Fisher & Paykel dealer.

Registration

Register your product with us so we can provide you with the best service possible.

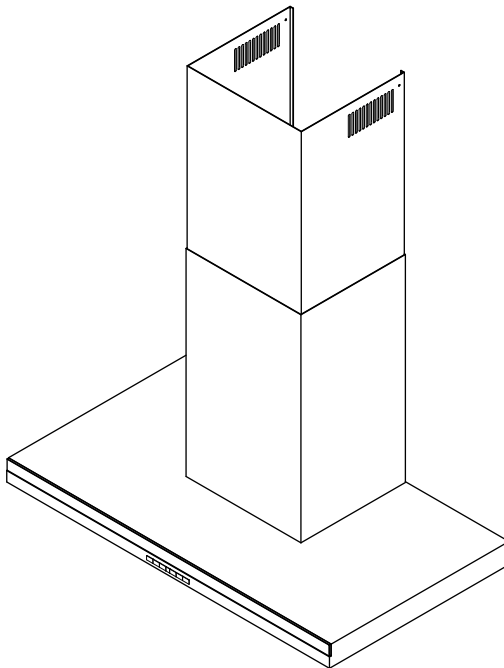
To register your product visit our website: fisherpaykel.com

Thank you for purchasing a Fisher & Paykel product.

Thousands of hours go into the design, engineering, testing and perfecting of each Fisher & Paykel appliance. The care and attention given to creating these beautiful products doesn't stop once it has found its home with you.

This use and care manual will answer most of your questions about the set-up, use and on-going maintenance of your Fisher & Paykel product; however if you require further information about your product and its use please consult our website for solutions and further contact information to discuss with a service representative.

To ensure you receive all relevant product updates and the best service possible, register your Fisher & Paykel products through our website.



SAFETY AND WARNINGS

WARNING!



33 lb (15 kg)
(HC24)

35 lb (16 kg)
(HC30)

37 lb (17 kg)
(HC36)

Weight Hazard

The ventilation hood is heavy. Please ensure adequate care is taken when installing the ventilation hood to prevent personal injury.

The ventilation hood must be installed onto a solid wall, stud, beam or truss.

Weight of the products are 33 lb (15 kg) HC24 / 35 lb (16 kg) HC30 / 37 lb (17 kg) HC36.

WARNING!



Electric Shock Hazard

Always disconnect the appliance from the mains power supply before carrying out any maintenance or repairs.

Installation work and electrical wiring must be done by qualified person(s) in accordance with all applicable codes and standards, including fire-rated construction.

Failure to do so can result in death, electric shock, fire or injury to persons.

IMPORTANT SAFETY INSTRUCTIONS

READ THE ENTIRE SET OF INSTRUCTIONS BEFORE INSTALLING OR USING THIS APPLIANCE. Manuals can also be found on our website fisherpaykel.com.

- **CAUTION:** For general ventilating use only. Do not use to exhaust hazardous or explosive materials and vapors.
- **WARNING!** To reduce the risk of fire, electric shock, or injury to persons, observe the following:
 - Use this unit only in the manner intended by the manufacturer. If you have questions, contact the manufacturer. For residential use only.
 - Before servicing or cleaning unit, switch power off at service panel and lock the service disconnecting means to prevent power from being switched on accidentally. When the service disconnecting means cannot be locked, securely fasten a prominent warning device, such as a tag, to the service panel.
 - Installation work and electrical wiring must be done by qualified person(s) in accordance with all applicable codes and standards, including fire-rated construction.
 - Sufficient air is needed for proper combustion and exhausting of gases through the flue (chimney) of fuel burning equipment to prevent back drafting. Follow the heating equipment manufacturer's guideline and safety standards such as those published by the National Fire Protection Association (NFPA), and the American Society for Heating, Refrigeration and Air Conditioning Engineers (ASHRAE), and the local code authorities.

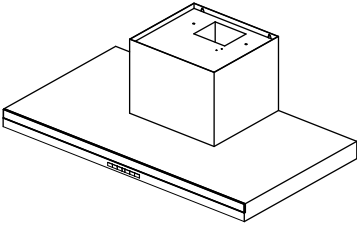
- When cutting or drilling into wall or ceiling, do not damage electrical wiring and other hidden utilities.
- Ducted fans must always be vented to the outdoors.
- This unit must be grounded.
- **CAUTION:** To reduce risk of fire and to properly exhaust air, be sure to duct air outside—Do not vent exhaust air into spaces within walls or ceilings or into attics, crawl spaces, or garages.
- **WARNING:** To reduce the risk of fire, use only metal ductwork.
- **WARNING:** To reduce the risk of fire or electric shock, do not use this fan with any solid-state speed control device.
- **WARNING:** To reduce the risk of a range top grease fire:
 - Never leave surface units unattended at high settings. Boilovers cause smoking and greasy spillovers that may ignite. Heat oils slowly on low or medium settings.
 - Always turn hood ON when cooking at high heat or when flambéing food (ie Crepes Suzette, Cherries Jubilee, Peppercorn Beef Flambé)
 - Clean ventilating fans frequently. Grease should not be allowed to accumulate on fan or filter.
 - Use proper pan size. Always use cookware appropriate for the size of the surface element.
- **WARNING:** To reduce the risk of injury to persons in the event of a range top grease fire, observe the following*:
 - **SMOTHER FLAMES** with a close-fitting lid, cookie sheet, or metal tray, then turn off the burner. **BE CAREFUL TO PREVENT BURNS.** If the flames do not go out immediately, **EVACUATE AND CALL THE FIRE DEPARTMENT.**
 - **NEVER PICK UP A FLAMING PAN**—You may be burned.
 - **DO NOT USE WATER**, including wet dishcloths or towels—a violent steam explosion will result.
 - Use an extinguisher **ONLY** if:
 - You know you have a Class ABC extinguisher, and you already know how to operate it.
 - The fire is small and contained in the area where it started.
 - The fire department is being called.
 - You can fight the fire with your back to an exit.
- **WARNING:** Unplug or disconnect the appliance from the power supply before servicing or cleaning.
- **CAUTION:** To reduce the risk of fire and electric shock when product is used in recirculation mode, use only conversion kit model 792580 Recirculation Diverter and 791772 Recirculation Carbon Filter x2.

READ AND SAVE THESE INSTRUCTIONS

*Based on "Kitchen Firesafety Tips" published by NFPA.

INSTALLATION INSTRUCTIONS

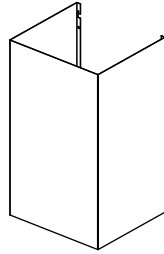
Contents of packaging



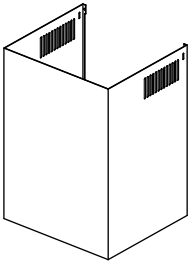
Ventilation hood
(1)



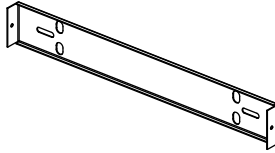
Installation instructions
User guide manual
(1)



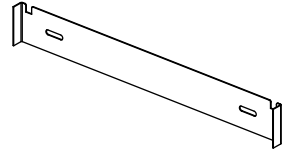
Chimney
(1)



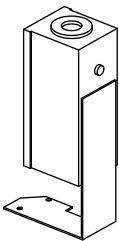
Upper chimney
(1)



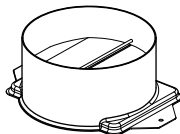
Upper chimney bracket
(1)



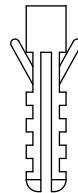
Chimney bracket
(1)



Power connection box
(1)



6" (152 mm) diameter
Ducting adapter with
back draft damper
(1)



1 $\frac{3}{16}$ " (30 mm)
Expansion plug
(10)



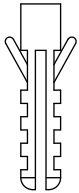
1 $\frac{3}{16}$ " (30 mm)
Self tapping screw
(10)



$\frac{3}{8}$ " (10 mm)
Self tapping screw
(4)



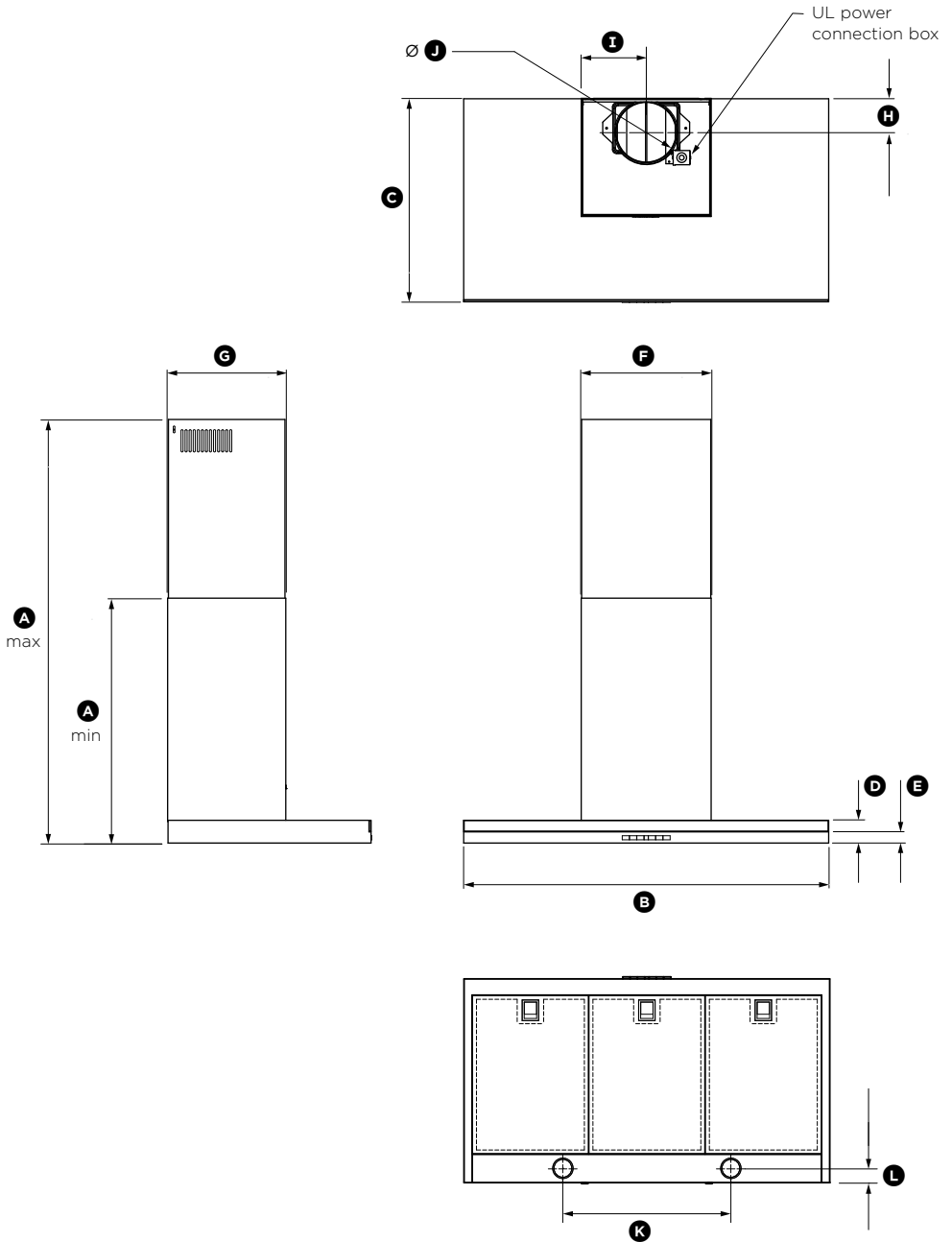
$\frac{3}{8}$ " (10 mm)
Screw
(2)



1 $\frac{3}{4}$ " (44 mm)
Drywall expansion plug
(8)

INSTALLATION INSTRUCTIONS

Product dimensions



Please read the entire instructions before installing the ventilation hood.

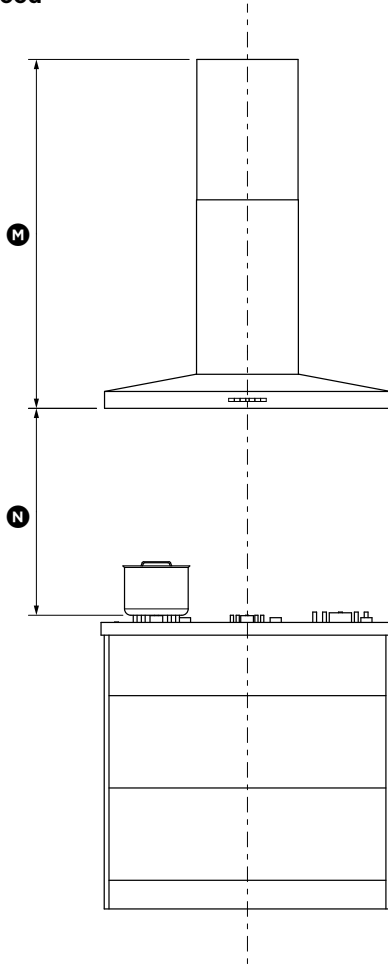
	HC24DTXB2	HC30DTXB2	HC36DTXB2
PRODUCT DIMENSIONS	inches (mm)	inches (mm)	inches (mm)
Ⓐ Min overall height of product	23 ¾" (603)	23 ¾" (603)	23 ¾" (603)
Ⓐ Max overall height of product	41 ⅛" (1043)	41 ⅛" (1043)	41 ⅛" (1043)
Ⓑ Overall width of product	23 ⅞" (598)	29 ¾" (755)	35 ⅜" (898)
Ⓒ Overall depth of product	19 ⅛" (500)	19 ⅛" (500)	19 ⅛" (500)
Ⓓ Height of product	2 ⅞" (65)	2 ⅞" (65)	2 ⅞" (65)
Ⓔ Height of stainless steel face panel	1 ⅞" (36)	1 ⅞" (36)	1 ⅞" (36)
Ⓕ Width of chimney	12 ⅝" (320)	12 ⅝" (320)	12 ⅝" (320)
Ⓖ Depth of chimney	11 ⅞" (290)	11 ⅞" (290)	11 ⅞" (290)
Ⓗ Distance from center of ducting outlet to back of product	3 ⅜" (85)	3 ⅜" (85)	3 ⅜" (85)
Ⓘ Distance from center of ducting outlet to side of chimney	6 ⅝" (160)	6 ⅝" (160)	6 ⅝" (160)
Ⓙ Diameter of ducting outlet	6" (152)	6" (152)	6" (152)
Ⓚ Distance between center of lights	9 ⅝" (244)	9 ⅝" (244)	9 ⅝" (244)
Ⓛ Distance between center of lights and back of product	1 ⅜" (35)	1 ⅜" (35)	1 ⅜" (35)

IMPORTANT!

Actual product dimensions may vary by ± ⅛" (2 mm).

INSTALLATION INSTRUCTIONS

Height of ventilation hood



INSTALLATION DIMENSIONS	inches (mm)
(M) Installation height Ducted Recirculation	min. 24 ¹ / ₁₆ " (627) – max. 43 ¹ / ₁₆ " (1034) min. 26 ⁷ / ₈ " (682) – max. 43 ¹ / ₁₆ " (1034)
(N) Height top of cooking surface to base of product	min. 26" (660) – max. recommended 36" (915)

This ventilation hood must be installed no lower than the minimum height indicated in the table above. Minimum installation height may be greater if required by the cooktop manufacturer or safety and warning section of this user guide. Installation at the minimum height will improve the efficiency of capturing cooking odors, grease and smoke. Installation at the maximum height improves user ergonomics by offering increased head room.

WARNING!

To reduce the risk of fire, use only metal ductwork. Do not use flexible plastic ducting

CAUTION!

To reduce risk of fire and to properly exhaust air, be sure to duct air outside—do not vent exhaust air into spaces within walls or ceilings or into attics, crawl spaces, or garages.

Venting options

Attention should be given to ensure that any applicable regulations concerning the discharge of exhaust air are fulfilled.

The ventilation hood can be installed to operate with the exhaust air ducted externally from the kitchen, or installed to operate with the exhaust air recirculating within the kitchen.

Ducted

For ducted installation it is recommended that 6" (152 mm) diameter, rigid or semi-rigid ducting is used. This will require a 6 $\frac{5}{16}$ " (160 mm) (min) round hole in the ceiling or wall. Care should be taken to position the hole correctly.

For optimal efficiency use the shortest and straightest duct route possible and use rigid or semi-rigid ducting for reduced noise and increased airflow. Flexible metal ducting should only be used as a last resort (ie in difficult installations) and if used ensure that it is straight and smooth and extended as much as possible.

Recirculating

To enable the product to operate with the air recirculating, purchase a recirculation diverter and carbon filters or recirculation kit (refer to the 'Parts and accessories' section). This recirculation diverter is required to channel the air out the side vents at the top of the chimney and the carbon filters are required to remove odors.

Note: a ducting hole is not required in the wall or ceiling if the ventilation hood is installed to operate with exhaust air recirculating.

INSTALLATION INSTRUCTIONS

WARNING!

- This product is heavy and requires two persons for installation.
- Installation work and electrical wiring must be done by qualified person(s) in accordance with all applicable codes and standards.

IMPORTANT!

Wear gloves to protect against sharp edges.

The manufacturer is not liable for any damage caused by not following these instructions.

Installation

① Preparing for installation:

Before installing your ventilation hood:

- Read the instructions carefully.
- Unpack the ventilation hood.
- Ensure the voltage (V) and the frequency (Hz) indicated on the serial plate match the voltage and frequency of the installation site.
- Check that the area behind the installation surface to be drilled is clear of any electrical cables or pipes etc
- The ventilation hood surfaces can be damaged during installation if grazed or knocked by tools. Please take care to protect the surfaces during installation.
- Protect the cooktop surface with cardboard, or the like, to prevent damage occurring whilst the ventilation hood is being installed above.
- Temporarily mark the height of the bottom of the ventilation hood and the center of the cooktop on the wall according to the information given in the 'Installation instructions – Height of ventilation hood' section.
- The wall used for mounting the ventilation hood should have sufficient strength and a flat surface.

② Attach chimney brackets and ventilation hood mounting screws to the wall

- Attach the chimney bracket and upper chimney bracket (if using the upper chimney) in the locations shown in Fig.2 (refer to page 13) and Fig.3 (refer to page 14). Use the 1 $\frac{3}{16}$ " (30 mm) screws (and expansion plugs if attaching to masonry).
- Attach the upper ventilation hood mounting screws in the locations shown in Fig.2 (refer to page 13) and Fig.3 (refer to page 14). Using the 1 $\frac{3}{16}$ " (30 mm) screws (and expansion plugs if attaching to masonry). Ensure that there is a $\frac{1}{16}$ " (2 mm) gap between the screw head and the wall (Fig.1).

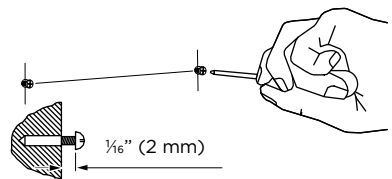


Fig.1

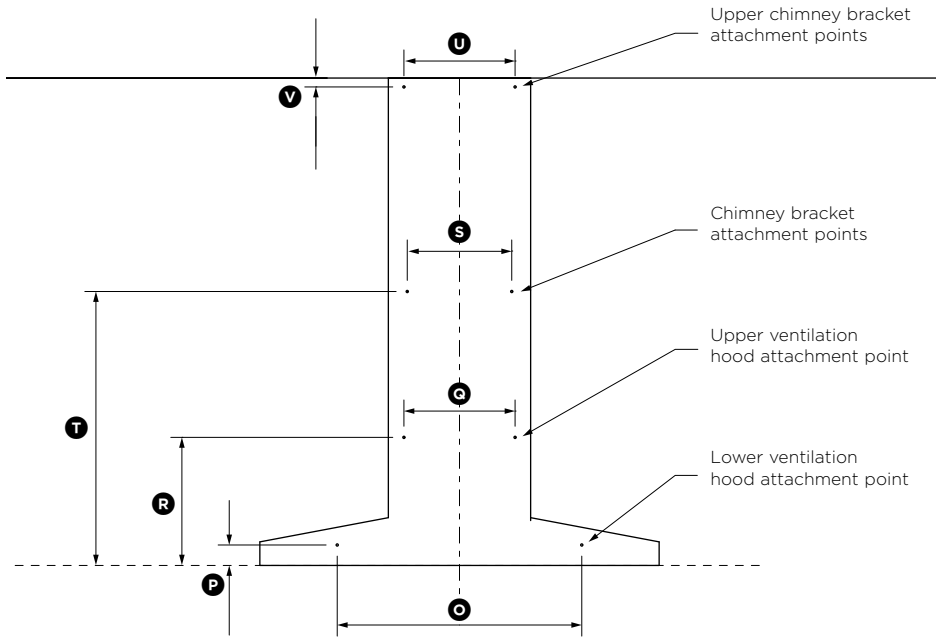


Fig.2

PRODUCT DIMENSIONS		inches (mm)
ⓐ	Lower ventilation hood attachment point width	20" (508)
ⓑ	Lower ventilation hood attachment point height	1 ¹¹ / ₁₆ " (43)
ⓒ	Upper ventilation hood attachment point width	9 ⁷ / ₈ " (250)
ⓓ	Upper ventilation hood attachment point height	11 ⁵ / ₁₆ " (288)
ⓔ	Chimney bracket attachment point width	9 ¹ / ₄ " (235)
ⓕ	Chimney bracket attachment point height	22 ¹ / ₄ " (566)
ⓖ	Upper chimney bracket attachment point width	9 ⁷ / ₈ " (250)
ⓗ	Upper chimney bracket attachment point height	1" (25)

INSTALLATION INSTRUCTIONS

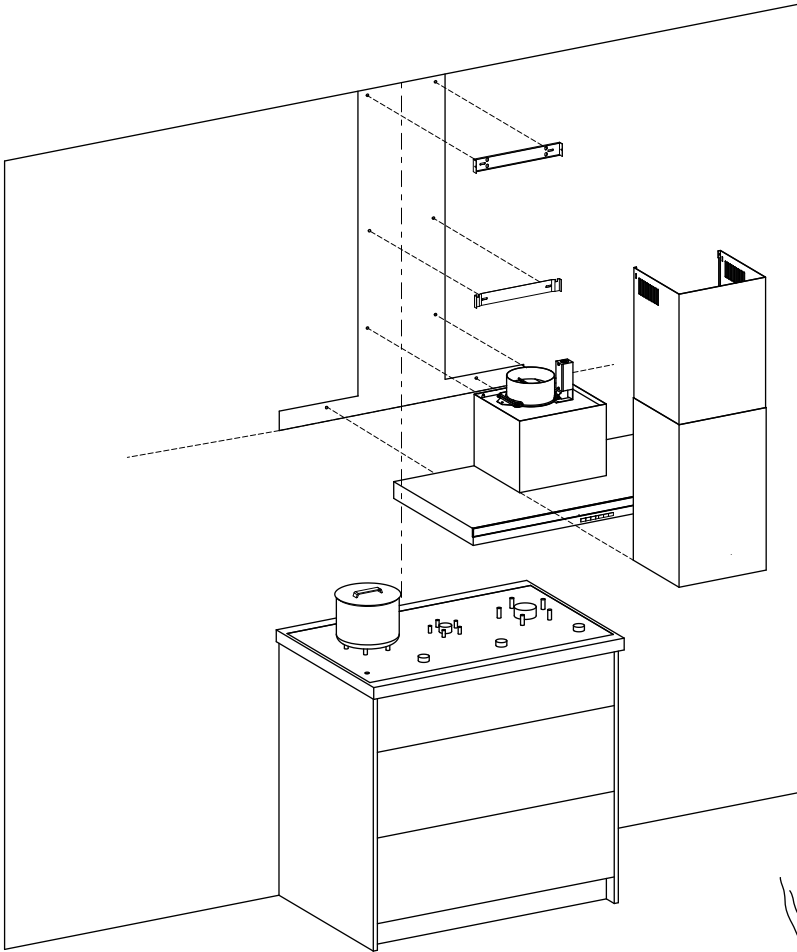
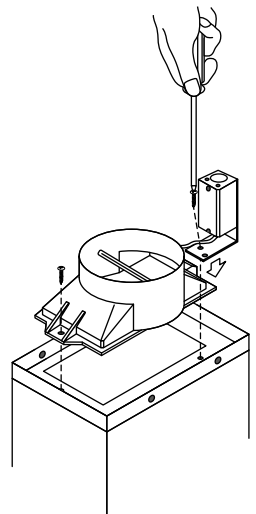


Fig.3

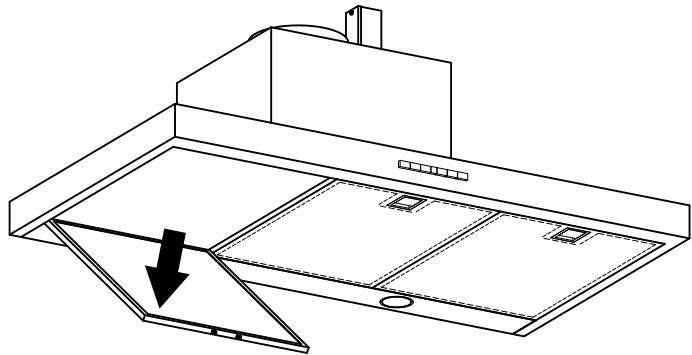
③ Attach ducting adapter and power connection box to the ventilation hood

- Place the ducting adapter onto the ventilation hood and screw it in place using $\frac{3}{8}$ " (10 mm) screws.
- Place the power connection box onto the ventilation hood and screw it in place using $\frac{3}{8}$ " (10 mm) screws.
- Follow wiring instructions described in the 'Electrical connection' section page 16.

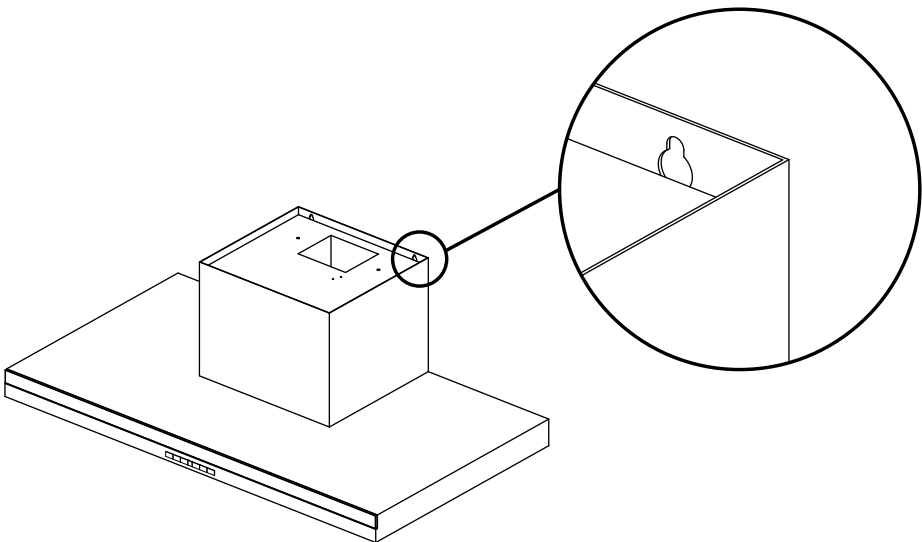


④ Wall mounting

- Remove the filters – pull the relative catch and tilt the filter downwards until it disengages from the supports.



- Hang the ventilation hood off the upper ventilation hood mounting screws with $\frac{1}{16}$ " (2 mm) gap. Hang off the keyhole attachment points on the back of the ventilation hood then tighten the screws.



- Attach the lower ventilation hood mounting screws to fix the ventilation hood to the wall.
- Refit the filters.

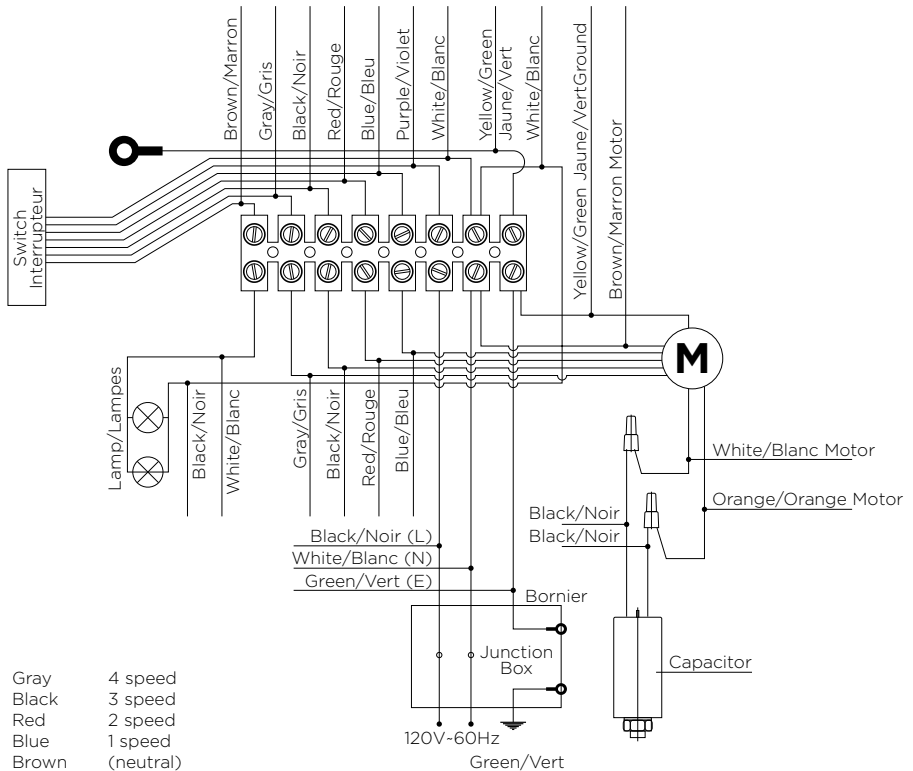
INSTALLATION INSTRUCTIONS

WARNING!

Electrical wiring must be done by qualified person(s) in accordance with all applicable codes and standards and the unit must be grounded.

⑤ Electrical connection

- Run three wires, two for the power supply and one for the ground wire, from the power connection box on the ventilation hood to a power connection point near the installation.
- Open the power connection box on the ventilation hood and secure the power conductor with a cULus listed strain relief (not included).
- Connect the power conductors to the conductors for the ventilation hood, black to black and white to white.
- Connect the grounding wire (green or bare) to the ground conductor (green) of the ventilation hood power connection box.
- Secure all the connections with cULus listed wire nuts.
- Replace the power connection box cover.

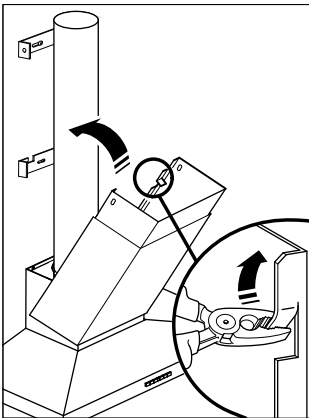


⑥ **Attach the ducting**

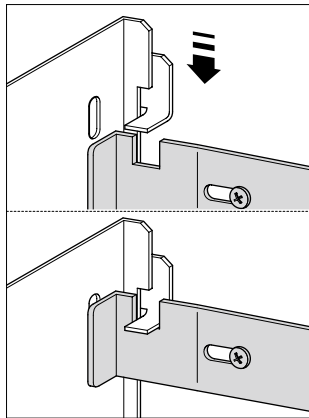
- Attach ducting to the ducting adapter using aluminum duct tape and vent outside.

⑦ **Attach chimney**

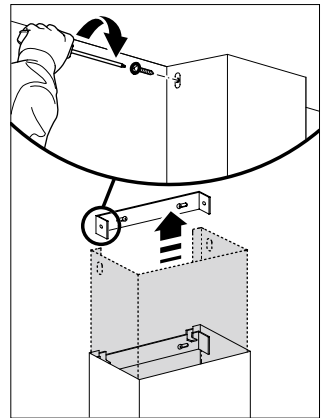
- Bend the tabs on the chimney (**A**).
- Place chimney around the ventilation hood chassis and hang off the chimney bracket (**B**).
- Extend the upper chimney and attach to the upper chimney bracket with $\frac{1}{16}$ " (10 mm) screws (**C**).



A



B



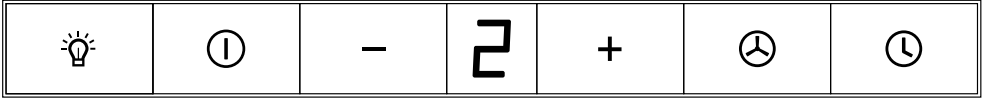
C

⑧ **Remove packaging**








- Remove all packaging and protective wrappings.

OPERATING INSTRUCTIONS

Touch control panel



CONTROL PANEL FEATURES

	Light	Turn the lights on or off.
	Power ON/OFF	Turn the ventilation hood on or off. The fan automatically turns on to operate at level 1.
	Reduce fan speed	Adjust the fan speed levels from 1 - 4 with 1 being the lowest.
	Fan speed indicator	The fan speed level icon illuminates red with the current fan speed.
	Increase fan speed	Adjust the fan speed levels from 1 - 4 with 4 being the highest.
	Max	Turn the fan on directly onto maximum fan speed.
	Timer	Turn the timer on. The fan speed light blinks and the fan will operate for 5 minutes at the current speed and each decreasing speed before turning off (the fan will stop and the light will go out). To cancel the timer press the timer button once.

Note: for optimal performance it is recommended that the ventilation hood is turned on before cooking is started.

IMPORTANT!

The ventilation hood may stop working during an electrostatic discharge (eg lightning). Switch off the electricity supply to the ventilation hood and reconnect after one minute.

WARNING!

Unplug or disconnect the appliance from the power supply before servicing or cleaning.

IMPORTANT!

- Never use abrasive or oil based cleaners.
- Wear gloves to protect against sharp edges.

Maintenance

The ventilation hood should be cleaned regularly using a mild, liquid detergent and a clean soft cloth to avoid a build-up of grease occurring. Avoid the use of corrosive chemicals, abrasive cleaning products, hard brushes and steel wool pads. Grease deposits are corrosive which can cause damage to your ventilation hood.

Note: in areas of high humidity or coastal environments, cleaning should be carried out more frequently.

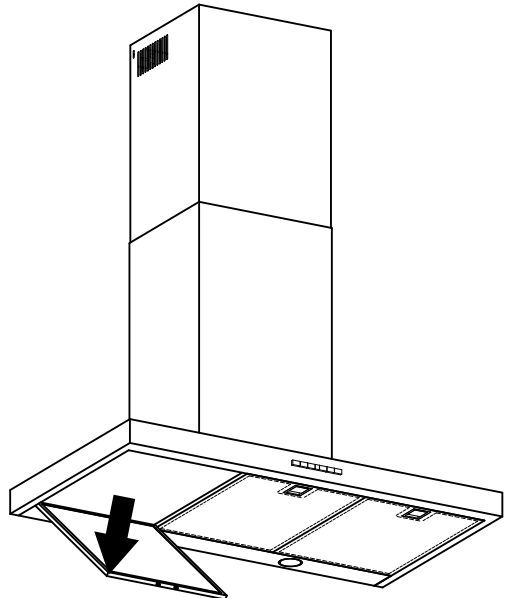
Aluminum filters

- Depending on use, and at least once a month, the aluminum filters should be removed and cleaned with hot soapy water or in a dishwasher.
- If washed in a dishwasher, the filter should be placed in an upright position to prevent food from falling on them.
- After rinsing and drying, refit the filters.

Note: some discoloration of the frames may occur.

Removing the aluminum filters:

- ① Pull the relative catch, tilting the filter downwards until it disengages from the supports.
- ② Reverse these instructions when refitting the filters.



CLEANING AND MAINTENANCE

WARNING!

When replacing the bulb, let the bulb cool, and assure that power to the ventilation hood has been turned off. Use new bulbs according to that indicated on the ventilation hood nameplate.

Carbon filters— for use in recirculation mode

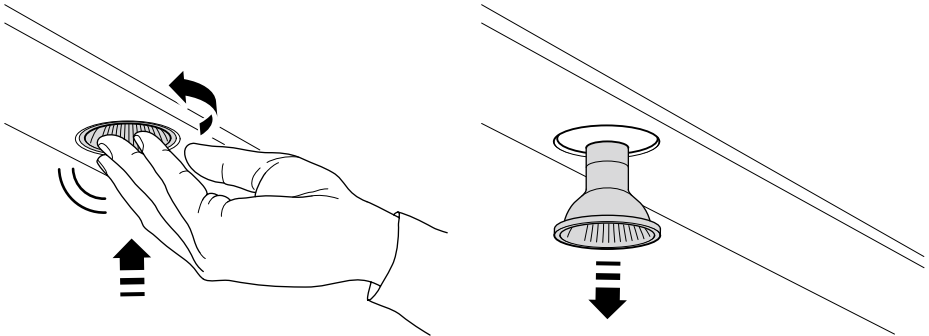
Active carbon filters are disposable items designed to remove grease and odors from cooking vapors before the air is channeled back into the kitchen. The active carbon filters must be replaced periodically to work properly, at least once every three months, depending on the frequency with which the ventilation hood is used.

Note: fully saturated carbon filters can become a barrier to air movement therefore limiting ventilation hood performance. In the event of fire, grease laden filters could be flammable and therefore regular replacement is recommended.

Replacing the light bulb

Note: replacement bulbs are not covered by warranty.

- ① Remove the aluminum filters.
- ② Lightly push the light bulb up and rotate anti-clockwise to remove.
- ③ Replace light bulb with a light bulb no more powerful than that specified.
- ④ Refit the aluminum filters.



ITEM	REFERENCE NUMBER
LED bulb	792579
Aluminum filter	792558
Recirculation carbon filter x2	791772
Recirculation diverter	792580

SERVICE AND WARRANTY

For details of your manufacturer's warranty and contacts for servicing, please refer to your separate service and warranty book provided with your range hood.

Complete and keep for safe reference:

Model _____

Serial No. _____

Purchase Date _____

Purchaser _____

Dealer _____

City _____

State _____

Zip _____

Country _____

Introduction	27
Consignes de sécurité et mises en garde	28
Instructions d'installation	30
Instructions d'utilisation	42
Nettoyage et entretien	43
Pièces et accessoires	45
Service et garantie	46

IMPORTANT!

CONSERVEZ CES INSTRUCTIONS

Les modèles illustrés dans ce guide d'utilisation peuvent ne pas être disponibles dans tous les pays et sont sujets à modifications sans préavis. Pour les plus récentes informations sur la disponibilité des modèles et des caractéristiques dans votre pays, veuillez visiter notre site Web fisherpaykel.com ou contacter votre détaillant Fisher & Paykel local.

Enregistrement

Enregistrez votre produit afin que nous puissions vous offrir un service de la meilleure qualité possible.

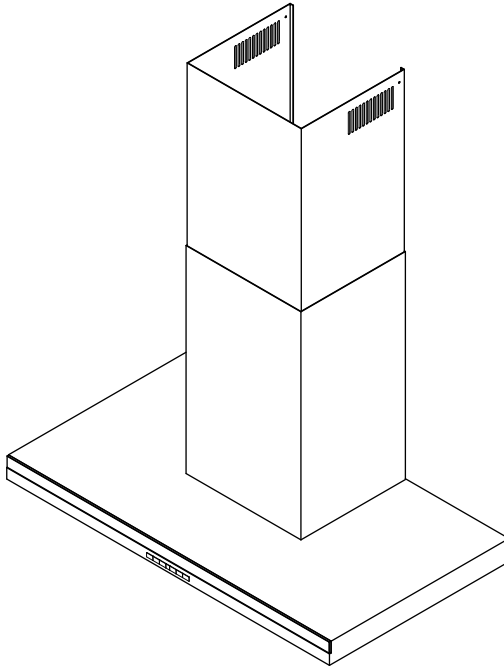
Pour enregistrer votre produit, visitez notre site Web : fisherpaykel.com

Nous vous remercions d'avoir acheté ce produit Fisher & Paykel.

Plusieurs milliers d'heures sont consacrées à la conception, l'ingénierie, la mise à l'essai et le perfectionnement de chaque appareil Fisher & Paykel. L'attention et le soin portés à la création de ces superbes produits se poursuivent même après leur livraison à votre domicile.

Ce manuel d'utilisation et d'entretien répond à la plupart des questions concernant l'installation, l'utilisation et l'entretien de routine de votre produit Fisher & Paykel; toutefois, si vous avez besoin d'informations supplémentaires au sujet de votre produit et de son fonctionnement, veuillez visiter notre site Web pour obtenir des solutions et des coordonnées permettant de communiquer avec un représentant de service.

Pour vous assurer de recevoir toutes les mises à jour sur nos produits et un service de la meilleure qualité possible, veuillez enregistrer vos produits Fisher & Paykel sur notre site Web.



⚠ MISE EN GARDE!



33 lb (15 kg)
(HC24)
35 lb (16 kg)
(HC30)
37 lb (17 kg)
(HC36)

Risque de poids excessif

La hotte de ventilation est lourde. Lors de l'installation de la hotte de ventilation, veuillez vous assurer de porter une attention appropriée afin d'éviter toute blessure.

La hotte de ventilation doit être installée sur un mur, un montant, une poutre ou une ferme de charpente solide.

Le poids du produit est de 33 lb (15 kg) HC24 / 35 lb (16 kg) HC30 / 37 lb (17 kg) HC36.

⚠ MISE EN GARDE!



Risque de choc électrique

Déconnectez toujours l'appareil de l'alimentation électrique avant de procéder à l'entretien ou à des réparations.

L'installation et le câblage électrique doivent être réalisés par une ou plusieurs personne(s) qualifiée(s), en conformité avec tous les codes et toutes les normes applicables, notamment en ce qui concerne les constructions ignifuges.

Le fait de ne pas respecter ces consignes peut causer la mort, un choc électrique, un incendie ou des blessures.

CONSIGNES DE SÉCURITÉ IMPORTANTES

VEUILLEZ LIRE TOUTES CES CONSIGNES AVANT D'INSTALLER OU UTILISER CET APPAREIL. Les manuels sont également disponibles sur notre site Web fisherpaykel.com.

- **ATTENTION** : Utiliser uniquement pour la ventilation générale. Ne pas utiliser pour l'évacuation de matières ou de vapeurs dangereuses ou explosives.
- **MISE EN GARDE!** Pour réduire les risques d'incendie, de choc électrique ou de blessures, respectez ces consignes :
 - Utilisez cet appareil uniquement de la manière prévue par le fabricant. Pour toute question, communiquez avec le fabricant. Pour une utilisation résidentielle uniquement.
 - Avant de procéder à l'entretien ou au nettoyage de l'appareil, interrompez l'alimentation au panneau électrique et verrouillez le dispositif d'interruption de courant pour éviter que l'alimentation puisse être rétablie accidentellement. S'il n'est pas possible de verrouiller le dispositif d'interruption de courant, affichez un avertissement bien visible sur le panneau électrique, par exemple à l'aide d'une étiquette.
 - L'installation et le câblage électrique doivent être réalisés par une ou plusieurs personne(s) qualifiée(s), en conformité avec tous les codes et toutes les normes applicables, notamment en ce qui concerne les constructions ignifuges.

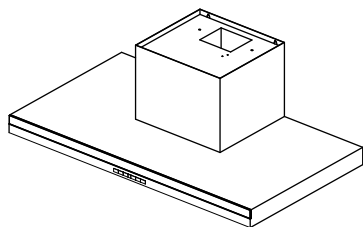
- Pour éviter le refoulement d'air, une quantité d'air suffisante est nécessaire pour assurer une bonne combustion et l'évacuation des gaz à travers le carneau (cheminée) de l'appareil. Suivez les consignes du fabricant de l'appareil de cuisson ainsi que les normes de sécurité comme celles publiées par la National Fire Protection Association (NFPA) et la American Society for Heating, Refrigeration and Air Conditioning Engineers (ASHRAE), ainsi que les normes locales.
- Au moment de couper ou percer le mur ou le plafond, veillez à ne pas endommager le câblage électrique ou les conduites qui y sont dissimulés.
- Les ventilateurs avec conduits doivent toujours évacuer l'air vers l'extérieur.
- Cet appareil doit être mis à la terre.
- **ATTENTION** : Pour réduire les risques d'incendie et évacuer l'air adéquatement, assurez-vous d'évacuer l'air vers l'extérieur - N'évacuez pas l'air dans les murs, plafonds, greniers, vides sanitaires ou garages.
- **MISE EN GARDE** : Pour réduire les risques d'incendie, utilisez uniquement des conduits en métal.
- **MISE EN GARDE** : Pour réduire les risques d'incendie ou de choc électrique, n'utilisez pas ce ventilateur avec un dispositif de contrôle de vitesse à semi-conducteurs.
- **MISE EN GARDE** : Pour réduire les risques de feu de graisse sur la cuisinière :
 - Ne laissez jamais les éléments de surface sans surveillance lors de l'utilisation de réglages élevés. Les débordements produisent de la fumée et des déversements de matières grasses qui peuvent s'enflammer. Chauffez les huiles lentement, à feu doux ou moyen.
 - Allumez toujours la hotte lorsque vous cuisinez à feu vif ou faites flamber des aliments (par ex. : crêpes Suzette, cerise jubilé, steak au poivre flambé).
 - Nettoyez fréquemment les ventilateurs. Ne laissez jamais la graisse s'accumuler sur le ventilateur ou le filtre.
 - Utilisez des récipients de taille appropriée. Utilisez toujours des plats de cuisson adaptés à la taille de l'élément de surface.
- **MISE EN GARDE** : Pour réduire les risques de blessures en cas de feu de graisse sur la cuisinière, respectez ces consignes* :
 - **ÉTOUFFEZ LES FLAMMES** avec un couvercle hermétique, une plaque à biscuits ou un plateau métallique, puis éteignez le brûleur. **FAITES ATTENTION DE NE PAS VOUS BRÛLER**. Si les flammes ne s'éteignent pas immédiatement, **ÉVACUEZ LA PIÈCE ET APPELEZ LE SERVICE D'INCENDIE**.
 - **NE PRENEZ JAMAIS UN RÉCIPIENT QUI EST EN FLAMMES** - vous pourriez vous brûler.
 - **N'UTILISEZ PAS DE L'EAU**, ni de linges ou serviettes humides, car cela pourrait causer une violente explosion de vapeur.
 - Utilisez un extincteur **UNIQUEMENT** si :
 - Vous savez qu'il s'agit d'un extincteur de classe ABC et vous savez vous en servir.
 - Le feu est peu important et localisé dans la zone où il a commencé.
 - Vous avez appelé le service d'incendie.
 - Vous pouvez combattre le feu en ayant le dos tourné vers une sortie.
- **MISE EN GARDE** : Débranchez ou déconnectez l'appareil de l'alimentation électrique avant de procéder à l'entretien ou au nettoyage.
- **ATTENTION** : Pour réduire les risques d'incendie et de choc électrique lorsque le produit est utilisé en mode de recirculation, utilisez uniquement l'ensemble de conversion modèle 792580 Déflecteur de recirculation et 791772 Filtre à charbon de recirculation x2.

LISEZ ET CONSERVEZ CES INSTRUCTIONS

* Tirés des conseils sur la sécurité en matière d'incendie de cuisine de la NFPA.

INSTRUCTIONS D'INSTALLATION

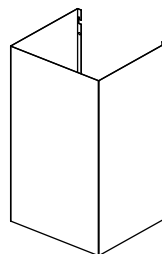
Contenu de l'emballage



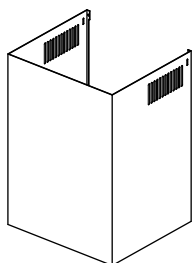
Hotte de ventilation
(1)



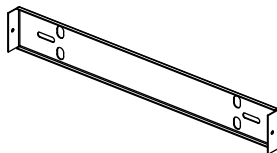
Instructions d'installation
Guide d'utilisation
(1)



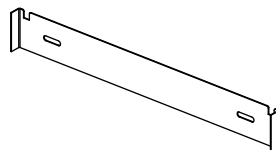
Cheminée
(1)



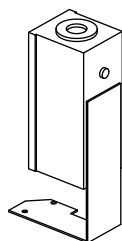
Cheminée supérieure
(1)



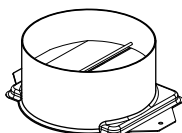
Support de cheminée
supérieure (1)



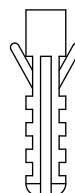
Support de cheminée
(1)



Boîtier de raccordement
d'alimentation
(1)



Adaptateur de conduit
de 6 po (152 mm) de
diamètre avec clapet anti-
refoulement d'air
(1)



Cheville expansible
de 1 3/16 po (30 mm)
(10)



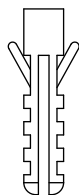
Vis autotaraudeuses
de $1\frac{3}{16}$ po (30 mm)
(10)



Vis autotaraudeuses
de $\frac{3}{8}$ po (10 mm)
(4)



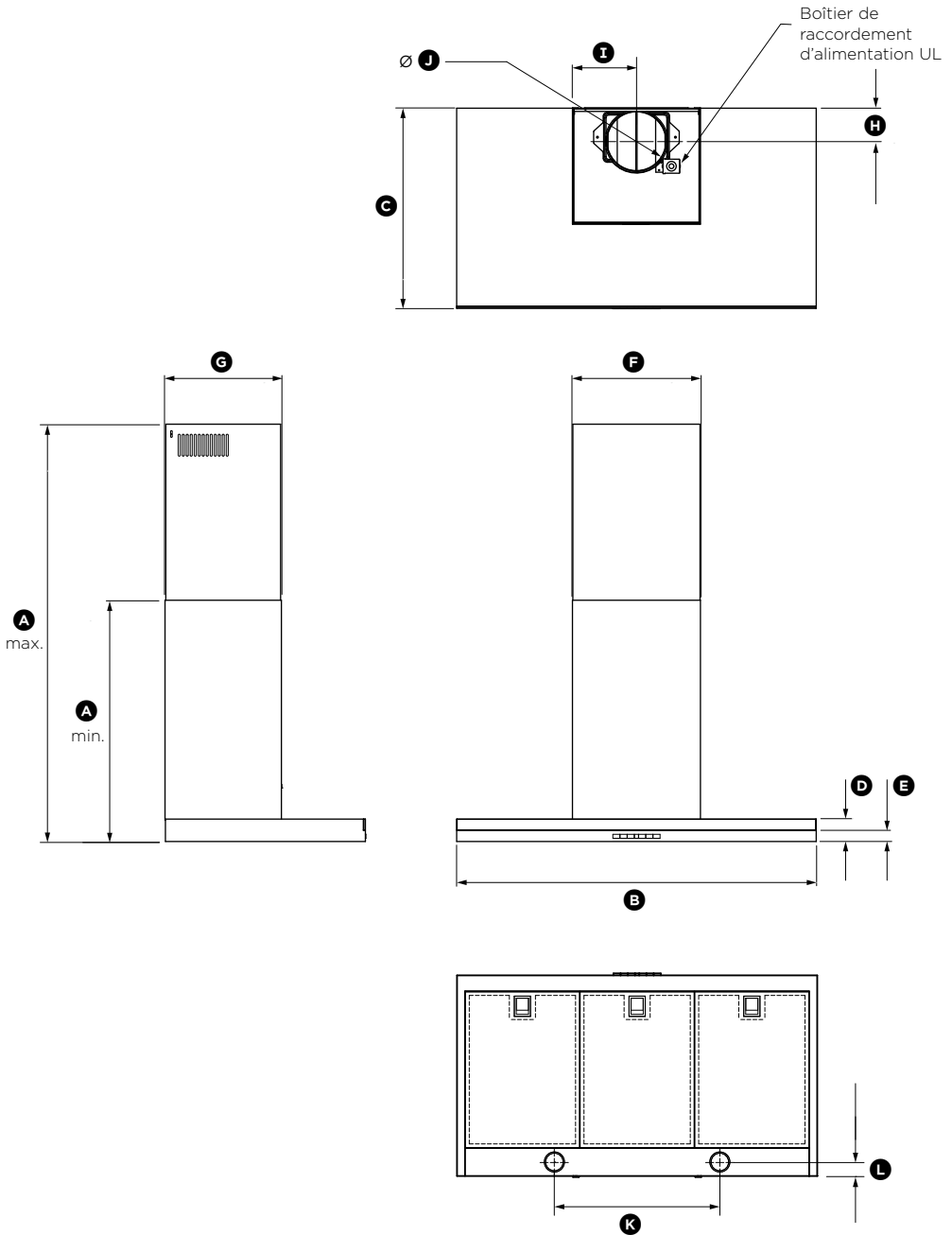
Vis de $\frac{3}{8}$ po
(10 mm)
(2)



Chevilles expansibles
pour cloison sèche
de $1\frac{3}{4}$ po (44 mm)
(8)

INSTRUCTIONS D'INSTALLATION

Dimensions du produit



Veuillez lire toutes les instructions avant d'installer la hotte de ventilation.

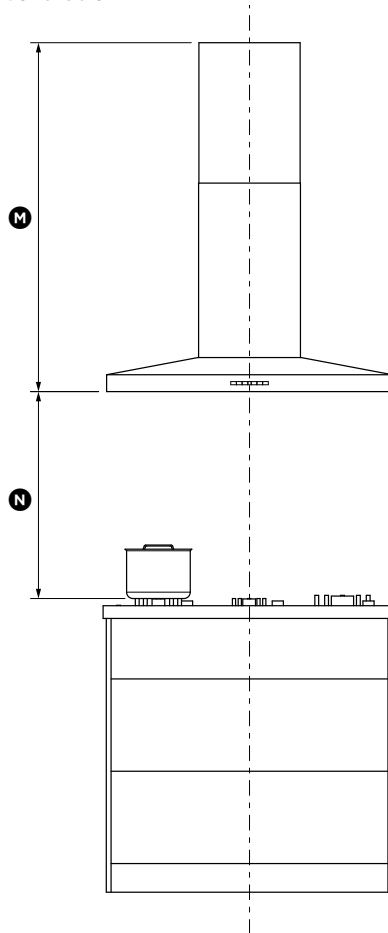
	HC24DTXB2	HC30DTXB2	HC36DTXB2
DIMENSIONS DU PRODUIT	pouces (mm)	pouces (mm)	pouces (mm)
Ⓐ Hauteur hors tout min. du produit	23 ¾ po (603)	23 ¾ po (603)	23 ¾ po (603)
Ⓐ Hauteur hors tout max. du produit	41 ½ po (1 043)	41 ½ po (1 043)	41 ½ po (1 043)
Ⓑ Largeur hors tout du produit	23 ⅞ po (598)	29 ¾ po (755)	35 ⅞ po (898)
Ⓒ Profondeur hors tout du produit	19 ⅞ po (500)	19 ⅞ po (500)	19 ⅞ po (500)
Ⓓ Hauteur du produit	2 ⅞ po (65)	2 ⅞ po (65)	2 ⅞ po (65)
Ⓔ Hauteur de façade inox	1 ⅞ po (36)	1 ⅞ po (36)	1 ⅞ po (36)
Ⓕ Largeur de la cheminée	12 ⅝ po (320)	12 ⅝ po (320)	12 ⅝ po (320)
Ⓖ Profondeur de la cheminée	11 ⅞ po (290)	11 ⅞ po (290)	11 ⅞ po (290)
Ⓗ Distance entre le centre de la sortie de conduit et l'arrière de l'appareil	3 ⅜ po (85)	3 ⅜ po (85)	3 ⅜ po (85)
Ⓐ Distance entre le centre de la sortie de conduit et le côté de la cheminée	6 ⅞ po (160)	6 ⅞ po (160)	6 ⅞ po (160)
Ⓙ Diamètre de la sortie de conduit	6 po (152)	6 po (152)	6 po (152)
Ⓚ Distance entre le centre des lampes	9 ⅝ po (244)	9 ⅝ po (244)	9 ⅝ po (244)
Ⓛ Distance entre le centre des lampes et l'arrière de l'appareil	1 ⅜ po (35)	1 ⅜ po (35)	1 ⅜ po (35)

IMPORTANT!

Les dimensions réelles du produit peuvent varier de $\pm \frac{1}{16}$ po (2 mm).

INSTRUCTIONS D'INSTALLATION

Hauteur de la hotte de ventilation



DIMENSIONS D'INSTALLATION

pouces (mm)

Ⓜ	Hauteur d'installation Avec conduit Avec recirculation	min. 24 ¹ / ₁₆ po (627) – max. 43 ¹ / ₁₆ po (1 034) min. 26 ⁷ / ₈ po (682) – max. 43 ¹ / ₁₆ po (1 034)
Ⓝ	Hauteur du dessus de la surface de cuisson à la base du produit	min. 26 po (660) – max. recommandé 36 po (915)

La hotte de ventilation doit être installée en respectant le dégagement minimal et maximal indiqués dans le tableau ci-dessus. La hauteur d'installation minimale peut être augmentée si nécessaire suivant les instructions du fabricant de votre surface de cuisson ou les consignes de sécurité et mises en garde décrites dans ce manuel. Une installation à la hauteur inférieure améliore l'efficacité de l'appareil pour l'élimination des odeurs, de la graisse et de la fumée de cuisson. Une installation à la hauteur maximale améliore l'ergonomie pour l'utilisateur avec plus de dégagement pour la tête.

MISE EN GARDE!

Pour réduire les risques d'incendie, utilisez uniquement des conduits en métal. N'utilisez pas de conduits en plastique flexible.

ATTENTION!

Pour réduire les risques d'incendie et évacuer l'air adéquatement, assurez-vous d'évacuer l'air vers l'extérieur - n'évacuez pas l'air dans les murs, plafonds, greniers, vides sanitaires ou garages.

Options pour l'évacuation

Veillez porter une attention particulière à assurer la conformité à toutes les réglementations relatives à l'évacuation de l'air.

La hotte de ventilation peut être installée de manière à fonctionner en évacuant l'air à l'extérieur de la cuisine par un conduit, ou encore en faisant recirculer l'air évacué dans la cuisine.

Avec conduit

Pour l'installation avec conduit, il est recommandé d'utiliser un conduit rigide ou semi-rigide de 6 po (152 mm) de diamètre. Un trou circulaire de 6 5/16 po (160 mm) (min.) est alors requis dans le plafond ou le mur. Veuillez vous assurer de positionner le trou correctement.

Pour une efficacité optimale, utilisez le trajet de conduit le plus court et le plus droit possible, ainsi qu'un conduit rigide ou semi-rigide afin d'atténuer le bruit et augmenter la circulation d'air. Un conduit en métal flexible doit uniquement être utilisé en dernier recours (dans des installations difficiles); en pareil cas, veillez à ce qu'il soit aussi droit, lisse et allongé que possible.

Avec recirculation

Pour que le produit puisse fonctionner en faisant recirculer l'air, veuillez acheter un déflecteur de recirculation et des filtres à charbon ou kit de recirculation (reportez-vous à la section 'Pièces et accessoires'). Ce déflecteur de recirculation est requis pour évacuer l'air par les événements latéraux dans le haut de la cheminée, et les filtres à charbon, pour éliminer les odeurs.

Remarque : aucune ouverture de conduit n'est requise dans le mur ou le plafond si la hotte de ventilation est installée de manière à faire recirculer l'air évacué.

INSTRUCTIONS D'INSTALLATION

MISE EN GARDE!

- Ce produit est lourd et doit être installé par deux personnes.
- L'installation et le câblage électrique doivent être réalisés par une ou plusieurs personne(s) qualifiée(s), en conformité avec tous les codes et toutes les normes applicables.

IMPORTANT!

Portez des gants pour vous protéger des rebords tranchants.

Le fabricant n'est pas responsable des dommages résultant du non-respect de ces instructions.

Installation

① Préparation pour l'installation :

Avant d'installer votre hotte de ventilation :

- Veuillez lire attentivement les instructions.
- Déballez la hotte de ventilation.
- Assurez-vous que la tension (V) et la fréquence (Hz) indiquées sur la plaque signalétique correspondent à la tension et la fréquence sur le site d'installation.
- Vérifiez que la section à l'arrière de la surface d'installation devant être percée ne contient aucun câble électrique, tuyau, etc.
- Les surfaces de la hotte de ventilation peuvent être endommagées pendant l'installation en cas de frottement ou contact avec un outil. Veuillez vous assurer de protéger les surfaces pendant l'installation.
- Protégez la surface de cuisson avec du carton ou un matériau semblable pour éviter de l'endommager pendant l'installation de la hotte de ventilation.
- Marquez temporairement la hauteur de la partie inférieure de la hotte de ventilation et le centre de la surface de cuisson sur le mur, conformément aux informations indiquées dans la section 'Instructions d'installation - Hauteur de la hotte de ventilation'.
- Le mur servant à installer la hotte de ventilation doit être suffisamment solide et comporter une surface plane.

② Fixez les supports de cheminée et les vis de montage de la hotte de ventilation sur le mur

- Fixez le support de cheminée et le support de cheminée supérieure (si vous utilisez cette dernière) aux emplacements indiqués dans la Fig.2 (page 39) et la Fig.3 (page 40). Utilisez les vis de $1\frac{3}{16}$ po (30 mm) (ainsi que les chevilles expansibles, si vous les fixez à la maçonnerie).
- Fixez les vis de montage supérieures de la hotte de ventilation aux emplacements indiqués dans la Fig.2 (page 39) et la Fig.3 (page 40). Utilisez les vis de $1\frac{3}{16}$ po (30 mm) (ainsi que les chevilles expansibles, si vous les fixez à la maçonnerie). Assurez-vous de laisser un espace de $\frac{1}{16}$ po (2 mm) entre la tête de vis et le mur (Fig.1).

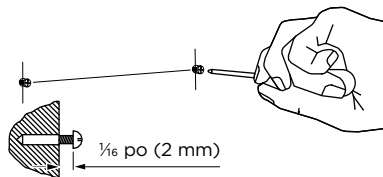


Fig.1

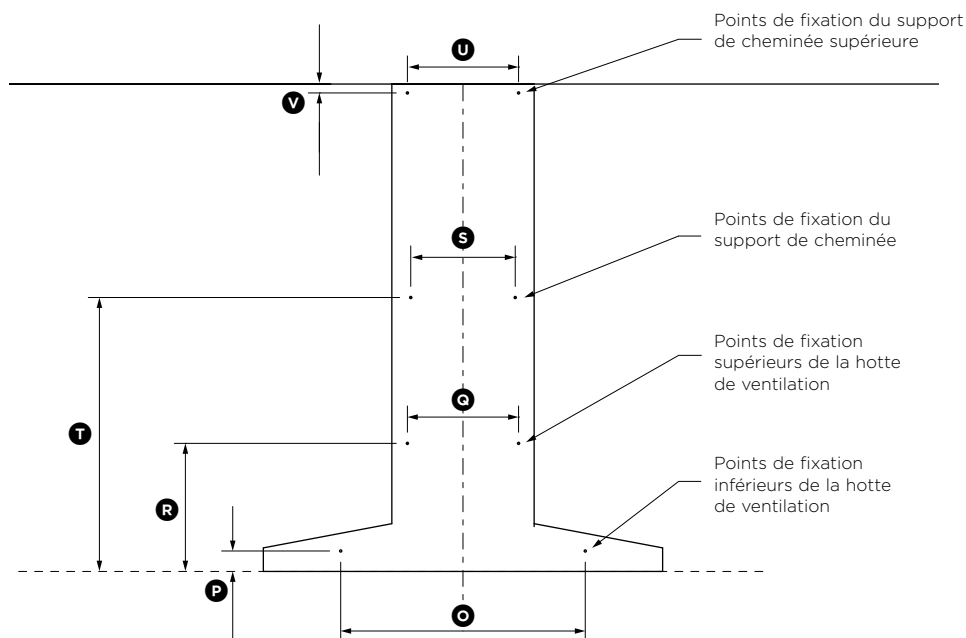


Fig.2

DIMENSIONS DU PRODUIT	pouces (mm)
ⓐ Largeur des points de fixation inférieurs de la hotte de ventilation	20 po (508)
ⓑ Hauteur des points de fixation inférieurs de la hotte de ventilation	1 ¹¹ / ₁₆ po (43)
ⓒ Largeur des points de fixation supérieurs de la hotte de ventilation	9 ⁷ / ₈ po (250)
ⓓ Hauteur des points de fixation supérieurs de la hotte de ventilation	11 ⁵ / ₁₆ po (288)
ⓔ Largeur des points de fixation du support de cheminée	9 ¹ / ₄ po (235)
ⓕ Hauteur des points de fixation du support de cheminée	22 ¹ / ₄ po (566)
ⓖ Largeur des points de fixation du support de cheminée supérieure	9 ⁷ / ₈ po (250)
ⓗ Hauteur des points de fixation du support de cheminée supérieure	1 po (25)

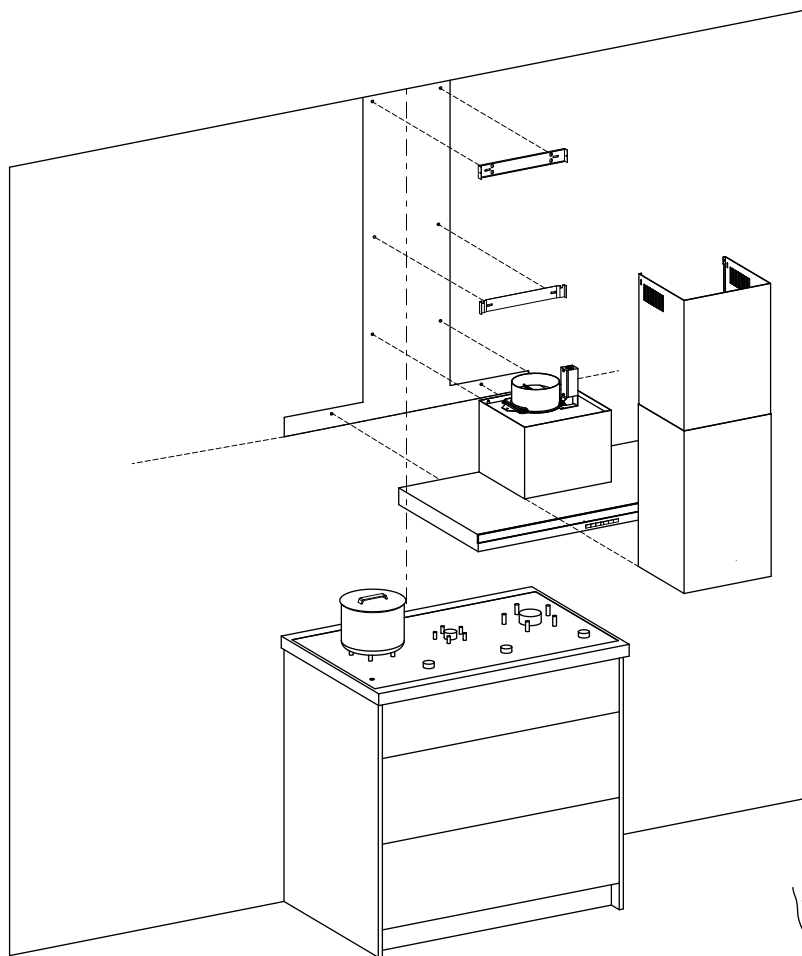
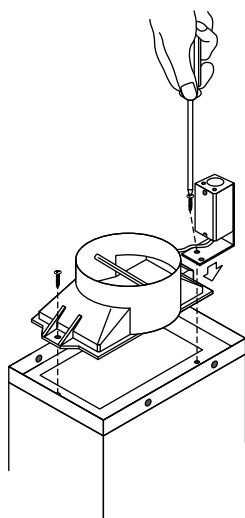


Fig.3

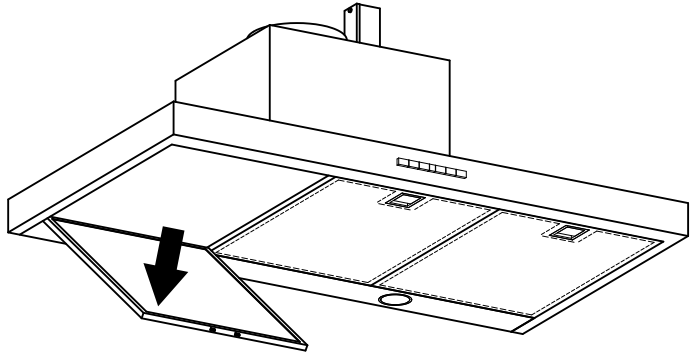
③ **Installez l'adaptateur de conduit et le boîtier de raccordement d'alimentation à la hotte de ventilation**

- Placez l'adaptateur de conduit sur la hotte de ventilation, puis vissez-le en place à l'aide des vis de $\frac{3}{8}$ po (10 mm).
- Placez le boîtier de raccordement d'alimentation sur la hotte de ventilation, puis vissez-le en place à l'aide des vis de $\frac{3}{8}$ po (10 mm).
- Suivez les instructions de câblage présentées dans la section 'Raccordement électrique' à la page 42.

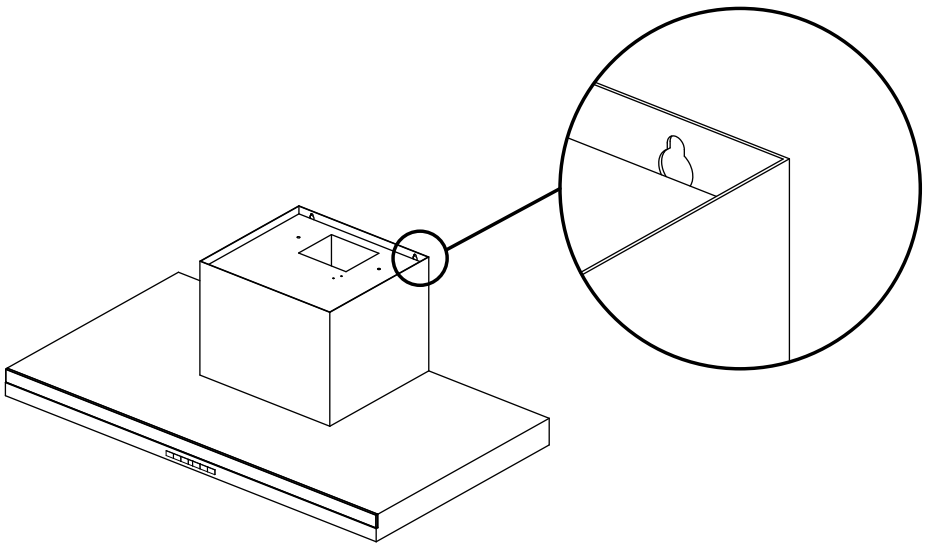


④ Montage au mur

- Retirez les filtres - tirez sur le loquet afin d'incliner le filtre vers le bas jusqu'à ce qu'il se désengage des supports.



- Suspendez la hotte de ventilation sur les vis de montage supérieures avec un espace de $\frac{1}{16}$ po (2 mm). Suspendez-la à l'aide des points de fixation avec encoche en trou de serrure situés à l'arrière, puis serrez les vis.



- Installez les vis de montage inférieures de la hotte de ventilation pour la fixer au mur.
- Réinstallez les filtres.

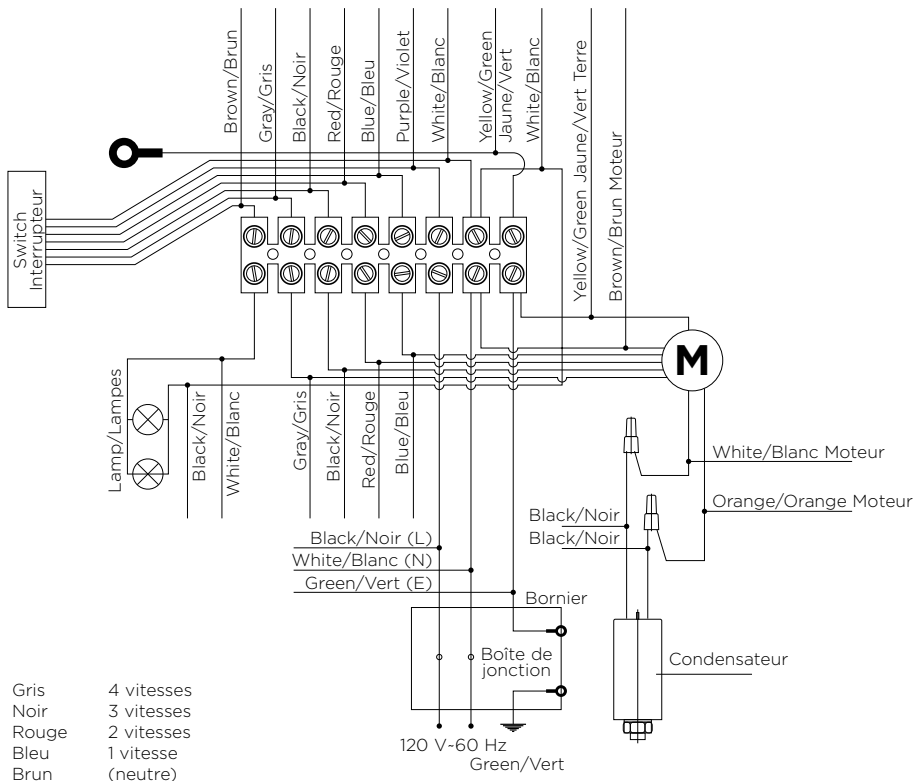
INSTRUCTIONS D'INSTALLATION

MISE EN GARDE!

Le câblage électrique doit être réalisé par une ou plusieurs personne(s) qualifiée(s), en conformité avec tous les codes et toutes les normes applicables, en veillant à ce que l'appareil soit mis à la terre.

⑤ Raccordement électrique

- Acheminez trois fils, deux pour l'alimentation et un pour la mise à la terre, du boîtier de raccordement d'alimentation sur la hotte de ventilation à un point de raccordement situé près de l'emplacement d'installation.
- Ouvrez le boîtier de raccordement d'alimentation sur la hotte de ventilation et fixez le conducteur d'alimentation à l'aide d'un serre-câble homologué cULus (non compris).
- Connectez les conducteurs d'alimentation aux conducteurs de la hotte de ventilation, le noir au noir et le blanc au blanc.
- Connectez le fil de mise à la terre (vert ou dénudé) au conducteur de mise à la terre (vert) du boîtier de raccordement d'alimentation de la hotte de ventilation.
- Fixez tous les raccordements à l'aide de capuchons de connexion homologués cULus.
- Réinstallez le couvercle du boîtier de raccordement d'alimentation.

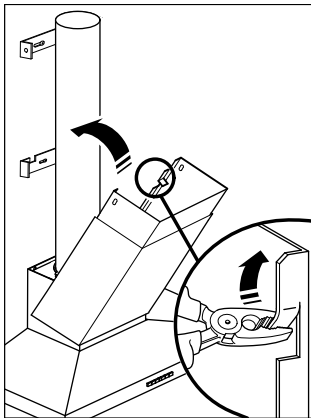
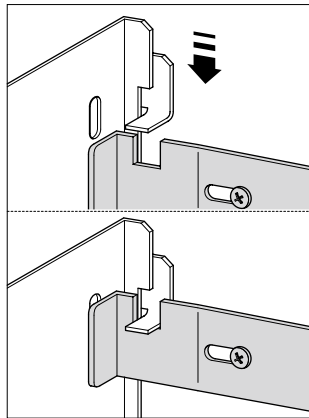
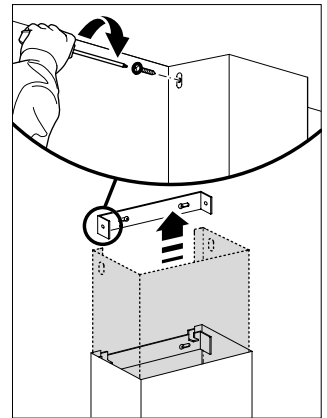


⑥ Fixez le conduit

- Fixez le conduit à l'adaptateur de conduit à l'aide de ruban adhésif en toile d'aluminium, de manière à évacuer l'air vers l'extérieur.

⑦ Fixez la cheminée

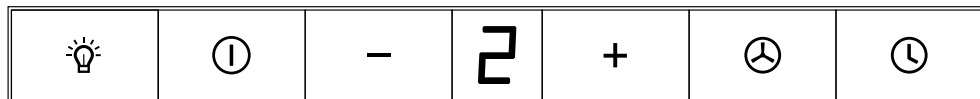
- Pliez les languettes sur la cheminée (**A**).
- Placez la cheminée autour du châssis de la hotte de ventilation, puis suspendez-la sur le support de cheminée (**B**).
- Installez la cheminée supérieure et fixez-la au support de cheminée supérieure à l'aide des vis de 1/16 po (10 mm) (**C**).

**A****B****C****⑧ Retirez l'emballage**






- Retirez tous les matériaux d'emballage et toutes les enveloppes de protection.

INSTRUCTIONS D'UTILISATION

Panneau de commande tactile



FONCTIONNALITÉS DU PANNEAU DE COMMANDE

	Lampes	Permet d'allumer ou éteindre les lampes.
	Mise en MARCHÉ/ ARRÊT	Permet de mettre en marche ou d'arrêter la hotte de ventilation. Le ventilateur s'active automatiquement pour fonctionner au niveau 1.
-	Réduction de la vitesse du ventilateur	Permet de régler la vitesse du ventilateur à des niveaux de 1 à 4, 1 étant le réglage le moins rapide.
	Indicateur de vitesse du ventilateur	L'icône de niveau de vitesse du ventilateur s'allume en rouge en indiquant la vitesse actuelle.
+	Augmentation de la vitesse du ventilateur	Permet de régler la vitesse du ventilateur à des niveaux de 1 à 4, 4 étant le réglage le plus rapide.
	Vitesse maximale	Permet de mettre en marche le ventilateur directement à la vitesse de ventilateur maximale.
	Minuterie	Permet d'activer la minuterie. Le témoin de vitesse du ventilateur clignotera et le ventilateur fonctionnera pendant 5 minutes à la vitesse actuelle, puis à chacune des vitesses inférieures jusqu'à l'arrêt (le ventilateur s'arrêtera et le témoin s'éteindra). Pour annuler la minuterie, appuyez une fois sur la touche de minuterie.

Remarque : pour une efficacité optimale, il est recommandé de mettre en marche la hotte de ventilation avant de débiter la cuisson.

IMPORTANT!

La hotte de ventilation pourrait cesser de fonctionner en cas de décharge électrostatique (par ex. : éclair). Interrompez l'alimentation électrique à la hotte de ventilation, puis rétablissez-la après une minute.

MISE EN GARDE!

Débranchez ou déconnectez l'appareil de l'alimentation électrique avant de procéder à l'entretien ou au nettoyage.

IMPORTANT!

- N'utilisez jamais de nettoyeurs abrasifs ou à base d'huile.
- Portez des gants pour vous protéger des rebords tranchants.

Entretien

La hotte de ventilation doit être nettoyée régulièrement à l'aide d'un détergent liquide doux et d'un chiffon doux et propre pour éviter l'accumulation de dépôts de graisse. Évitez d'utiliser des produits chimiques corrosifs, des produits de nettoyage abrasifs, des brosses dures et des tampons de laine d'acier. Les dépôts de graisse sont corrosifs et peuvent endommager votre hotte de ventilation.

Remarque : dans les régions où l'humidité est élevée ou les environnements côtiers, le nettoyage doit être effectué plus fréquemment.

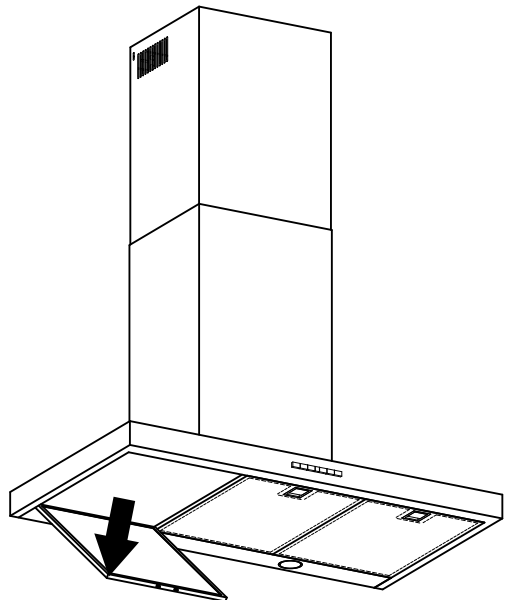
Filtres en aluminium

- Selon la fréquence d'utilisation, et au moins une fois par mois, vous devez retirer les filtres en aluminium et les nettoyer avec de l'eau savonneuse et chaude ou dans un lave-vaisselle.
- Si vous les lavez au lave-vaisselle, vous devez placer les filtres dans une position verticale pour éviter que des aliments se déposent sur ceux-ci.
- Après le rinçage et le séchage, réinstallez les filtres.

Remarque : une certaine décoloration pourrait se produire sur les cadres.

Retrait des filtres en aluminium :

- ① Tirez sur le loquet afin d'incliner le filtre vers le bas jusqu'à ce qu'il se désengage des supports.
- ② Suivez ces instructions dans l'ordre inverse pour réinstaller les filtres.



MISE EN GARDE!

Avant de remplacer une ampoule, laissez l'ampoule refroidir et assurez-vous que l'alimentation de la hotte de ventilation est interrompue. Utilisez de nouvelles ampoules correspondant aux valeurs indiquées sur la plaque signalétique de la hotte de ventilation.

Filtres à charbon - pour l'utilisation en mode de recirculation

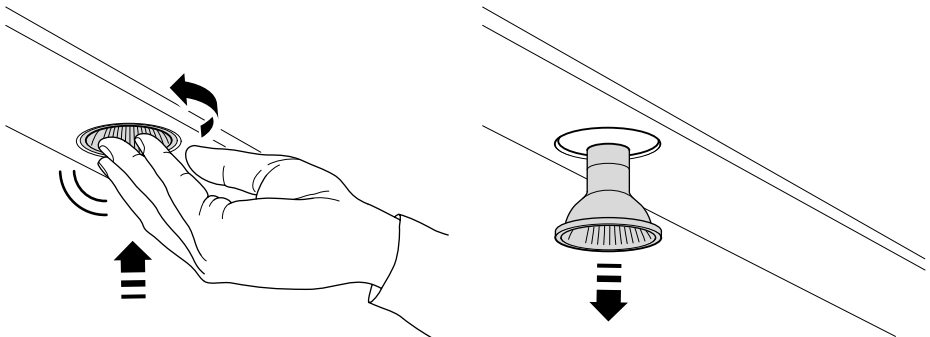
Les filtres à charbon actif sont des éléments jetables conçus pour éliminer la graisse et les odeurs des vapeurs de cuisson avant que l'air ne soit redirigé dans la cuisine. Pour fonctionner adéquatement, les filtres à charbon actif doivent être remplacés périodiquement, au moins une fois tous les trois mois, selon la fréquence d'utilisation de la hotte de ventilation.

Remarque : les filtres à charbon saturés peuvent obstruer la circulation de l'air et ainsi réduire l'efficacité de la hotte de ventilation. En cas d'incendie, les filtres chargés de graisse peuvent être inflammables; par conséquent, il est recommandé de les remplacer régulièrement.

Remplacement des ampoules

Remarque : les ampoules de rechange ne sont pas couvertes par la garantie.

- ① Retirez les filtres en aluminium.
- ② Poussez légèrement l'ampoule vers le haut, puis tournez-la dans le sens contraire des aiguilles d'une montre pour la retirer.
- ③ Remplacez l'ampoule par une nouvelle ampoule dont la puissance n'est pas supérieure à celle spécifiée.
- ④ Réinstallez les filtres en aluminium.



ARTICLE	NUMÉRO DE RÉFÉRENCE
Ampoule LED	792579
Filtre en aluminium	792558
Filtre à carbone de recirculation x2	791772
Défecteur de recirculation	792580

SERVICE ET GARANTIE

Pour plus de détails sur la garantie du fabricant et les coordonnées pour le service, veuillez vous reporter au manuel d'entretien et de garantie distinct, fourni avec votre hotte.

Remplir et conserver pour référence ultérieure :

Modèle _____

N° de série _____

Date d'achat _____

Acheteur _____

Détaillant _____

Ville _____

État/Province _____

Code postal _____

Pays _____

FISHERPAYKEL.COM

© Fisher & Paykel Appliances 2018. All rights reserved.

The product specifications in this booklet apply to the specific products and models described at the date of issue. Under our policy of continuous product improvement, these specifications may change at any time. You should therefore check with your Dealer to ensure this booklet correctly describes the product currently available.

© Fisher & Paykel Appliances 2018. Tous droits réservés.

Les caractéristiques de produit présentées dans ce livret s'appliquent aux modèles et produits spécifiques qui y sont décrits à la date de publication. Dans le cadre de notre politique d'amélioration en permanence de nos produits, ces caractéristiques peuvent être modifiées à tout moment. Nous vous recommandons de vérifier auprès de votre détaillant que ce livret décrit le produit actuellement disponible.

US CA

104253F 10.18