



**Florestone
Model 48-3W
Fiberglass Shower**

48" x 35" x 73½"

Weight: 105 lbs.

**Architect's
Specifications**

Furnish and install one piece shower unit Model 48-3W as manufactured by Florestone Products Company. Unit to be manufactured of gel-coated fiberglass meeting Class C Flame Retardance and to be supplied with slip-resistant floor laminated for extra rigidity. Color will be white (unless otherwise specified).

Unit to be supplied with 2" PNC non-caulk drain.

Specify right hand or left hand seat.

Standard Color: White

Standard Features: Molded-In Seat

Optional Colors

Colors matching most major manufacturers' colors are available.

Standards

I.A.P.M.O. Listed
File 0687
ANSI-Z-124.2

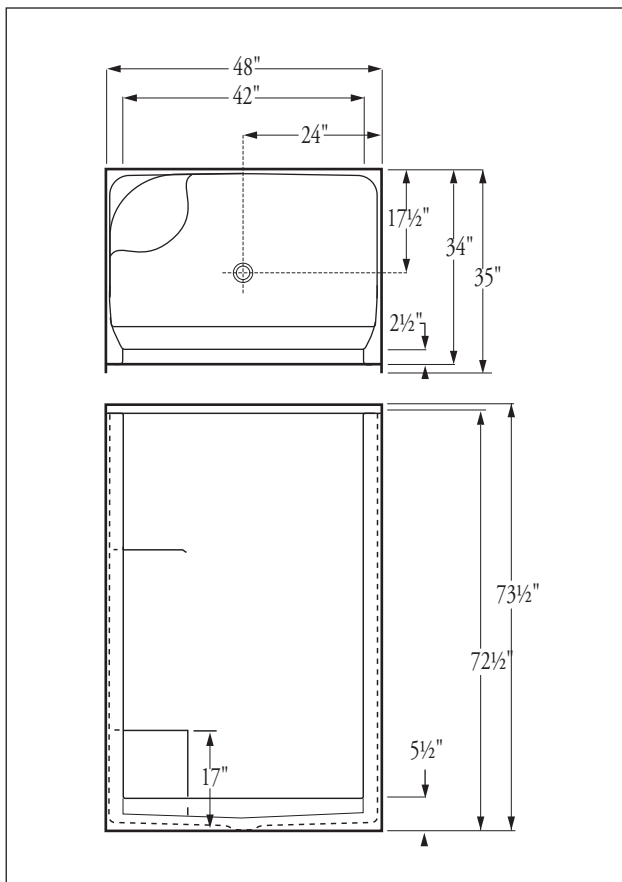


FLORESTONE PRODUCTS CO., INC.

2851 Falcon Drive • Madera, CA 93637

T. 559.661.4171 • T. 800.446.8827

F. 559.661.2070 • florestone.com



**Dimensions may vary ± 1/4" inch.
Please check unit before installation.**