

**Florestone  
Model 23-2HR  
Barrier-Free Terrazzo  
Shower Receptor**

46¼ x 52" x 3"  
Weight: 500 lbs.

**Architect's  
Specifications**

Furnish and install wheelchair accessible terrazzo shower receptor Model 23-2HR as manufactured by Florestone Products Company. Flanges on three sides, cast integral, shall be of galvanized-bonderized steel and shall extend not less than 1" above the shoulders. Shoulders on three sides shall be not less than 2½" inside. Threshold shall be not more than ½" above receptor floor to allow for barrier free entrance. Drain body shall be brass, cast integral, and shall provide for a non-caulked connection not less than one inch deep to a 2" pipe. Removable type stainless steel strainer plate shall be supplied. Receptor shall be manufactured of tan and white marble chips cast in white Portland cement to produce a compressive strength of not less than 3,000 PSI, seven days after casting. Terrazzo surface shall be ground, polished, and the entire unit sealed to resist stains and moisture after any air holes and/or pits are grouted. Receptors reinforced with 16-gauge wire.

**Note:** Terrazzo is not designed to be used with anything that is over 130 degrees Fahrenheit.

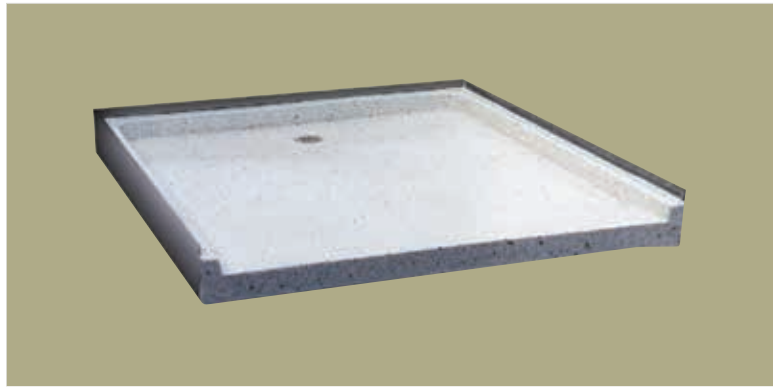
**Standards:**

I.A.P.M.O. File No. 0687



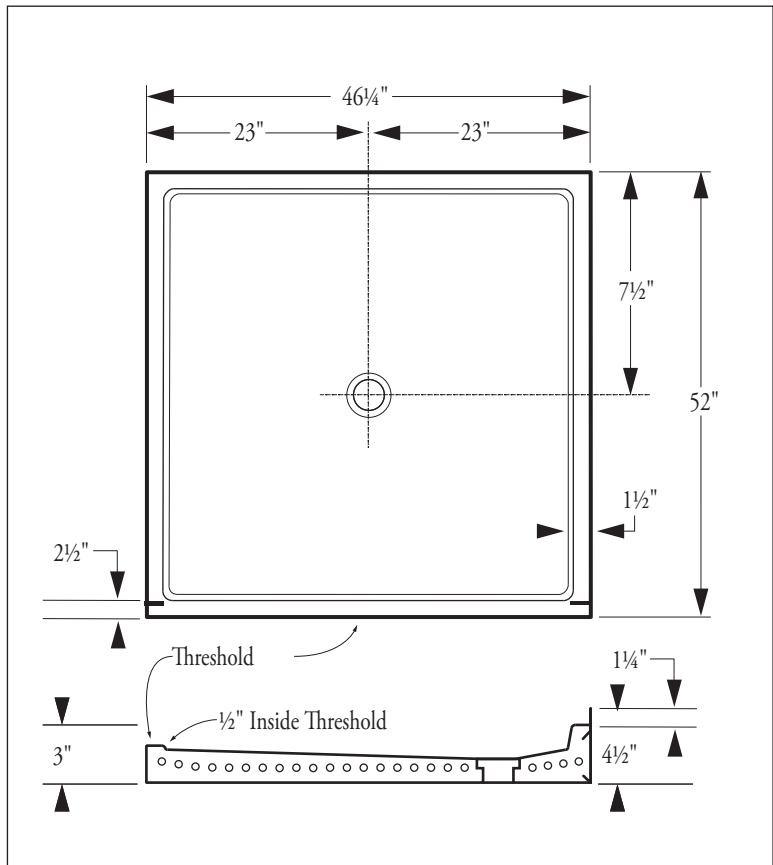
**FLORESTONE PRODUCTS CO., INC.**

2851 Falcon Drive • Madera, CA 93637  
T. 559.661.4171 • T. 800.446.8827  
F. 559.661.2070 • florestone.com



**Model 23-2HR**

Barrier free, wheelchair accessible Terrazzo Shower Receptor. Reduced threshold height for wheelchair accessibility.



**Dimensions may vary ± ¼" inch.  
Please check unit before installation.**

**For barrier-free installation,  
contractor shall provide recess for curb in sub floor.**

Dimensions subject to change without notice.  
Contact Florestone Products to verify product specifications.