



**Florestone
Model 6040
Catrina
Fiberglass Custom Bath**

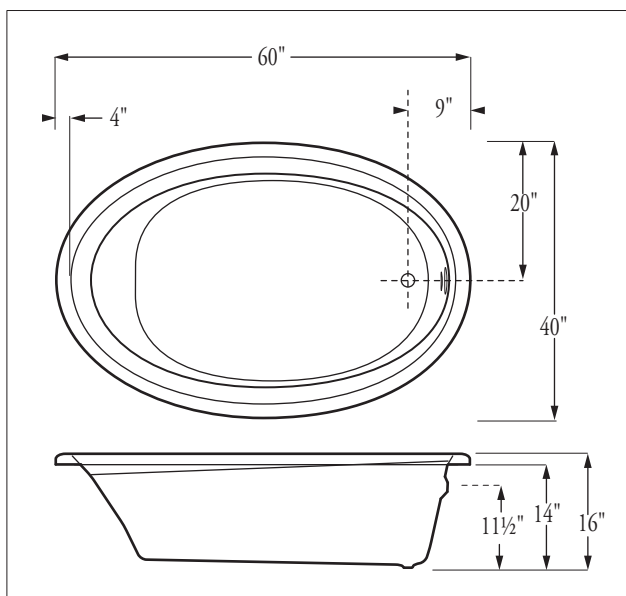
60" x 40" x 16"

Weight: 96 lbs.

Capacity: 35 gallons

**Architect's
Specifications**

Furnish and install bath unit Model 6040 as manufactured by Florestone Products Co. Unit to be manufactured of gel-coated fiberglass meeting Class C Flame Retardance. Unit to be supplied with laminated floor for extra rigidity.



**Dimensions may vary \pm 1/4" inch.
Please check unit before installation.**

**Place bath in a bed of mortar or plaster
for warranty compliance.**

Bathing Area 52" x 31" x 11 1/2"

Fiberglass Colors

Standard color: White

For availability of special order colors,
see Colors and Options.

Standards

I.A.P.M.O. Listed File 1595

ANSI-Z-124.1

ASTM-84 Test Method



 **FLORESTONE**
A Spec Above.™

FLORESTONE PRODUCTS CO., INC.

2851 Falcon Drive • Madera, CA 93637

T. 559.661.4171 • T. 800.446.8827

F. 559.661.2070 • florestone.com