

Molded Fiberglass Barrier-Free Center Drain Shower Receptor

Architect's Specifications

Furnish and install molded fiberglass one piece shower unit manufactured by Florestone Products Company. Unit to be manufactured of gel-coated fiberglass and to be supplied with slip-resistant floor laminated for extra rigidity. Color will be white (unless otherwise specified). Unit to be supplied with a 2" PNC non-caulk drain

Colors

Standard Color: White

Optional Colors: Almond, Biscuit, Bone and Special Granite Colors.

Color matching most major manufacturers' colors available.

Accessories

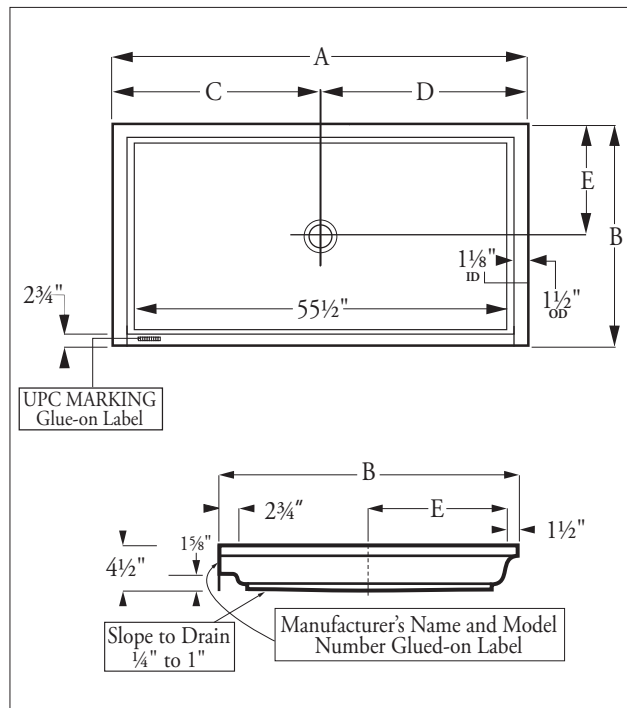
Strainer, Chrome

Strainer, Plastic

Repair Kit.



One piece, single threshold model for recessed installation. Features 1" flange on three remaining sides.



**Dimensions may vary \pm 1/4" inch.
Please check unit before installation.**

**Place receptor on a bed of mortar or
plaster for warranty compliance.**

**Dimensions subject to
change without notice.
Contact Florestone Products to
verify product specifications.**



FLORESTONE PRODUCTS CO., INC.

2851 Falcon Drive • Madera, CA 93637

T. 559.661.4171 • T. 800.446.8827

F. 559.661.2070 • florestone.com

MOLDED FIBERGLASS CENTER-DRAIN SHOWER RECEPTORS

Model	A	B	C	D	E	WT.
3963F-BF	63 1/4"	39"	31 5/8"	31 5/8"	19 1/2"	86
6060F-BF	60 1/4"	60"	30 1/8"	30 1/8"	30"	110
6063F-BF	63 1/4"	60"	31 5/8"	31 5/8"	30"	116

Standards:

I.A.P.M.O.

International Association of Plumbing and Mechanical Officials
File No. 0687.

ANSI

American National Standards Institute - Specifications Z-124.2.

