

**NEW and
IMPROVED**

RapidConnect[®]

Drain

**Freestanding tub
installation made easy**



Asymmetrical Design
Makes installation easier.

Deck Plate
18 gauge epoxy coated
metal deck flange.

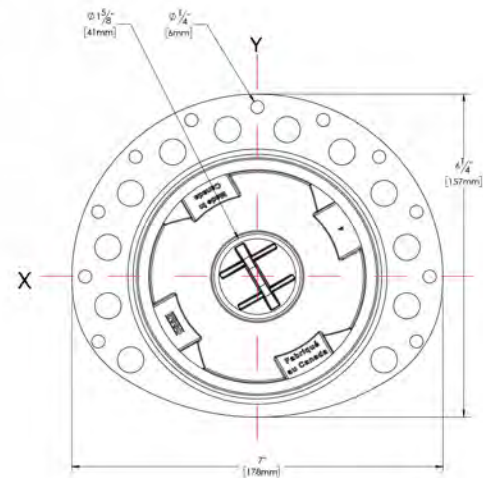
Snap-off Test Cap
Keeps debris out during construction.
Snap off after testing. Will not fall in drain.

Mortar/Concrete Setting Holes
Fixes flange to substrate.

Screw Holes
Fixes flange to sub floor
(Screws not included).

Choice of Base Materials
ABS, PVC, Cast Iron.

SEE OUR
RAPIDCONNECT[®]
DRAIN VIDEO ON
FLEURCO.COM



Features

- Newly redesigned asymmetrical 18 gauge epoxy coated metal deck flange - makes installation in tight spaces easier
- Built-in snap-off test cap - allows for water/air/smoke testing
- Freestanding tub rough-in (install before tile installation) - access below fixture not required
- Low profile design - allows for installation in 8" joist space or greater

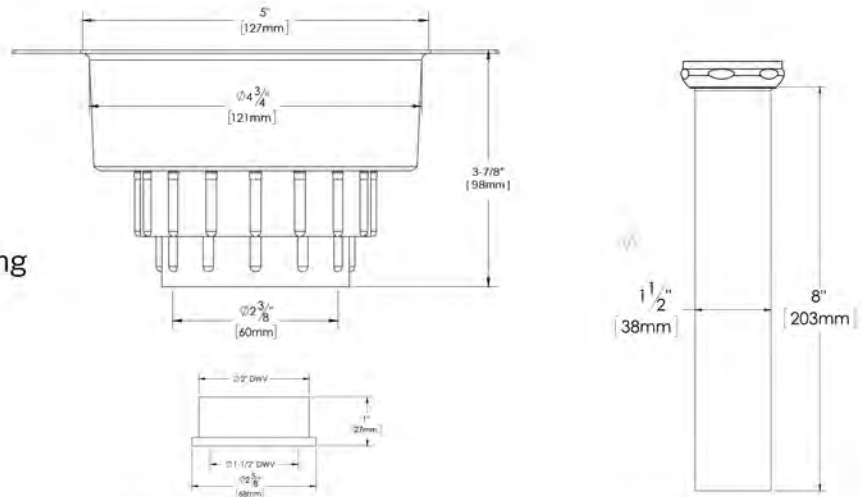
RapidConnect® Drain

Freestanding tub
installation made easy



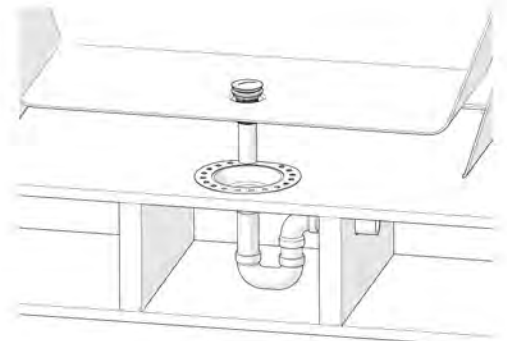
Includes

- Chrome on brass flanged tube with lock nut and poly washer
- **RapidConnect®** Drain assembly
- 2" x 1½" ABS or PVC reducing bushing
- Cutting template



Installation

- Use 5" hole saw to cut sub floor (not included)
- Cutting template included
- Secure deck flange with 6 screws (not included)
- Do not cut the brass tailpiece as this may cause a leak
- Simply slip brass tail into the **RapidConnect®** and your water tight installation is complete



ABS model: **DRAINRC-T-ABS \$299**
PVC model: **DRAINRC-T-PVC \$299**
CAST IRON model: **DRAINRC-T-CI \$370**

Certification

