

# 1517-MC19

## 19" Medicine Cabinet

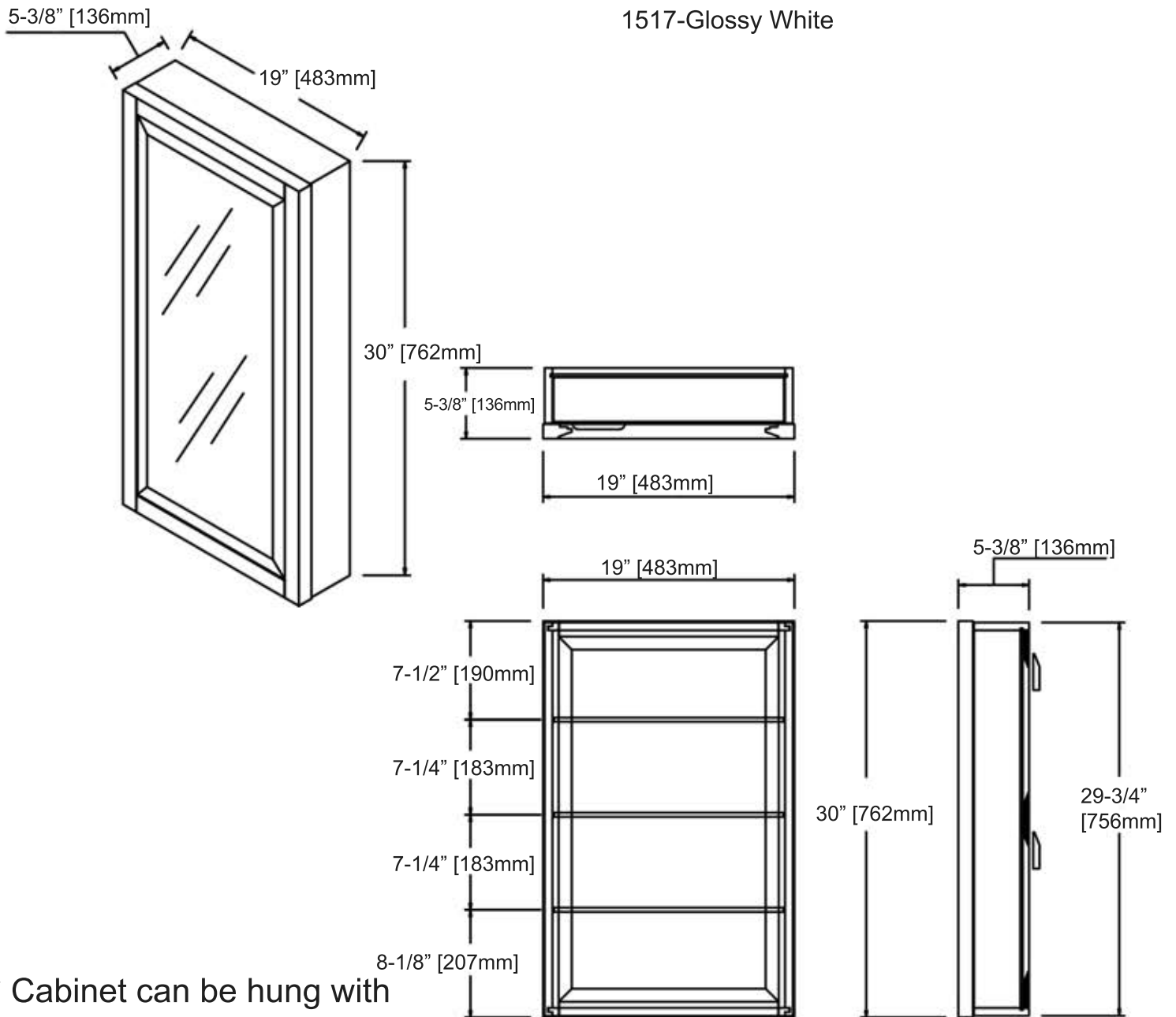
### SPECIFICATION SHEET

#### Features

Materials: Poplar Solids  
 Door: 1 (hinge-reversible)  
 Shelf: 3 (adjustable)  
 Mirror: No bevel  
 Mounting: Cleat

#### Colors / Finish

1517-Glossy White



\* Cabinet can be hung with door hinge right or left.

Date: 05/01/2018