

1511-MC20LED-R

20" Medicine Cabinet-LED

SPECIFICATION SHEET

Features

Materials: Hackberry Solids with straight grain
Oak Veneers

Door: 1 (hinge-right)

Hinges: Fully concealed, open 165°

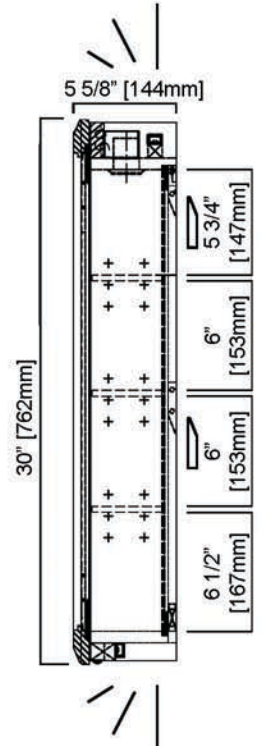
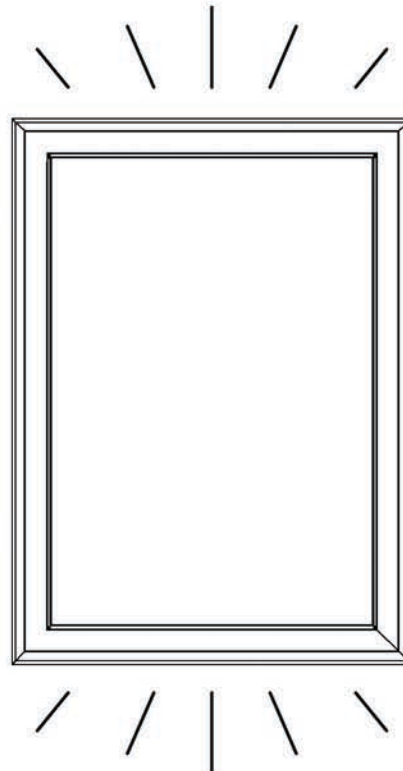
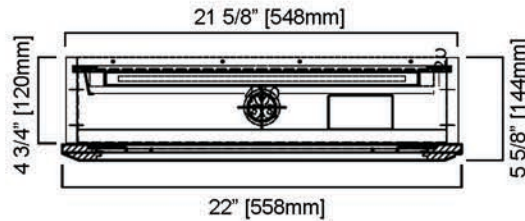
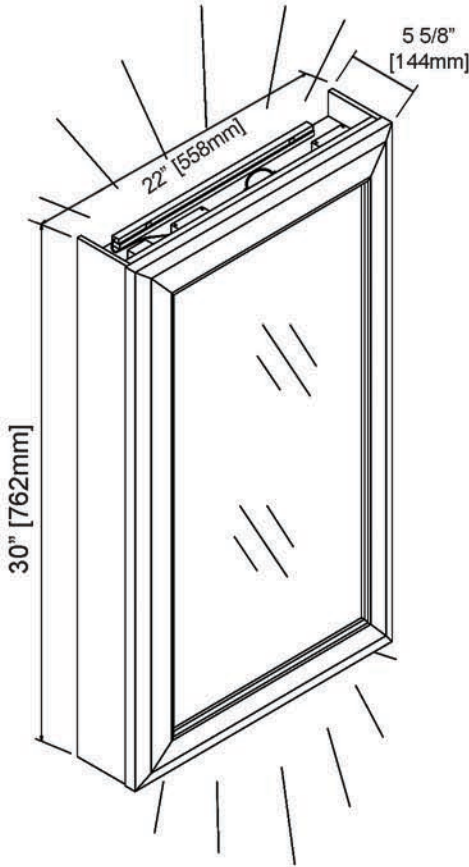
Shelf: 3 (glass) (adjustable)

Mirror: 5/8" Beveled edge

Mounting: Cleat

Colors / Finish

1511-Vintage Black



- External, concealed LED strips emit light from top and bottom of cabinet
- on/off dimmer switch located in bottom right corner beneath the frame
- 1-LED (UL certified) recessed spot light (when door open) illuminates cabinet interior