

1502-MC24 24" Medicine Cabinet

SPECIFICATION SHEET

Features

Materials: Poplar Solids with Hardwood Veneers

Doors: 1*

Hinges: Fully concealed

Shelves: 3 glass (adjustable)

Hardware: Brushed Nickel

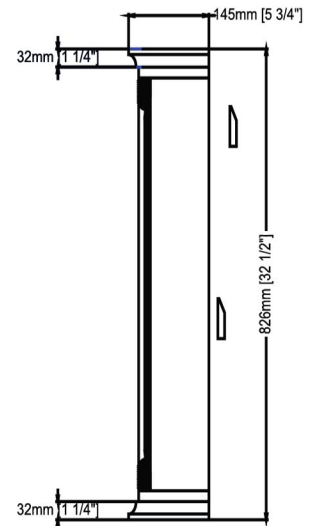
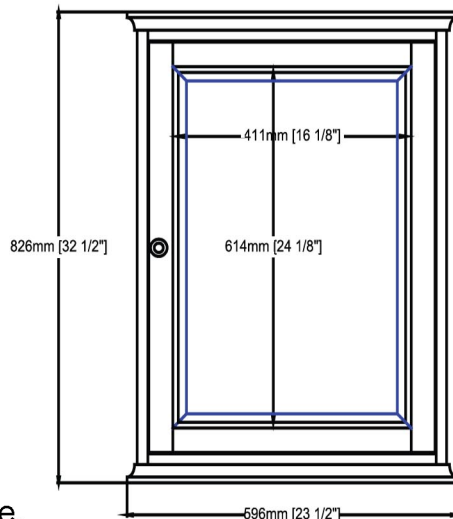
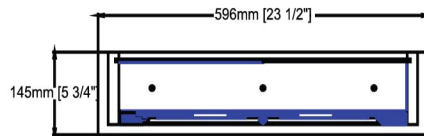
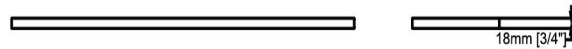
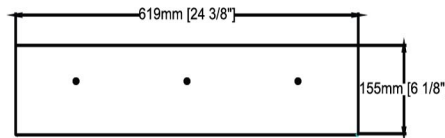
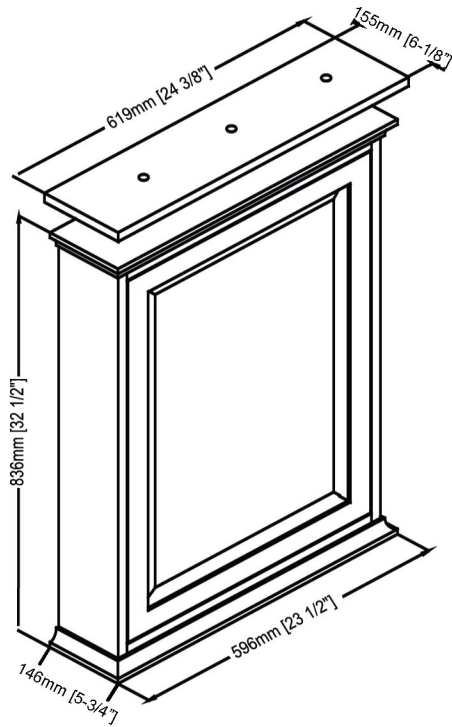
Glass: 24-1/8 x 16-1/8"

Mirror: 3/4" bevel

Mounting: Cleat

Colors / Finish

1502-Polar White



*Cabinet can be hung with door right or left. Crown is packed separately in the carton to be mounted at the jobsite.