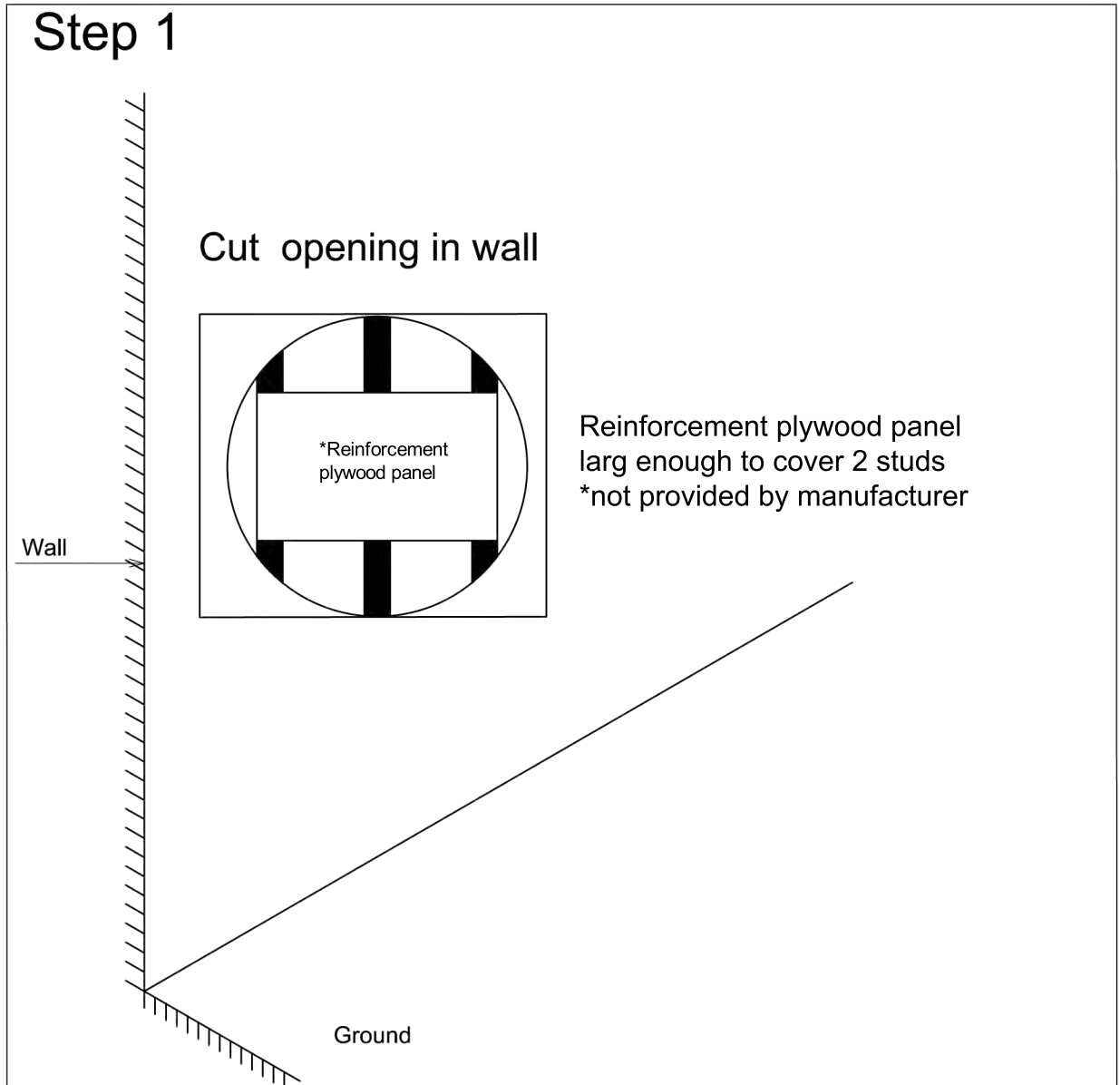
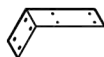








1512-WV 3021

Step 1

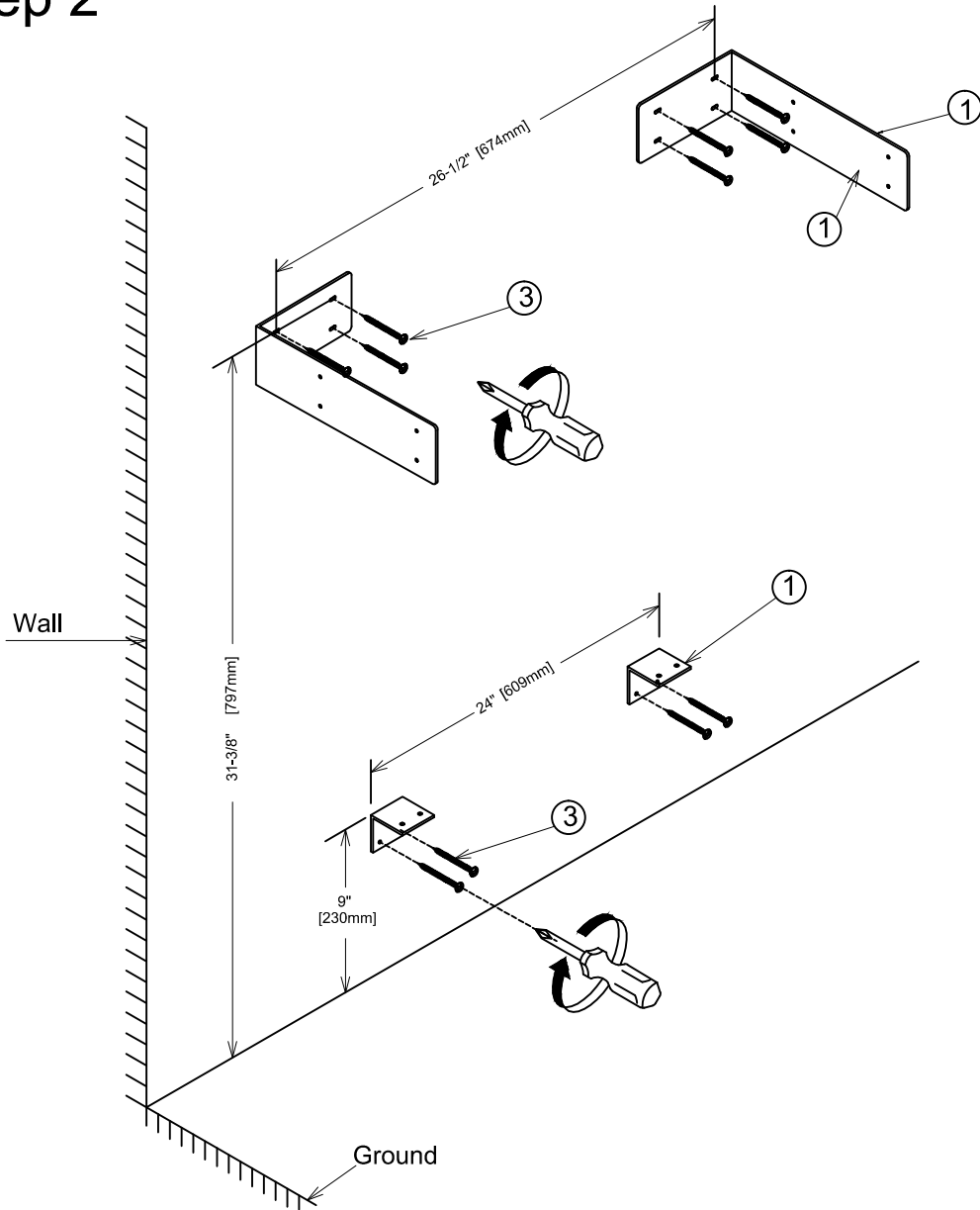


PARTS INCLUDED			TOOLS AND MATERIALS			
1		280*150*80*3MM	2 PCS	  		
2		50*50*50*3MM	2 PCS			
3		Φ8 X 38mm	12 PCS			
4		Φ3.5*15MM	10 PCS			
				Screwdriver	Tape measure	Pencil

Fairmont Designs highly recommends that you seek a professional installation specialist if you are unsure of installation. Please note: Fairmont Designs is not responsible for any installation error, damages or injuries, actual or consequential resulting from possible printing error in instruction

1512-WV 3021

Step 2

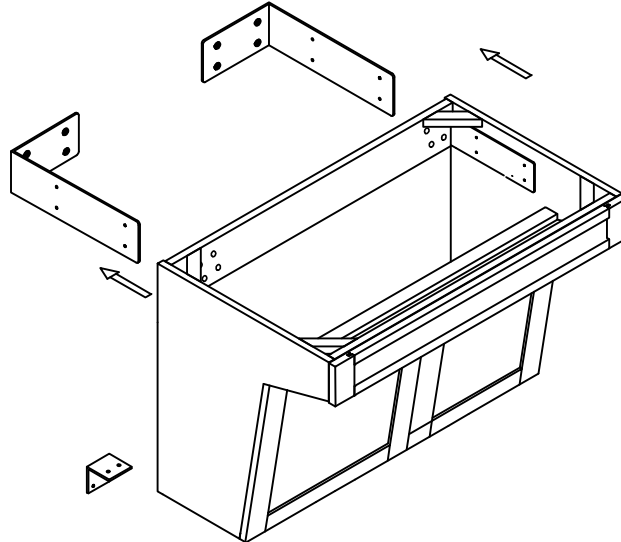


mounting bracket must
be attached to
reinforcement panel

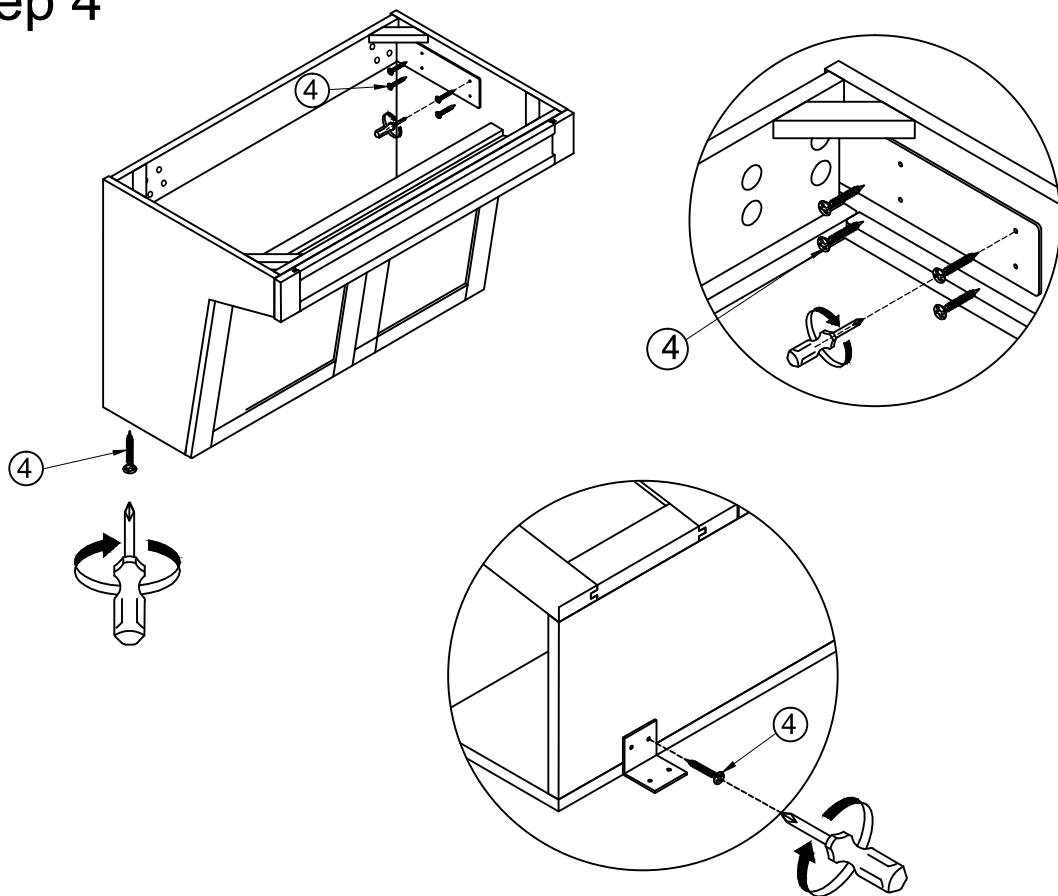
Fairmont Designs highly recommends that you seek a professional installation specialist if you are unsure of installation. Please note: Fairmont Designs is not responsible for any installation error, damages or injuries, actual or consequential resulting from possible printing error in instruction

1512-WV 3021

Step 3



Step 4



Fairmont Designs highly recommends that you seek a professional installation specialist if you are unsure of installation. Please note: Fairmont Designs is not responsible for any installation error, damages or injuries, actual or consequential resulting from possible printing error in instruction