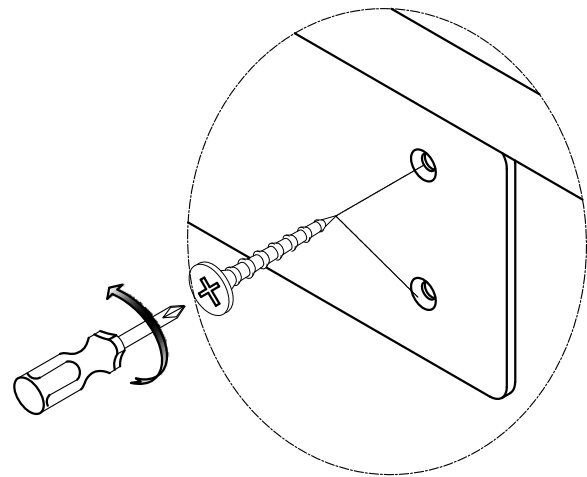
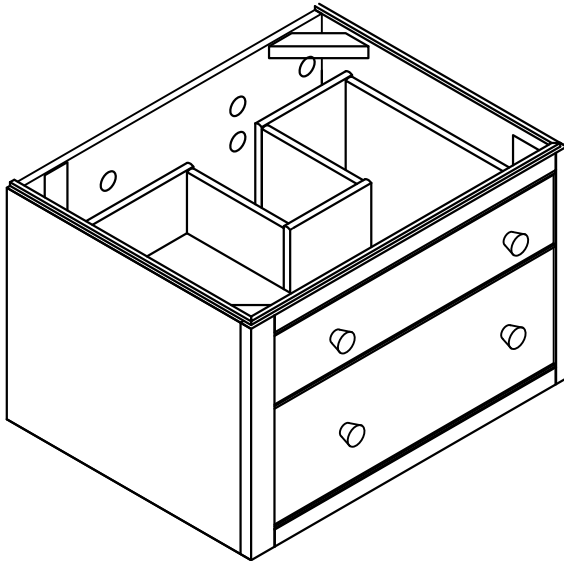
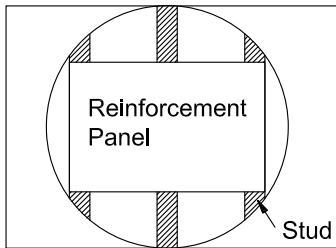


1510-WV2118

Step 1: Detach mounting bracket from vanity



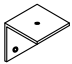






Cut opening in wall



Reinforcement Panel

* Large enough to cover 2 studs

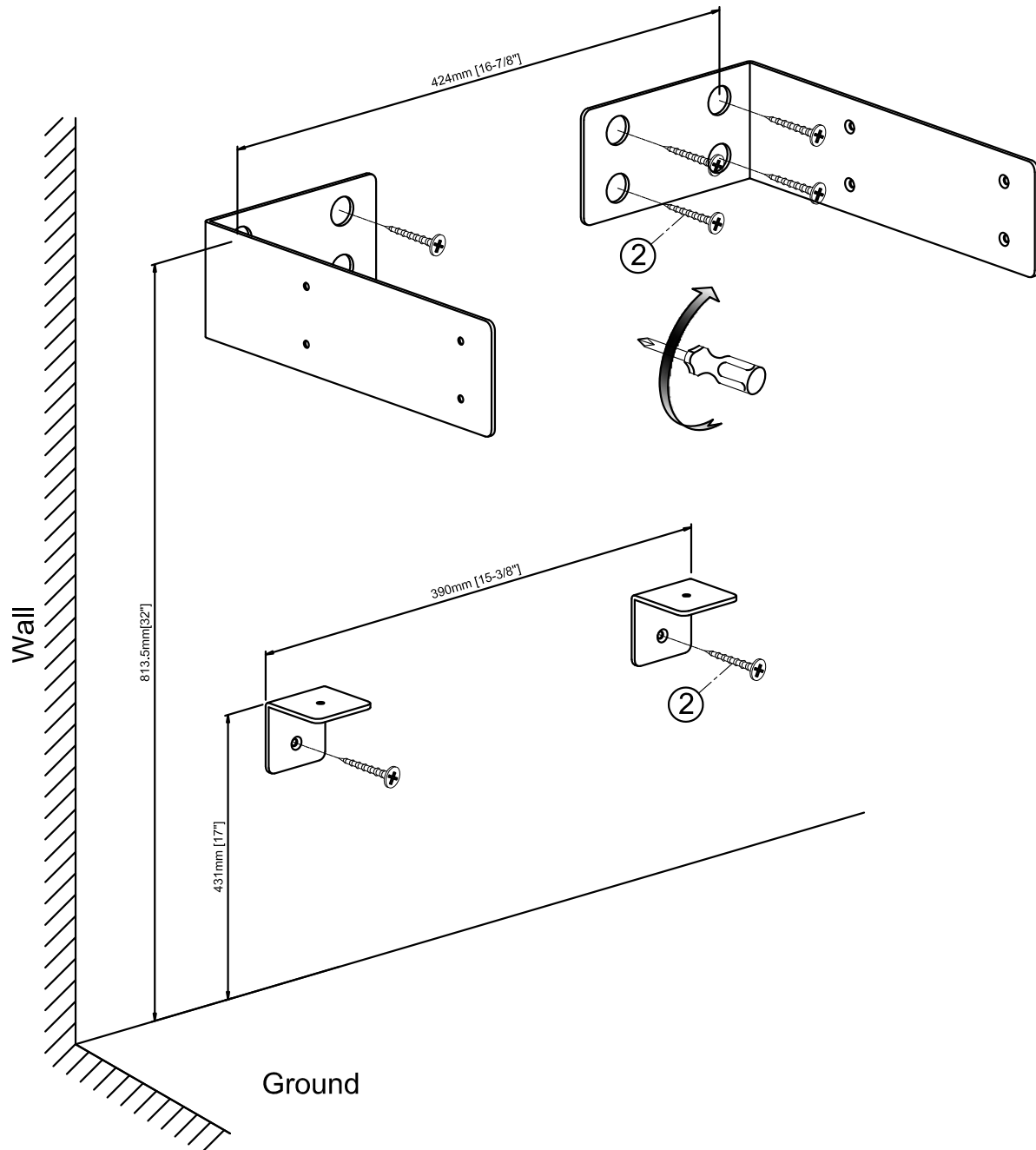
* Not provided by manufacturer

| Parts Included | | | | Tools And Materials | | | |
|----------------|---|--------------|-------|--|-------------|--------------|--------|
| 1 |  | 50x50x50x3mm | 2pcs |    | Screwdriver | Tape measure | Pencil |
| 2 |  | Ø8x38mm | 10pcs | | | | |
| 3 |  | Ø8x19mm | 2pcs | | | | |
| 4 |  | Ø10x28mm | 10pcs | | | | |

Fairmont Designs highly recommends that you seek a professional installation specialist if you are unsure of installation. Please note: Fairmont Designs is not responsible for any installation error, damages or injuries, actual or consequential resulting from possible printing error in instruction

1510-WV2118

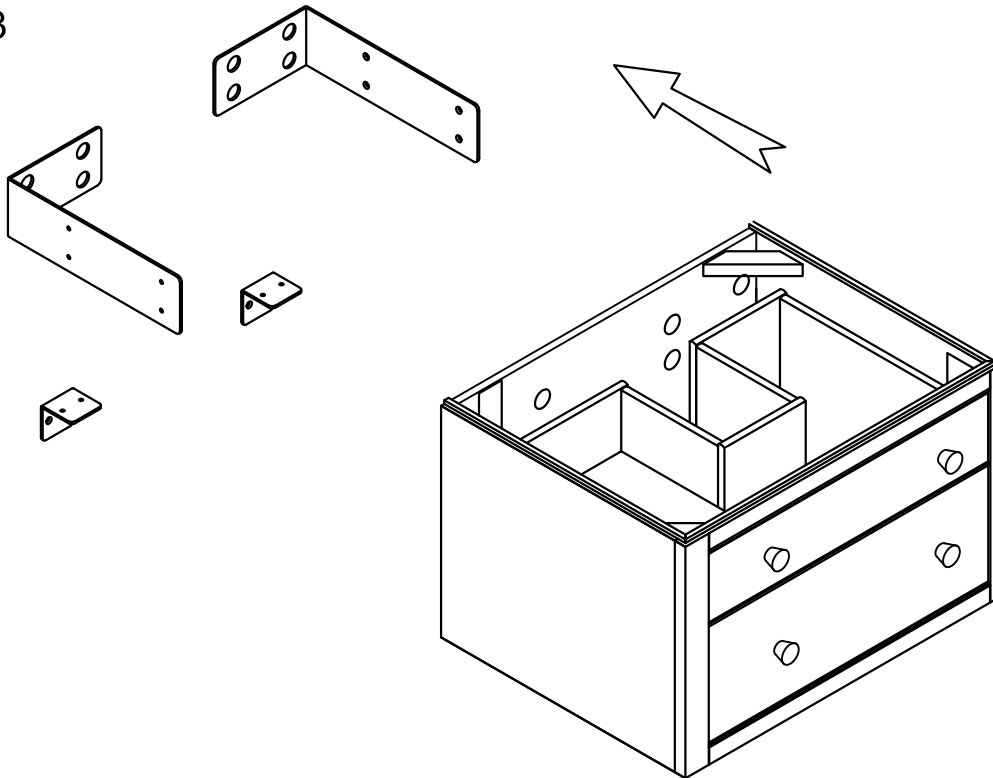
Step 2: Mounting bracket must be attached to reinforcement panel.



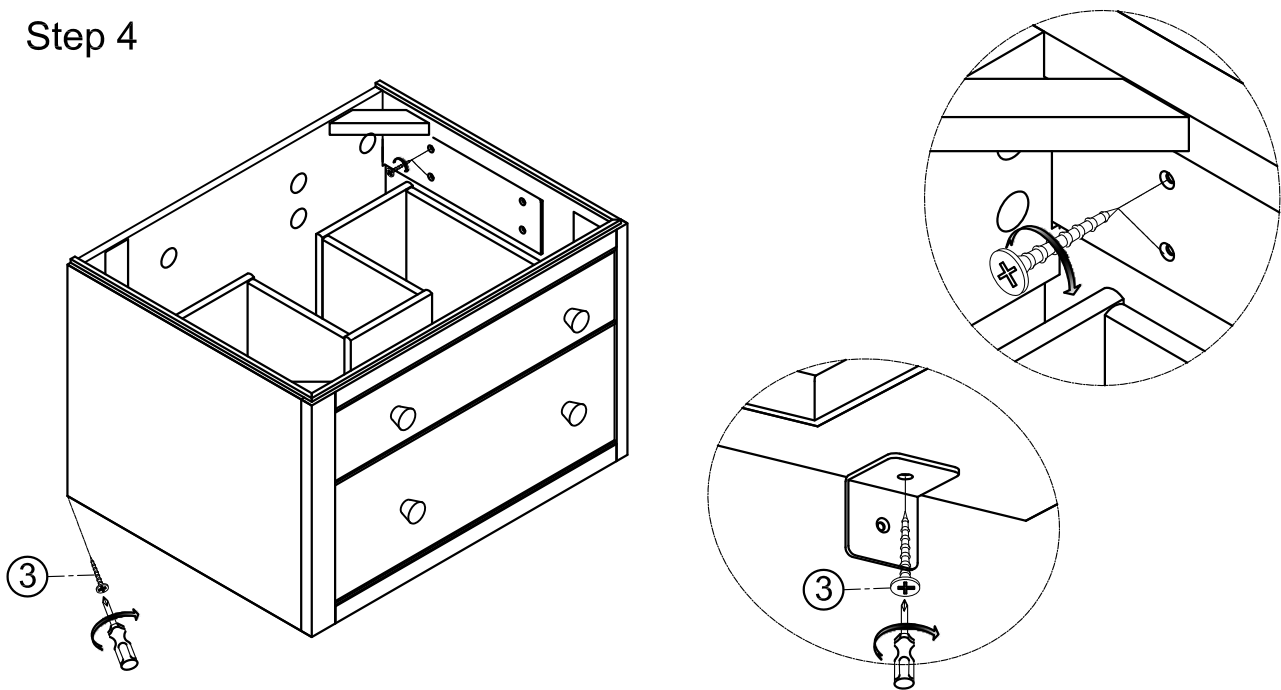
Fairmont Designs highly recommends that you seek a professional installation specialist if you are unsure of installation. Please note: Fairmont Designs is not responsible for any installation error, damages or injuries, actual or consequential resulting from possible printing error in instruction

1510-WV2118

Step 3



Step 4



Fairmont Designs highly recommends that you seek a professional installation specialist if you are unsure of installation. Please note: Fairmont Designs is not responsible for any installation error, damages or injuries, actual or consequential resulting from possible printing error in instruction