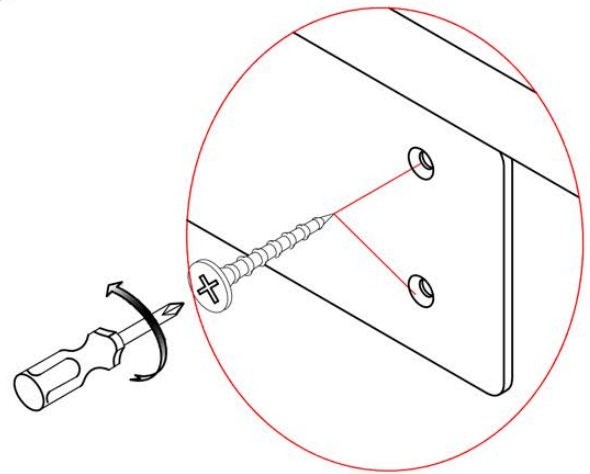
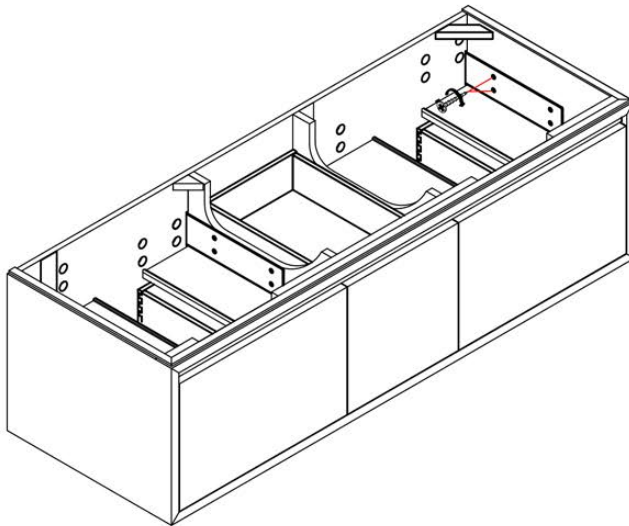


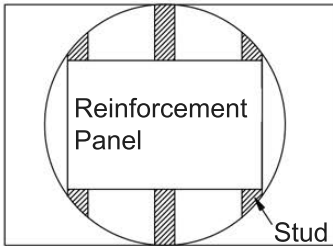
1505-WV6021D

Step 1

Detach mounting bracket from vanity



Cut opening in wall







Reinforcement Panel

* Large enough to cover 2 studs

* Not provided by manufacturer

PARTS INCLUDED

1		50x50x50x3mm	4 PCS
2		ø8x38mm	24 PCS
3		ø8x19mm	8 PCS
4		ø10x28mm	10 PCS

TOOLS AND MATERIALS



Screwdriver

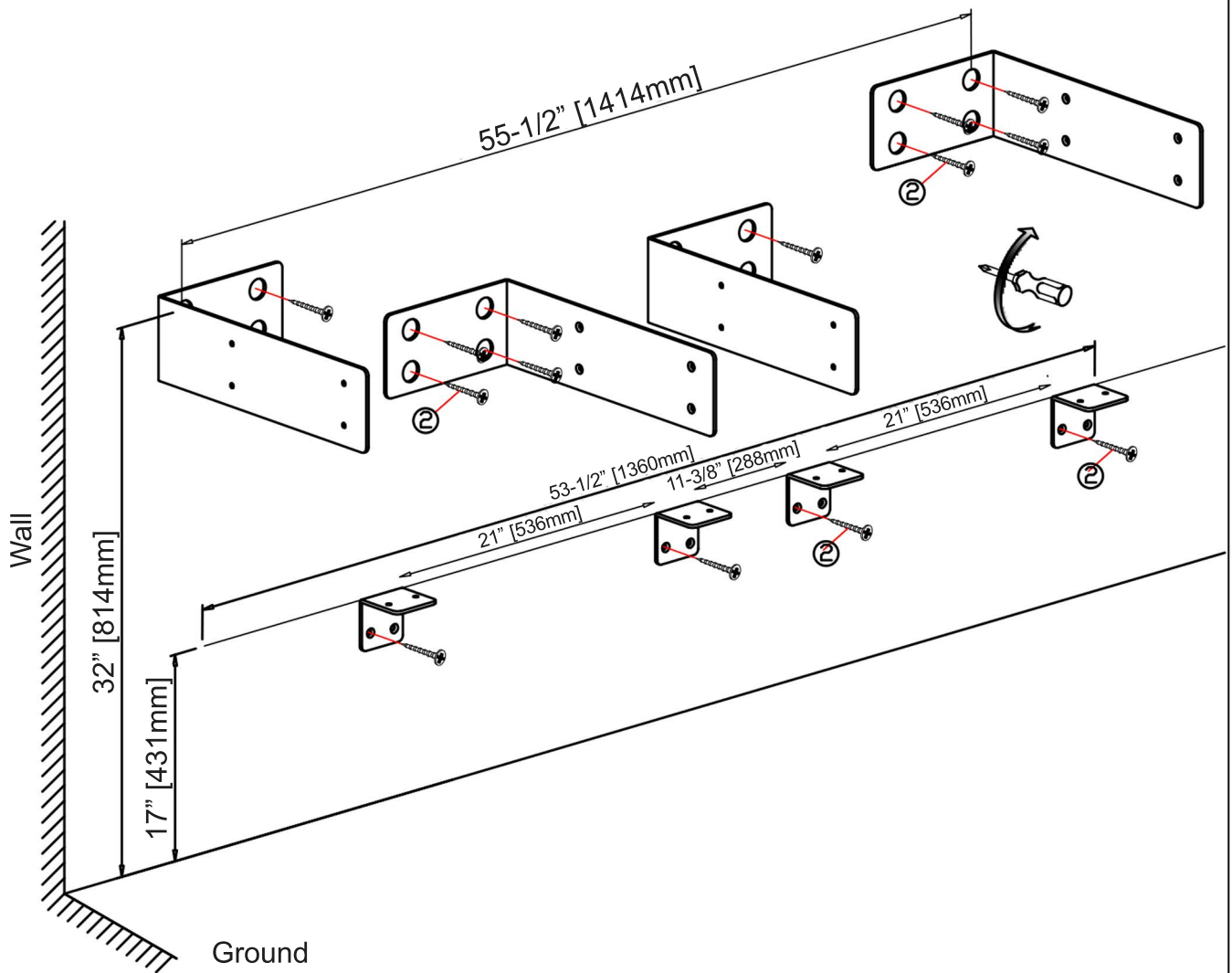
Tape Measure

Pencil

1505-WV6021D

Step 2:

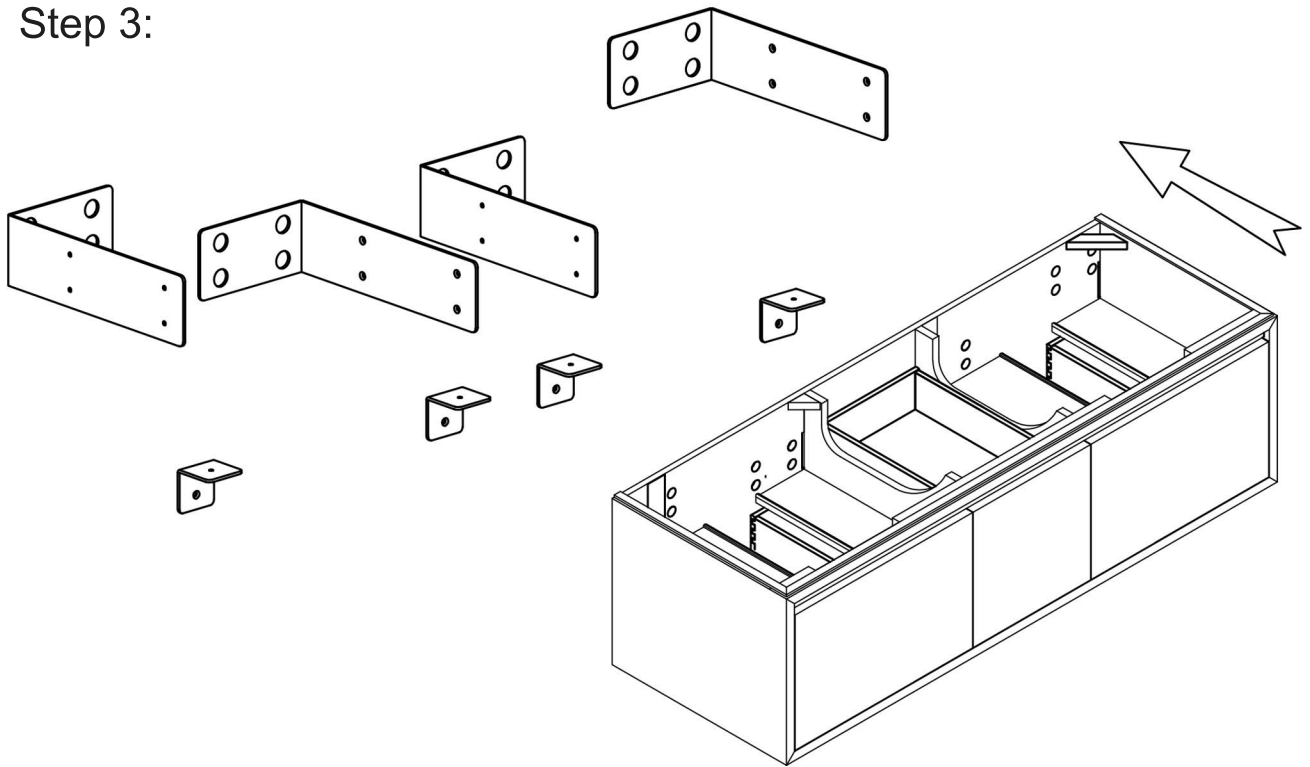
Mounting brackets must be attached to reinforcement panel



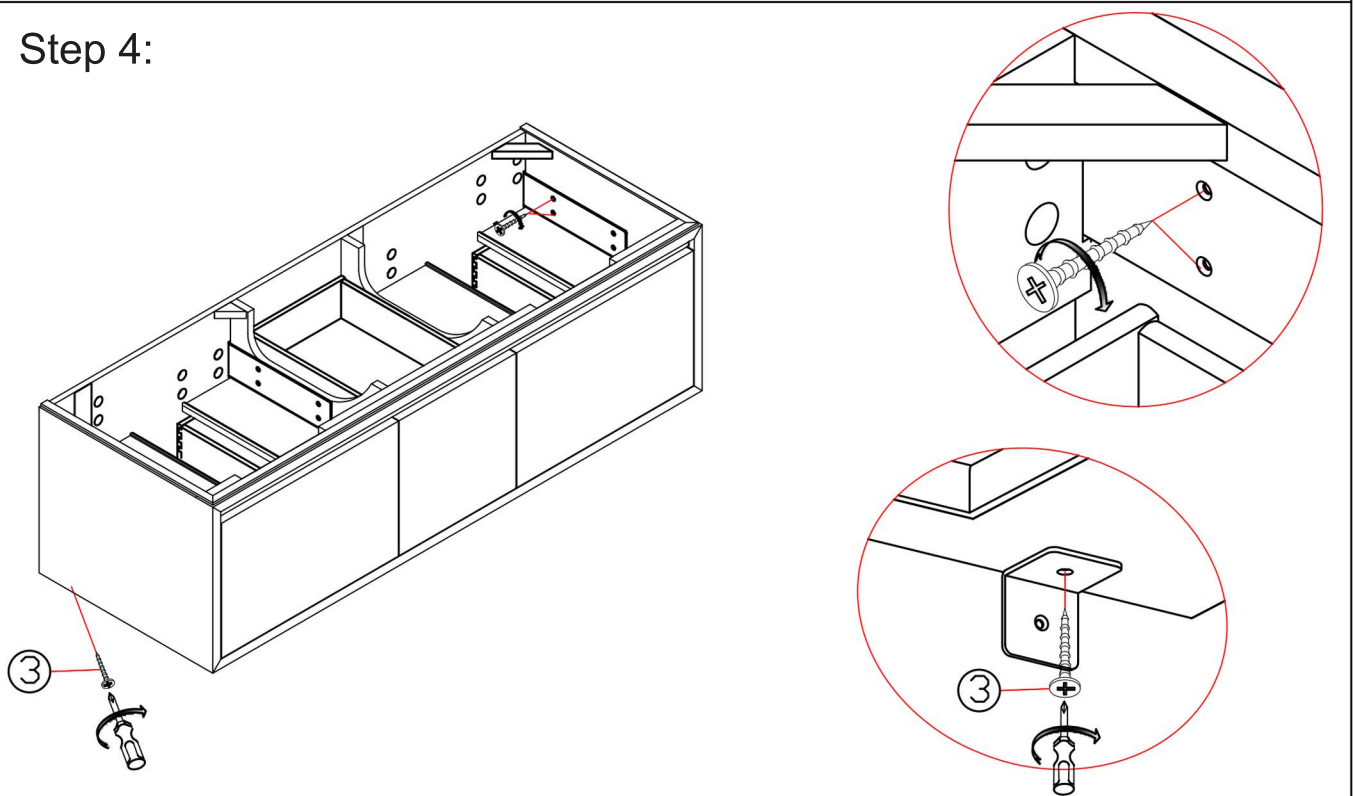
Fairmont Designs highly recommends that you seek a professional installation specialist if you are unsure of installation. Please Note: Fairmont Designs is not responsible for any installation error, damages, or injuries, actual or consequential, resulting from possible printing error in instructions.

1505-WV6021D

Step 3:



Step 4:



Fairmont Designs highly recommends that you seek a professional installation specialist if you are unsure of installation. Please Note: Fairmont Designs is not responsible for any installation error, damages, or injuries, actual or consequential, resulting from possible printing error in instructions.