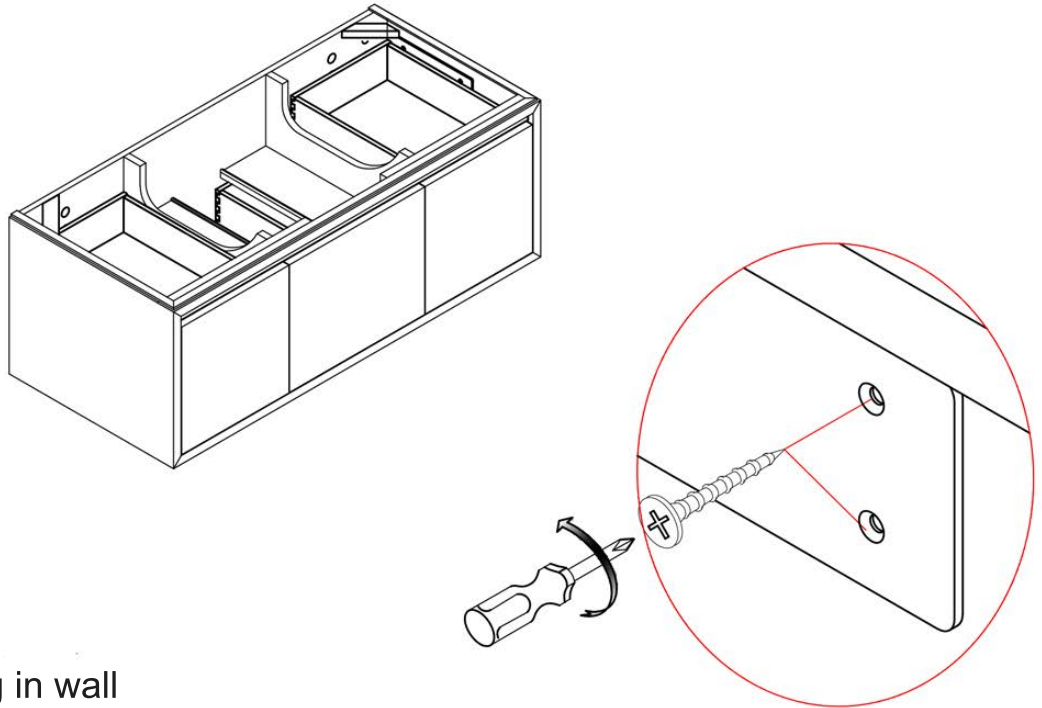


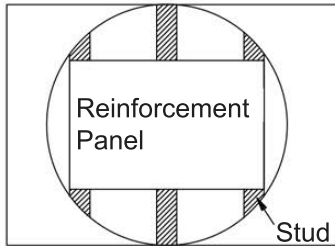
1505-WV48

Step 1

Detach mounting bracket from vanity





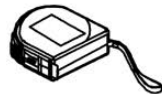




Cut opening in wall



Reinforcement Panel

* Large enough to cover 2 studs

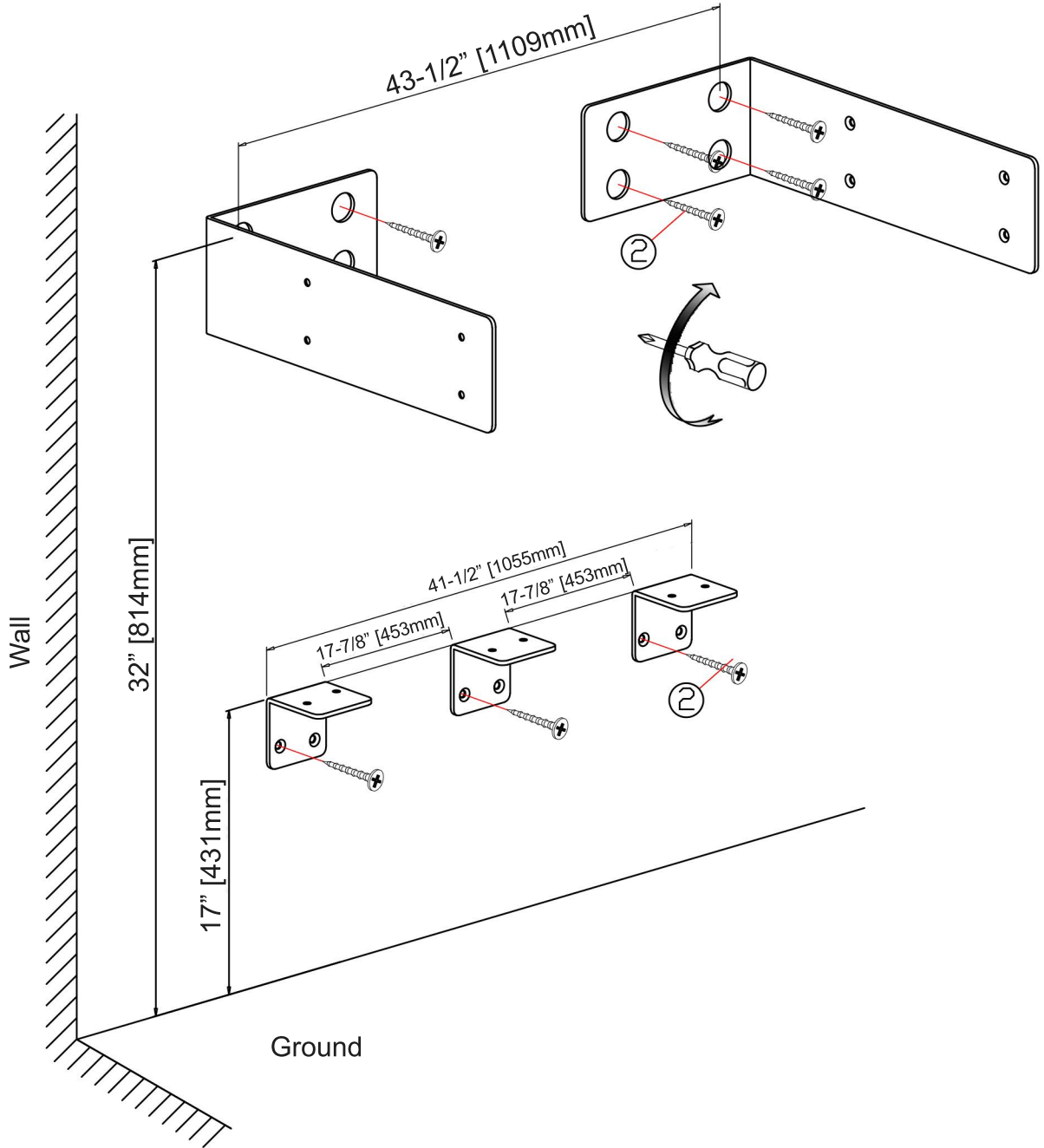
* Not provided by manufacturer

| PARTS INCLUDED | | | | TOOLS AND MATERIALS | | | |
|----------------|---|--------------|--------|--|-------------|--------------|--------|
| 1 |  | 50x50x50x3mm | 3 PCS |    | Screwdriver | Tape Measure | Pencil |
| 2 |  | ø8x38mm | 14 PCS | | | | |
| 3 |  | ø8x19mm | 6 PCS | | | | |
| 4 |  | ø10x28mm | 10 PCS | | | | |

1505-WV48

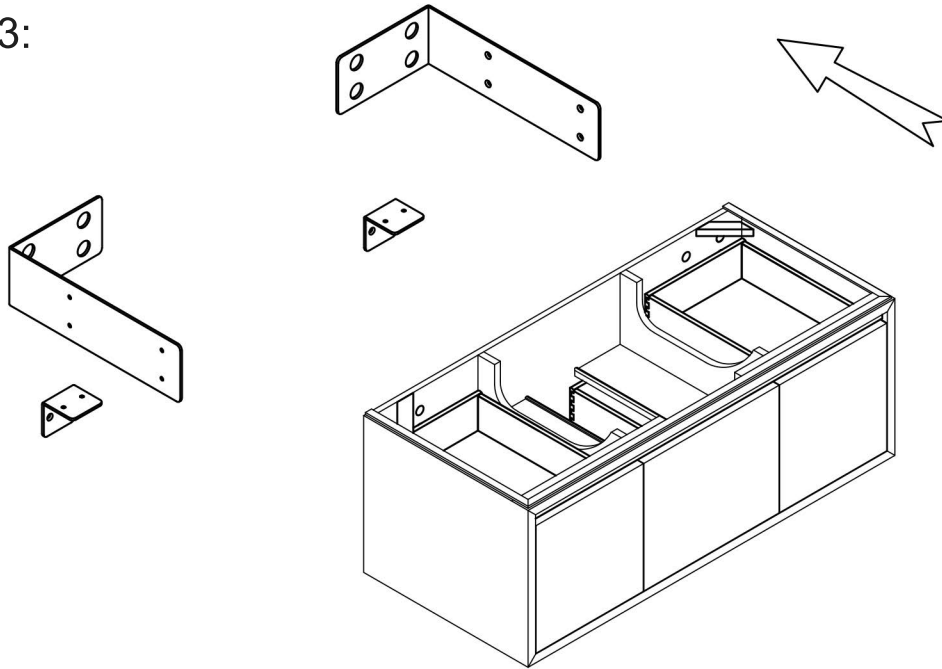
Step 2:

Mounting brackets must be attached to reinforcement panel

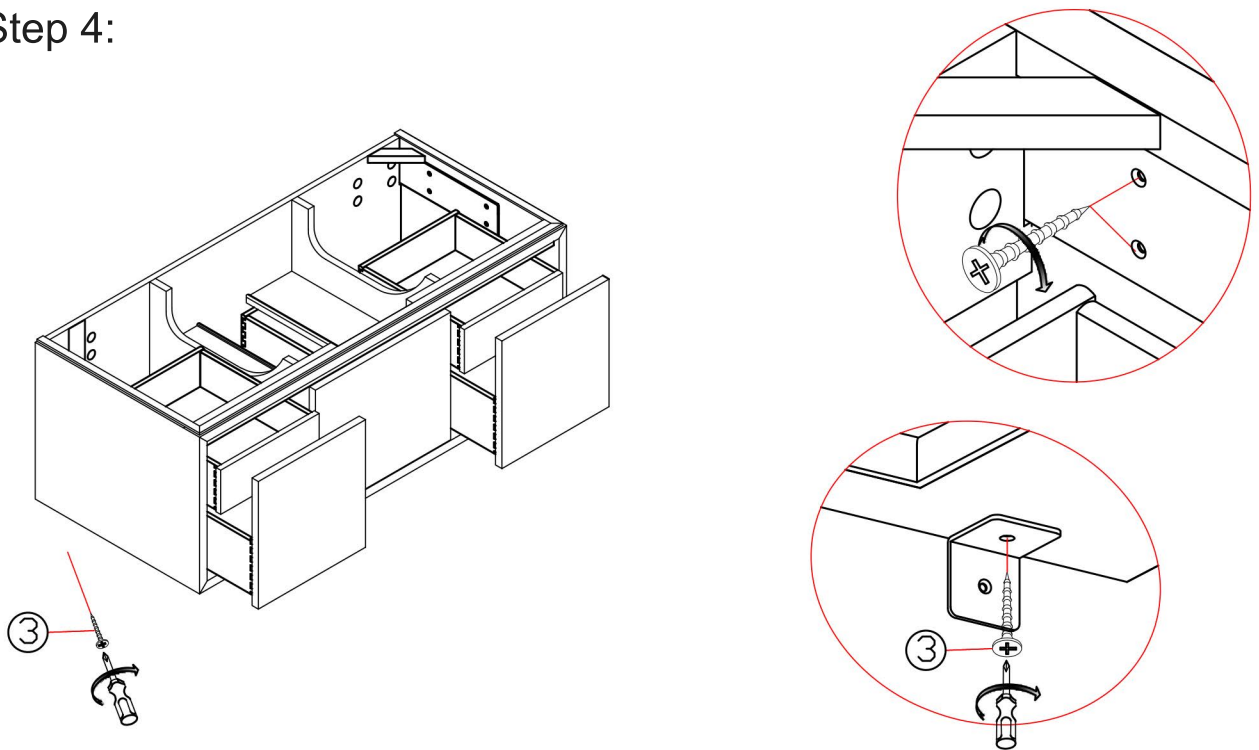


1505-WV48

Step 3:



Step 4:



Fairmont Designs highly recommends that you seek a professional installation specialist if you are unsure of installation. Please Note: Fairmont Designs is not responsible for any installation error, damages, or injuries, actual or consequential, resulting from possible printing error in instructions.