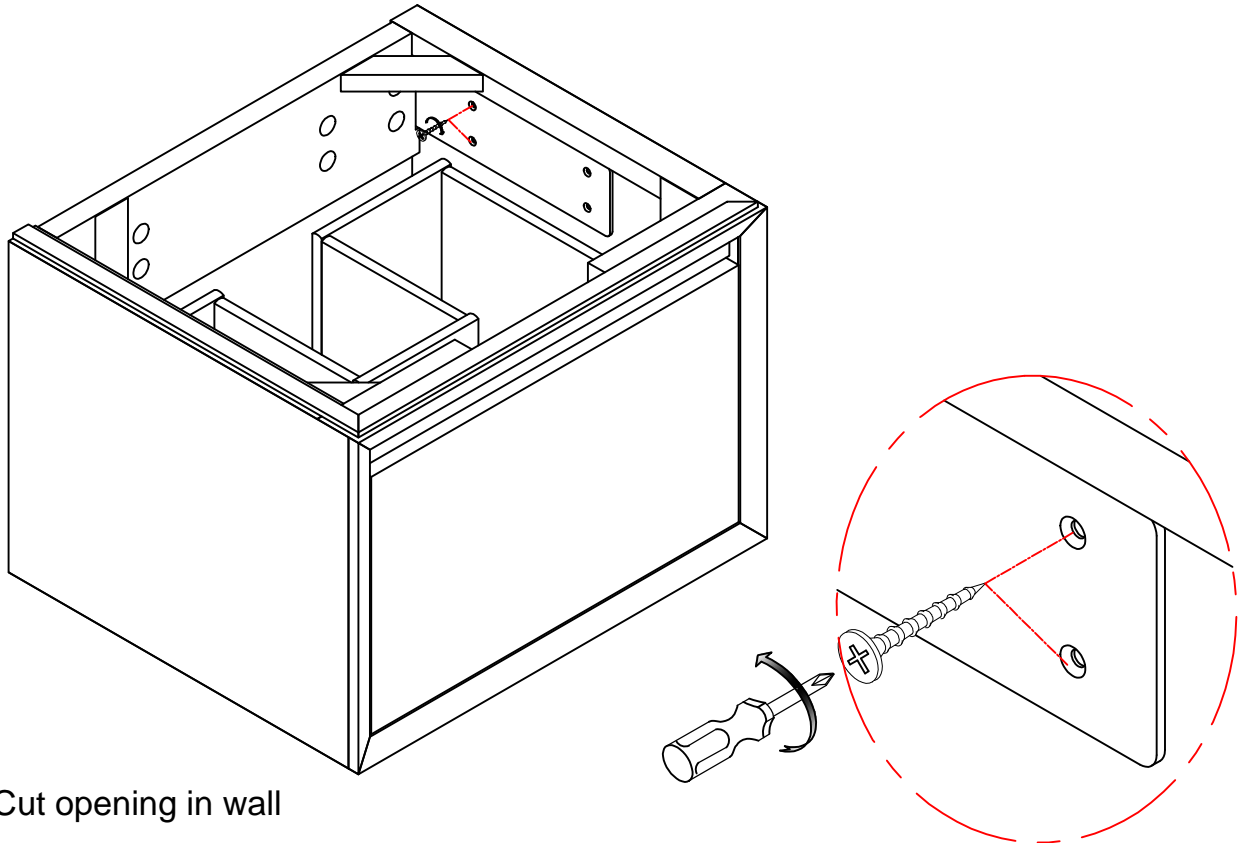
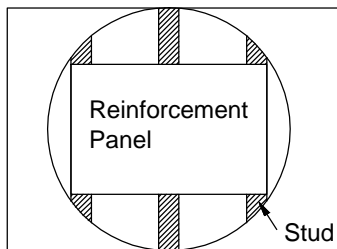


1505-WV2118







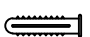
Step 1: Detach mounting brackets from vanity



Cut opening in wall



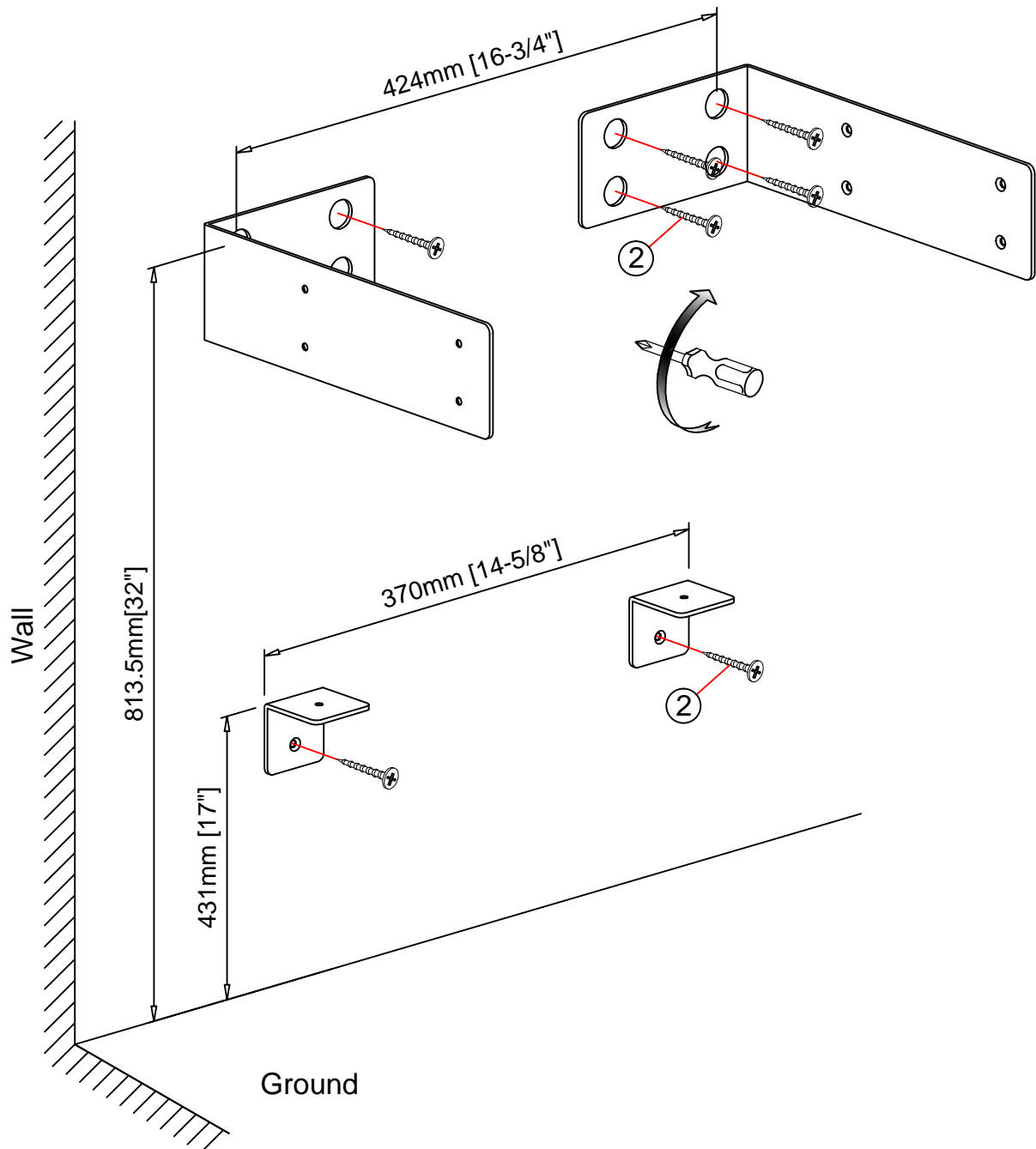
Reinforcement Panel
 * Large enough to cover 2 studs
 * Not provided by manufacturer

Parts Included				Tools And Materials		
1		50x50x50x3mm	2pcs	 Screwdriver  Tape measure  Pencil		
2		Ø8x38mm	10pcs			
3		Ø8x19mm	2pcs			
4		Ø10x28mm	10pcs			

Fairmont Designs highly recommends that you seek a professional installation specialist if you are unsure of installation. Please note: Fairmont Designs is not responsible for any installation error, damages, or injuries, actual or consequential, resulting from possible printing error in instructions.

1505-WV2118

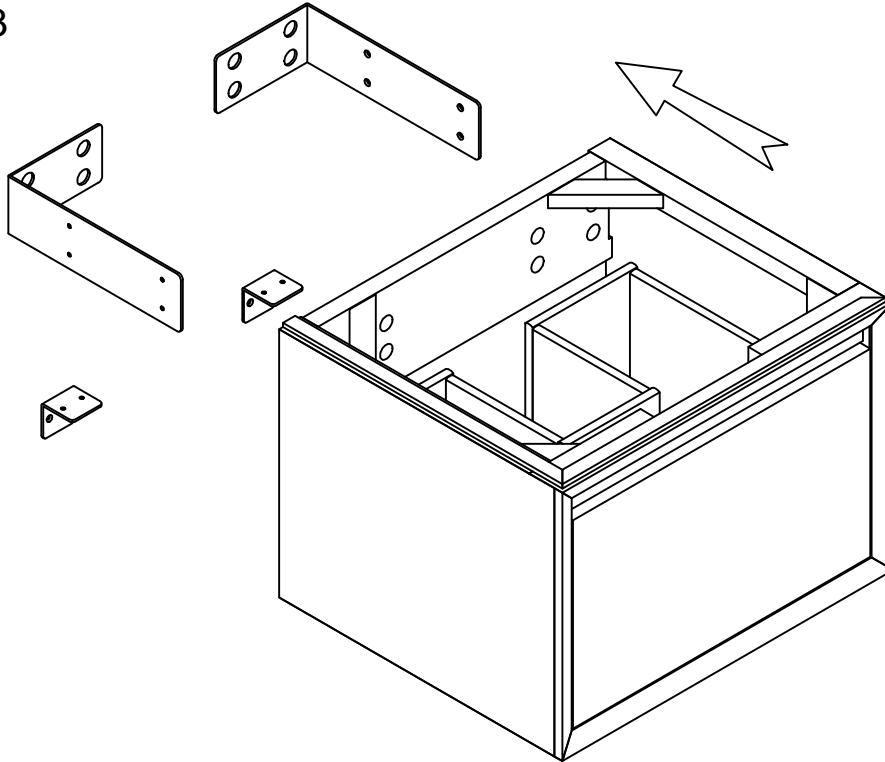
Step 2: Mounting brackets must be attached to reinforcement panel.



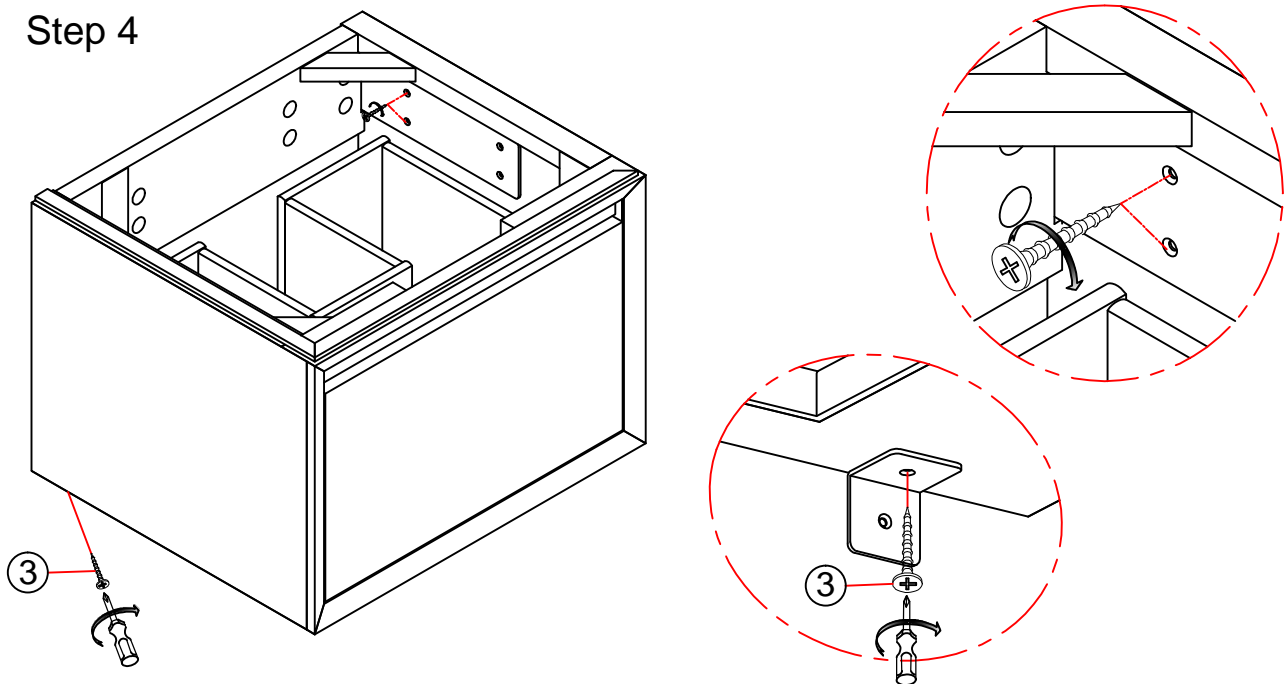
Fairmont Designs highly recommends that you seek a professional installation specialist if you are unsure of installation. Please note: Fairmont Designs is not responsible for any installation error, damages, or injuries, actual or consequential, resulting from possible printing error in instructions.

1505-WV2118

Step 3



Step 4



Fairmont Designs highly recommends that you seek a professional installation specialist if you are unsure of installation. Please note: Fairmont Designs is not responsible for any installation error, damages, or injuries, actual or consequential, resulting from possible printing error in instructions.