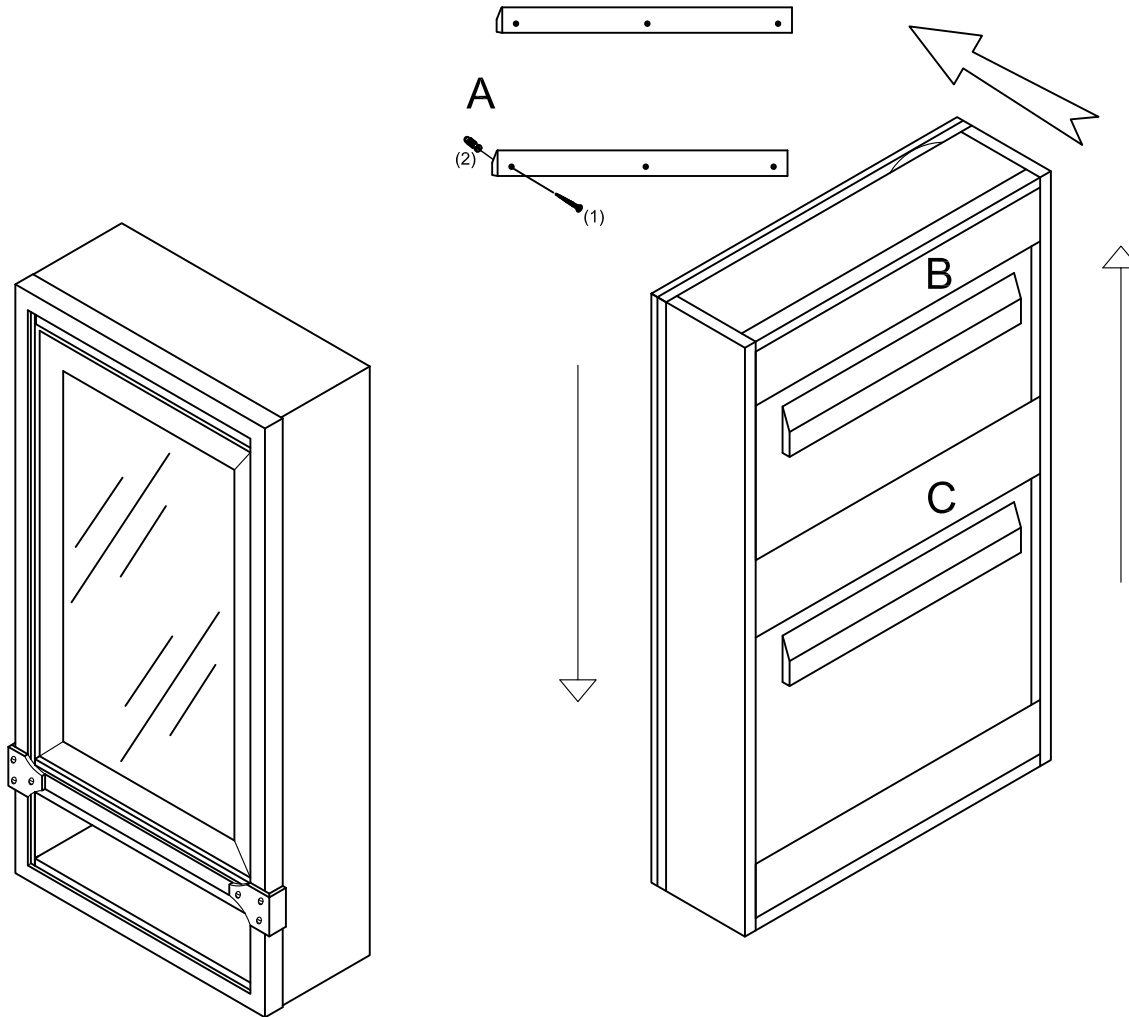


1401-MC20

Thank you for purchasing this quality product. Be sure to check all packing material carefully for small parts which may have come loose inside the carton during shipment, Identify and count all parts and compare with the parts list below.



Step 1. Attach the wood cleat (s) A to the wall.

Step 2. Hang the medicine cabinet (this one can be reversible) unit on the wood cleat (s) A on B&C or B only.

PARTS INCLUDED			TOOLS AND MATERIALS NEEDED		
(1)	 1-1/2"L	6PCS			
(2)	 $\phi 5/16$ "*1-1/2"L	6PCS			

Fairmont Designs highly recommends that you seek a professional installation specialist if you are unsure of installation.
Please note: Fairmont Designs is not responsible for any installation error, damages or injuries, actual or consequential, resulting from possible printing error in instruction