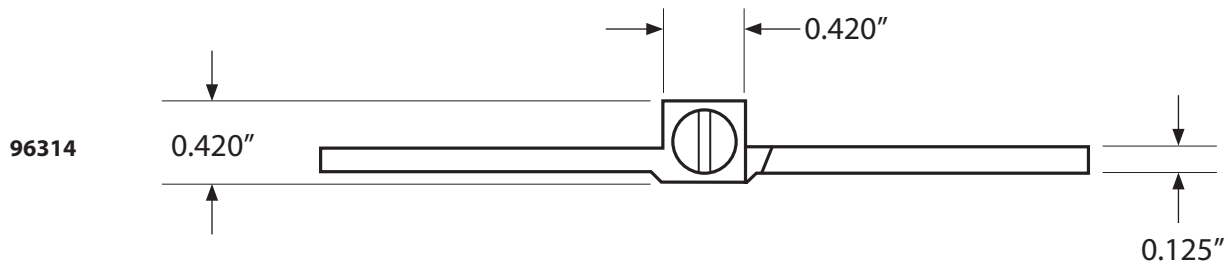
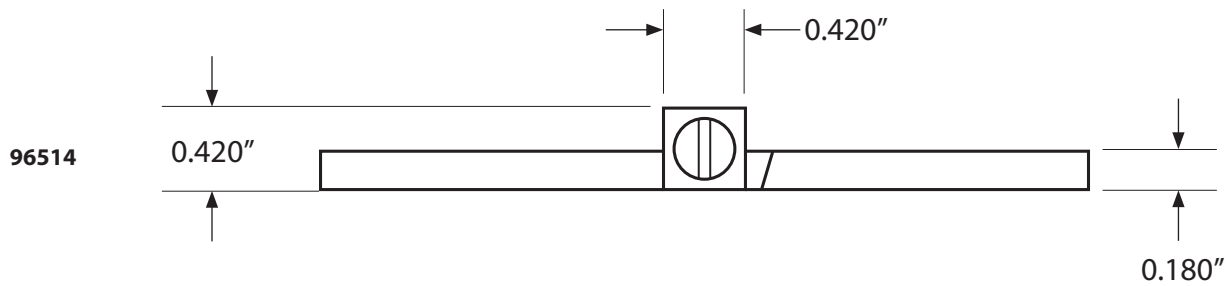
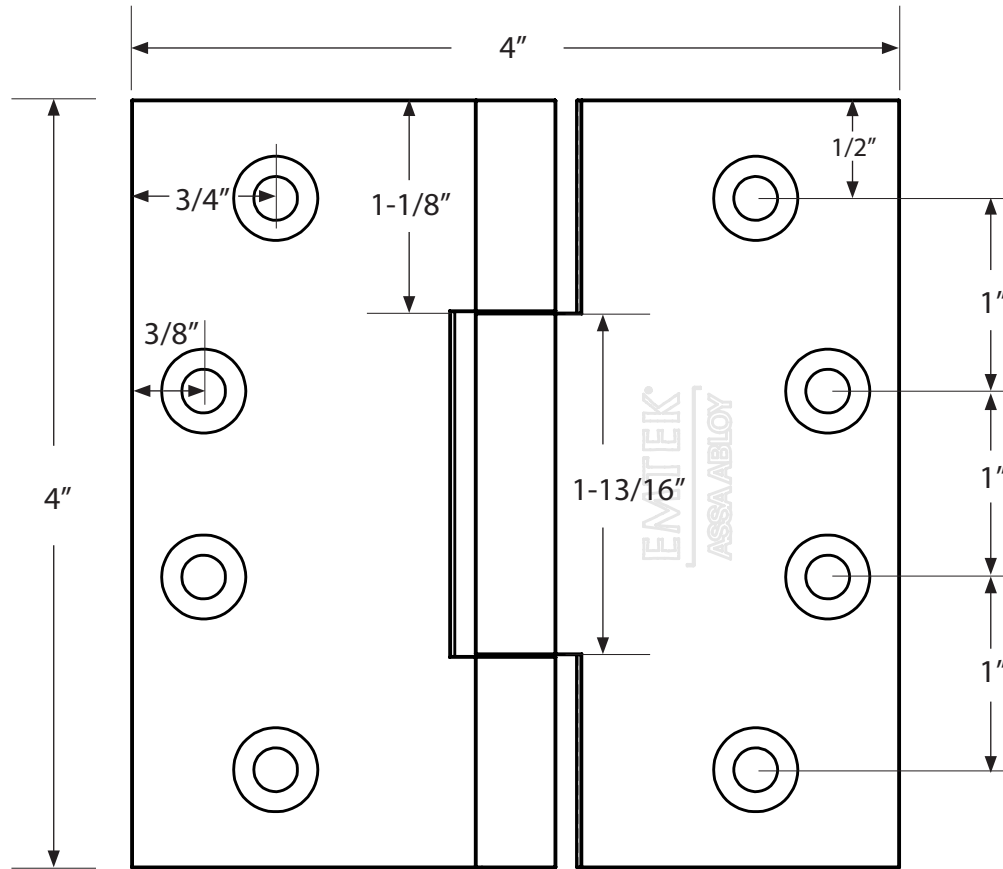


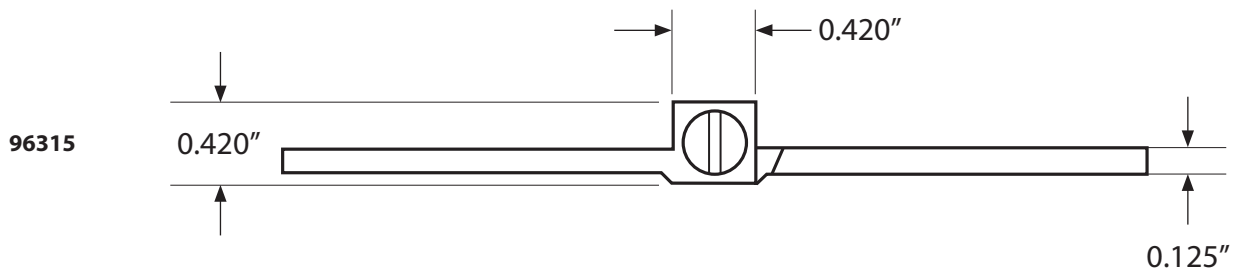
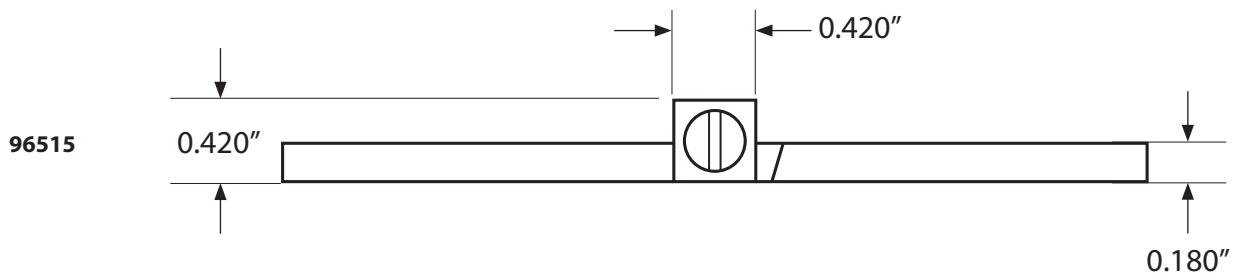
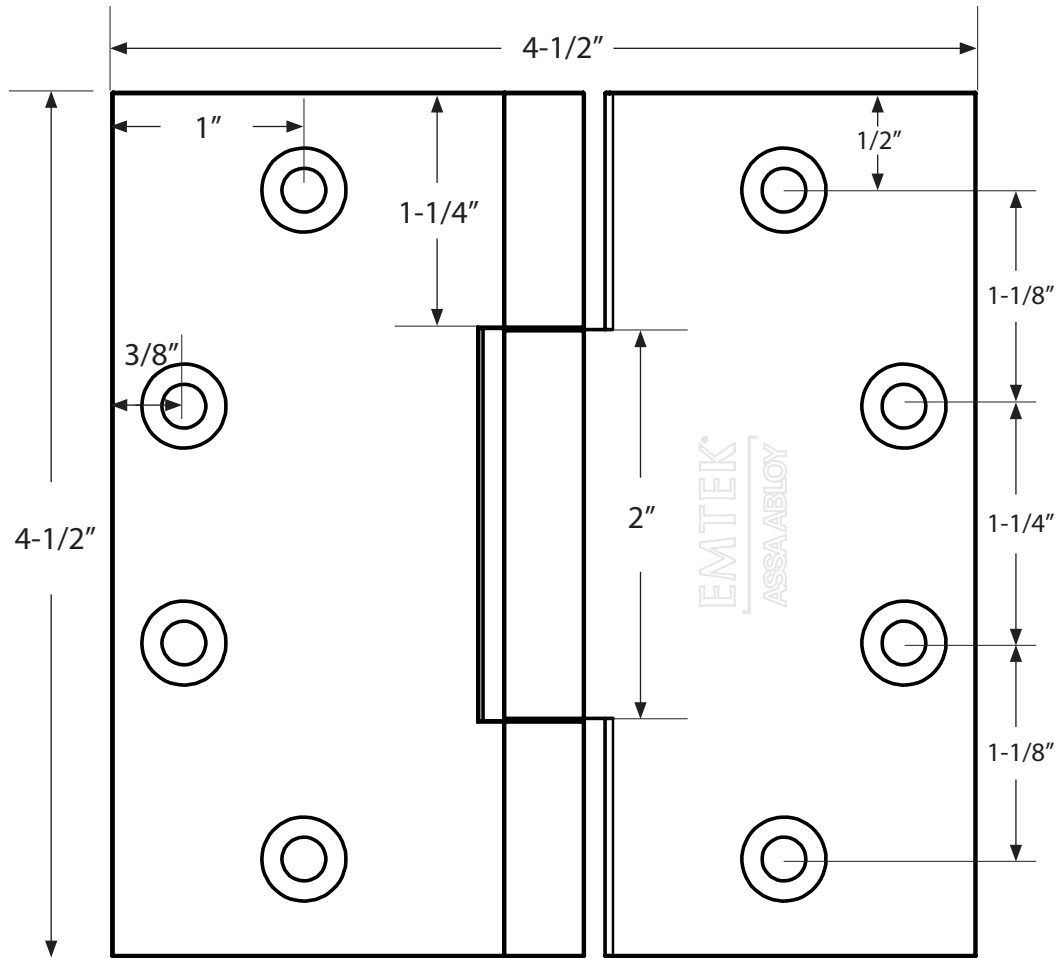
**Note: For general info only. Do NOT use as a drilling template.**

Use #9 Phillips Flat Head Screws



**Note: For general info only. Do NOT use as a drilling template.**

Use #12 Phillips Flat Head Screws



**Note: For general info only. Do NOT use as a drilling template.**

Use #12 Phillips Flat Head Screws