
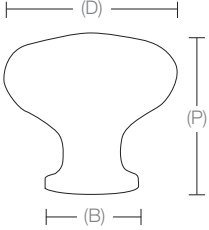

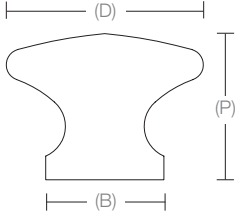



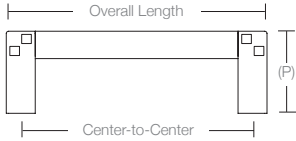
Round Dimpled Knob

		Product Code	Dimensions(D)	Projection(P)	Base Diameter(B)
		86037	1 1/4"	1 1/4"	3/4"
		86213	1 3/4"	1 1/2"	7/8"


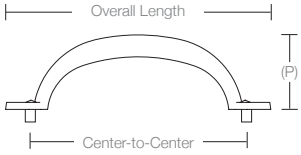
Square Dimpled Knob

		Product Code	Dimensions(D)	Projection(P)	Base Diameter(B)
		86038	1"	3/4"	5/8"
		86039	1 1/4"	1"	3/4"
		86212	1 3/4"	1 1/8"	7/8"


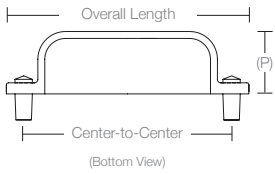
Mortise & Tenon Pull

		Product Code	Overall Length	Dimension C-to-C	Projection(P)
		86043	3 3/8"	3"	1 1/8"
		86044	3 7/8"	3 1/2"	1 1/8"
		86045	4 3/8"	4"	1 1/8"
		86276	6 3/8"	6"	1 1/8"


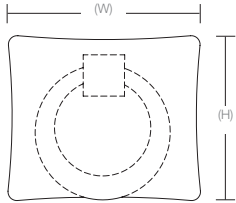
Hammered Pull

		Product Code	Overall Length	Dimension C-to-C	Projection(P)
		86046	3 7/8"	3"	1"
		86047	4 3/8"	3 1/2"	1"
		86048	4 7/8"	4"	1"


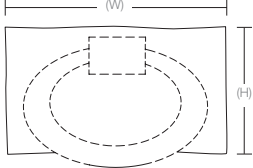
Hammered Bin Pull

		Product Code	Overall Length	Dimension C-to-C	Height	Projection(P)	Width(W)
		86049	3 1/2"	3"	1 1/2"	1"	1 3/8"


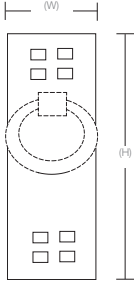
Hammered Ring Pull

		<table border="1"> <thead> <tr> <th>Product Code</th> <th>Dimension</th> </tr> </thead> <tbody> <tr> <td>86040</td> <td>1¾" W x 1½" H</td> </tr> </tbody> </table>	Product Code	Dimension	86040	1¾" W x 1½" H
Product Code	Dimension					
86040	1¾" W x 1½" H					

Hammered Oval Pull

		<table border="1"> <thead> <tr> <th>Product Code</th> <th>Dimension</th> </tr> </thead> <tbody> <tr> <td>86041</td> <td>3" W x 1¾" H</td> </tr> </tbody> </table>	Product Code	Dimension	86041	3" W x 1¾" H
Product Code	Dimension					
86041	3" W x 1¾" H					

Hammered Vertical Ring Pull

		<table border="1"> <thead> <tr> <th>Product Code</th> <th>C-to-C</th> <th>Dimension</th> </tr> </thead> <tbody> <tr> <td>86042</td> <td>1½"</td> <td>1¼" W x 3½" H</td> </tr> </tbody> </table>	Product Code	C-to-C	Dimension	86042	1½"	1¼" W x 3½" H
Product Code	C-to-C	Dimension						
86042	1½"	1¼" W x 3½" H						