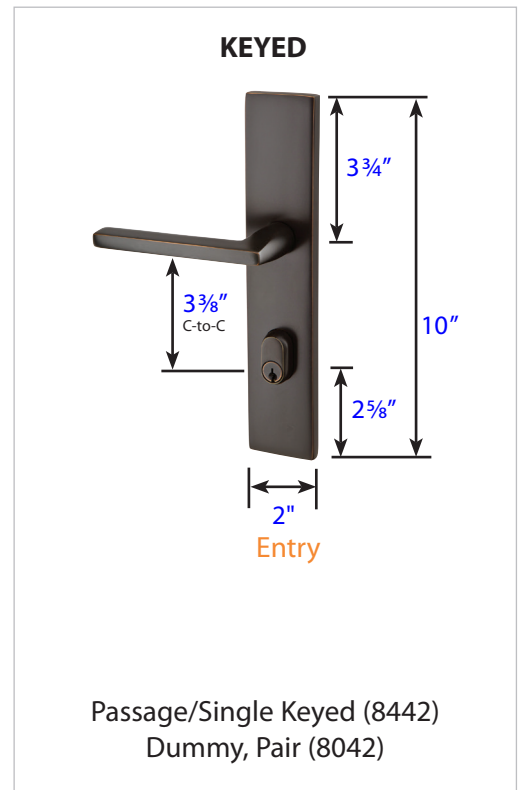
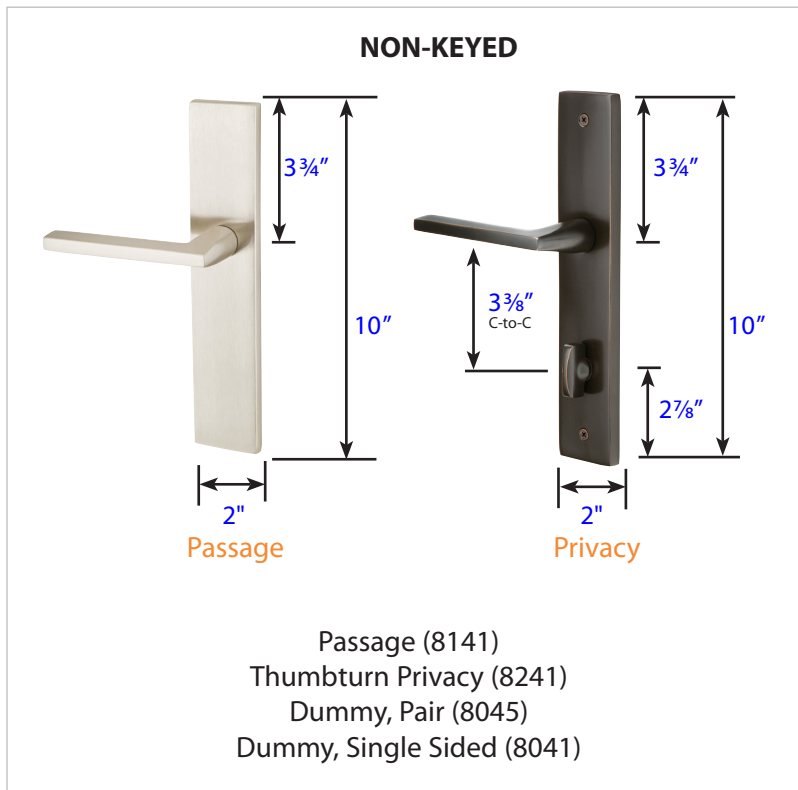
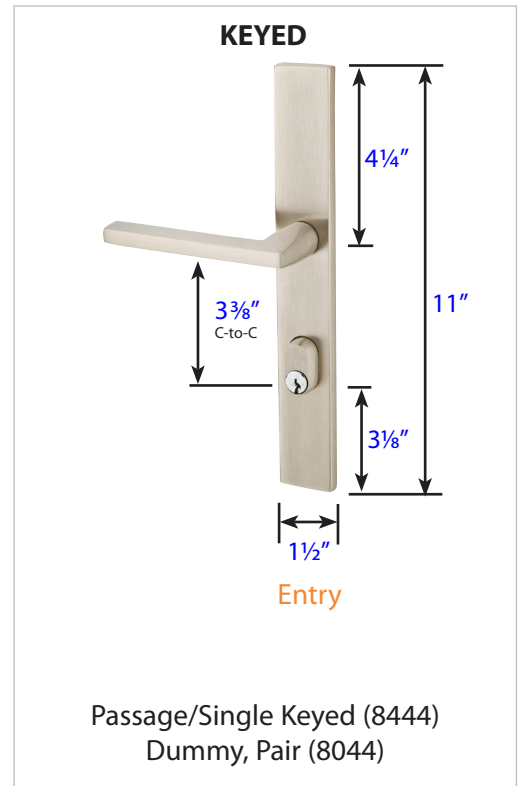
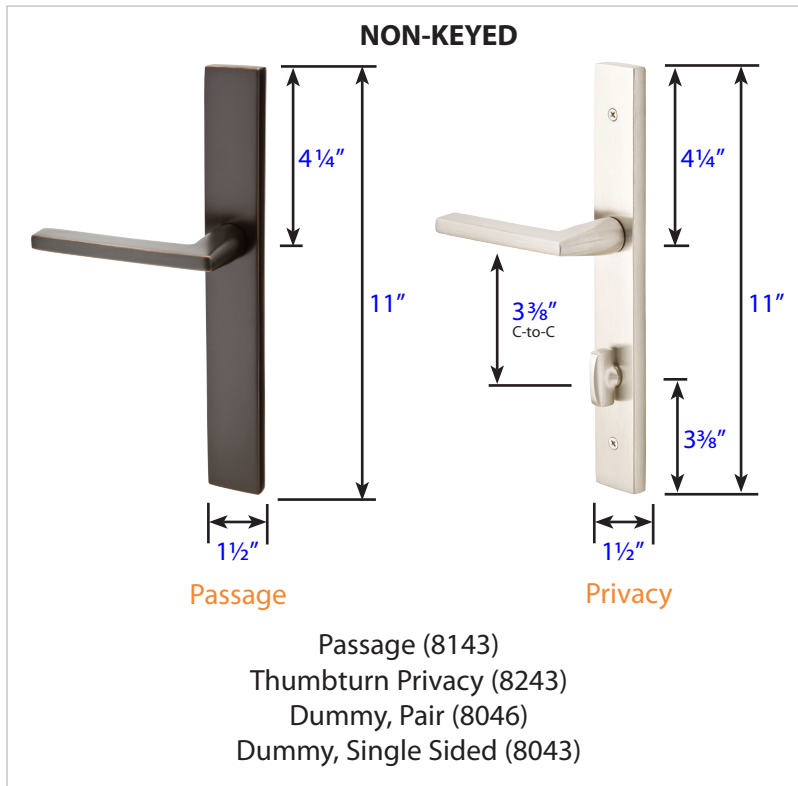


**Stretto Style** *Plates are 3/8" Thick*

10 in.



11 in.



## Brass Non-Keyed Plates (Passage)

<p>Standard Door Thickness: 1 ¼" - 1 ¾"</p> <p><b>Standard Components:</b></p> <ul style="list-style-type: none"> <li>• Inside Passage Half Spindle</li> <li>• ¾" Wood Screws</li> <li>• 1 ½" and/or 2" Mounting Screws</li> <li>• Full-Lip Strike Plate</li> </ul>	<p><b>Extended</b> Door Thickness: 1 ¾" - 2 ¼"</p> <p><b>Extended Components:</b></p> <ul style="list-style-type: none"> <li>• Long Inside Passage Half Spindle</li> <li>• ¾" Wood Screws</li> <li>• 2 ½" Mounting Screws</li> <li>• Extended Full-Lip Strike Plate</li> </ul>	<p><b>Extended</b> Door Thickness: 2 ¼" - 3"</p> <p><b>Extended Components:</b></p> <ul style="list-style-type: none"> <li>• Extra Long Inside Passage Half Spindle</li> <li>• ¾" Wood Screws</li> <li>• 3" Mounting Screws</li> <li>• Extended Full-Lip Strike Plate</li> </ul>
---	--	--

## Brass Plates (Entry/Privacy)

<p>Standard Door Thickness: 1 ¼" - 1 ¾"</p> <p><b>Standard Components:</b></p> <ul style="list-style-type: none"> <li>• Regular Tailpiece</li> <li>• Inside Passage Half Spindle</li> <li>• ¾" Wood Screws</li> <li>• 1 ½" and/or 2" Mounting Screws</li> <li>• Full-Lip Strike Plate</li> <li>• Deadbolt Strike Plate</li> </ul>	<p><b>Extended</b> Door Thickness: 1 ¾" - 2 ¼"</p> <p><b>Extended Components:</b></p> <ul style="list-style-type: none"> <li>• Long Single Cylinder Tailpiece</li> <li>• Long Inside Passage Half Spindle</li> <li>• ¾" Wood Screws</li> <li>• 2 ½" Mounting Screws</li> <li>• Extended Full-Lip Strike Plate</li> <li>• Deadbolt Strike Plate</li> </ul>	<p><b>Extended</b> Door Thickness: 2 ¼" - 3"</p> <p><b>Extended Components:</b></p> <ul style="list-style-type: none"> <li>• Extra Long Single Cylinder Tailpiece</li> <li>• Extra Long Inside Passage Half Spindle</li> <li>• ¾" Wood Screws</li> <li>• 3" Mounting Screws</li> <li>• Extended Full-Lip Strike Plate</li> <li>• Deadbolt Strike Plate</li> </ul>
---	---	---

## Brass Plates (Dummy)

<p>Standard Door Thickness: 1 ¼" - 1 ¾"</p> <p><b>Standard Components:</b></p> <ul style="list-style-type: none"> <li>• 1 ½" and/or 2" Mounting Screws</li> </ul>	<p><b>Extended</b> Door Thickness: 1 ¾" - 2 ¼"</p> <p><b>Extended Components:</b></p> <ul style="list-style-type: none"> <li>• 2 ½" Mounting Screws</li> </ul>	<p><b>Extended</b> Door Thickness: 2 ¼" - 3"</p> <p><b>Extended Components:</b></p> <ul style="list-style-type: none"> <li>• 3" Mounting Screws</li> </ul>
---	--	--

**Stretto Style** *Plates are 3/8" Thick*

10 in.

**NON-KEYED**

**Passage**
**Privacy**

Passage (4141)  
 Thumbturn Privacy (4241)  
 Dummy, Pair (4045)  
 Dummy, Single Sided (4041)

**KEYED**

**Entry**

Passage/Single Keyed (4442)  
 Dummy, Pair (4042)

11 in.

**NON-KEYED**

**Passage**
**Privacy**

Passage (4143)  
 Thumbturn Privacy (4243)  
 Dummy, Pair (4046)  
 Dummy, Single Sided (4043)

**KEYED**

**Entry**

Passage/Single Keyed (4444)  
 Dummy, Pair (4044)

## Bronze Non-Keyed Plates (Passage)

<p>Standard Door Thickness: 1 ¼" - 1 ¾"</p> <p><b>Standard Components:</b></p> <ul style="list-style-type: none"> <li>• Inside Passage Half Spindle</li> <li>• ¾" Wood Screws</li> <li>• 1 ½" and/or 2" Mounting Screws</li> <li>• Full-Lip Strike Plate</li> </ul>	<p><b>Extended</b> Door Thickness: 1 ¾" - 2 ¼"</p> <p><b>Extended Components:</b></p> <ul style="list-style-type: none"> <li>• Long Inside Passage Half Spindle</li> <li>• ¾" Wood Screws</li> <li>• 2 ½" Mounting Screws</li> <li>• Extended Full-Lip Strike Plate</li> </ul>	<p><b>Extended</b> Door Thickness: 2 ¼" - 3"</p> <p><b>Extended Components:</b></p> <ul style="list-style-type: none"> <li>• Extra Long Inside Passage Half Spindle</li> <li>• ¾" Wood Screws</li> <li>• 3" Mounting Screws</li> <li>• Extended Full-Lip Strike Plate</li> </ul>
---	--	--

## Bronze Plates (Entry/Privacy)

<p>Standard Door Thickness: 1 ¼" - 1 ¾"</p> <p><b>Standard Components:</b></p> <ul style="list-style-type: none"> <li>• Regular Tailpiece</li> <li>• Inside Passage Half Spindle</li> <li>• ¾" Wood Screws</li> <li>• 1 ½" and/or 2" Mounting Screws</li> <li>• Full-Lip Strike Plate</li> <li>• Deadbolt Strike Plate</li> </ul>	<p><b>Extended</b> Door Thickness: 1 ¾" - 2 ¼"</p> <p><b>Extended Components:</b></p> <ul style="list-style-type: none"> <li>• Long Single Cylinder Tailpiece</li> <li>• Long Inside Passage Half Spindle</li> <li>• ¾" Wood Screws</li> <li>• 2 ½" Mounting Screws</li> <li>• Extended Full-Lip Strike Plate</li> <li>• Deadbolt Strike Plate</li> </ul>	<p><b>Extended</b> Door Thickness: 2 ¼" - 3"</p> <p><b>Extended Components:</b></p> <ul style="list-style-type: none"> <li>• Extra Long Single Cylinder Tailpiece</li> <li>• Extra Long Inside Passage Half Spindle</li> <li>• ¾" Wood Screws</li> <li>• 3" Mounting Screws</li> <li>• Extended Full-Lip Strike Plate</li> <li>• Deadbolt Strike Plate</li> </ul>
---	---	---

## Bronze Plates (Dummy)

<p>Standard Door Thickness: 1 ¼" - 1 ¾"</p> <p><b>Standard Components:</b></p> <ul style="list-style-type: none"> <li>• 1 ½" and/or 2" Mounting Screws</li> </ul>	<p><b>Extended</b> Door Thickness: 1 ¾" - 2 ¼"</p> <p><b>Extended Components:</b></p> <ul style="list-style-type: none"> <li>• 2 ½" Mounting Screws</li> </ul>	<p><b>Extended</b> Door Thickness: 2 ¼" - 3"</p> <p><b>Extended Components:</b></p> <ul style="list-style-type: none"> <li>• 3" Mounting Screws</li> </ul>
---	--	--