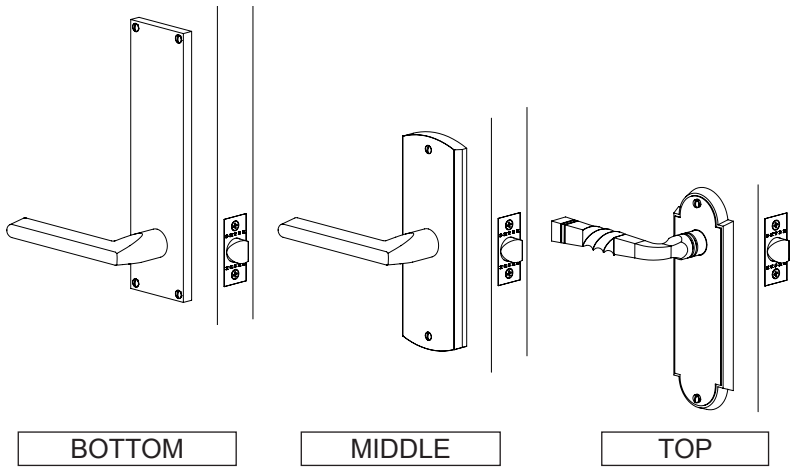
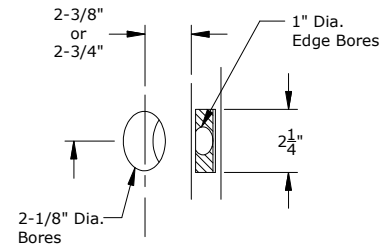


**IMPORTANT!:** Lever location on the sideplate (Top, middle, bottom) varies depending on style. Determine proper orientation BEFORE drilling holes.

1. Determine lever location & plate orientation

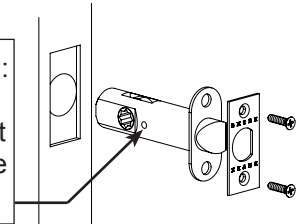


2. Door Prep



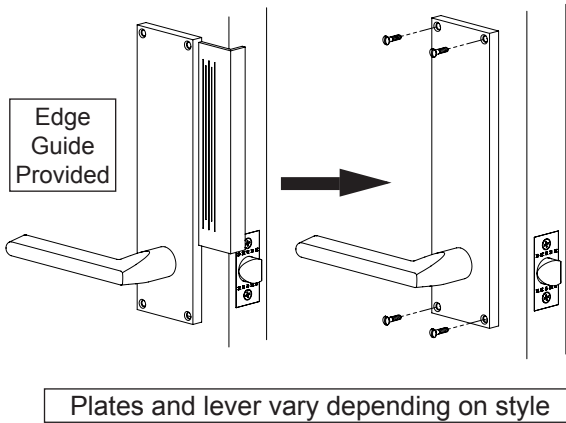
3. Install latch

For Privacy function:  
Threaded hole for the privacy pin must face the interior side of the door.

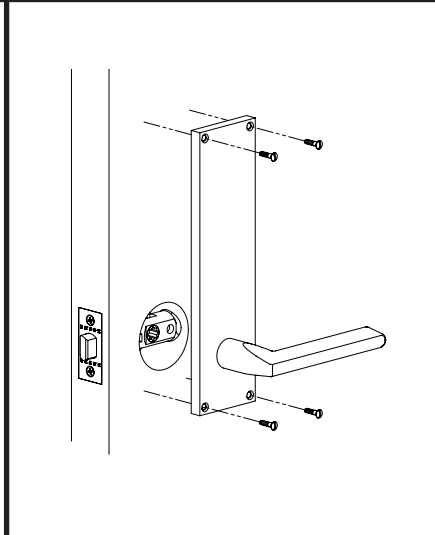


4. Mount Inside Trim Plate

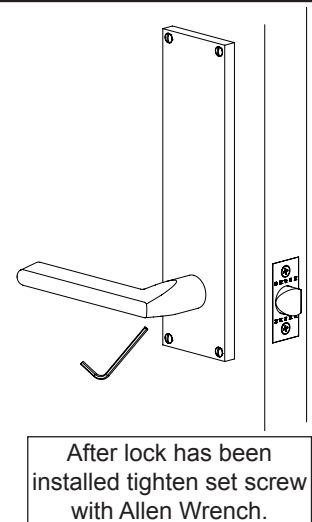
Prior to drilling holes, align side plate using Edge Guide (provided).



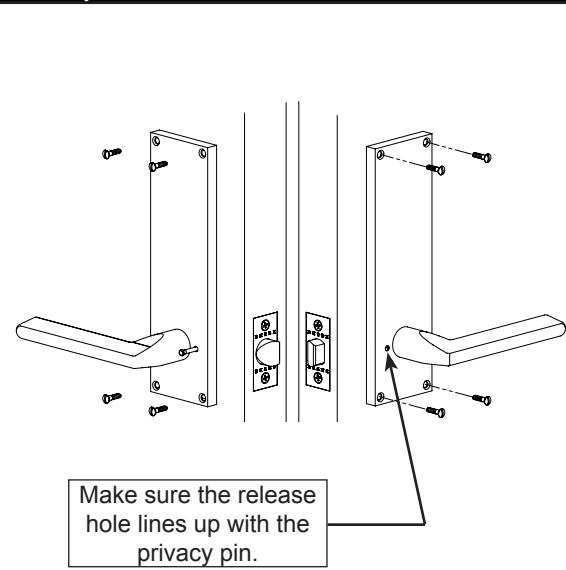
5. Mount Outside Trim Plate



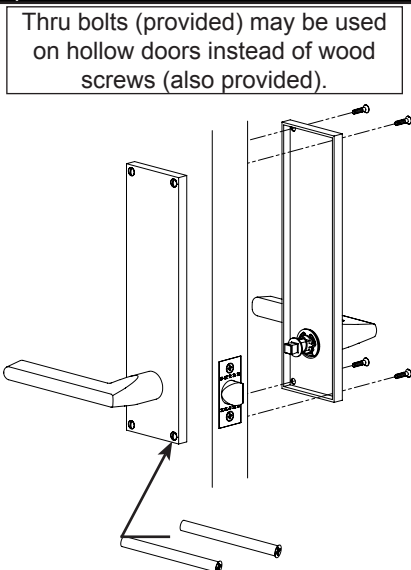
6. Tighten Lever



Privacy Function



Optional Thru Bolts



Dummy plate

