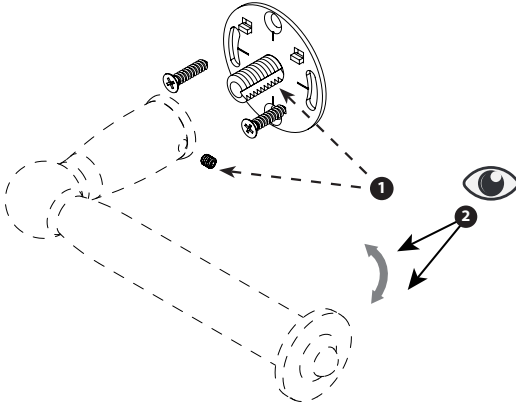
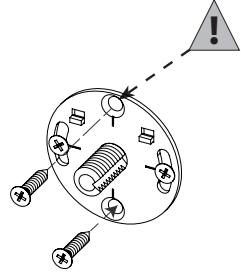


Installation Guide for Paper Holder - Bar Style

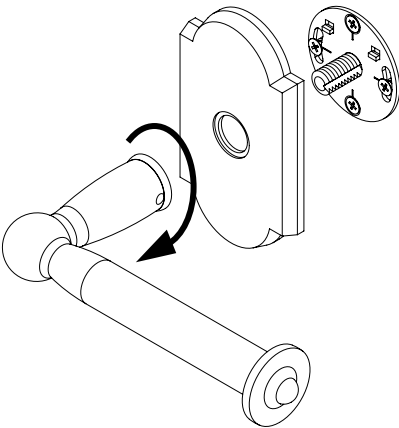
1 Install mounting plate & adjust for level



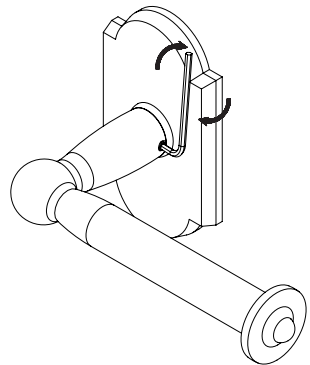
2 Rotate as needed before installing the second set of screws



3 Install trim plate



4 Tighten set screw



WARNING: This product can expose you to chemicals including lead, which is known to the state of California to cause cancer and birth defects or other reproductive harm. For more information go to www.P65Warnings.ca.gov.