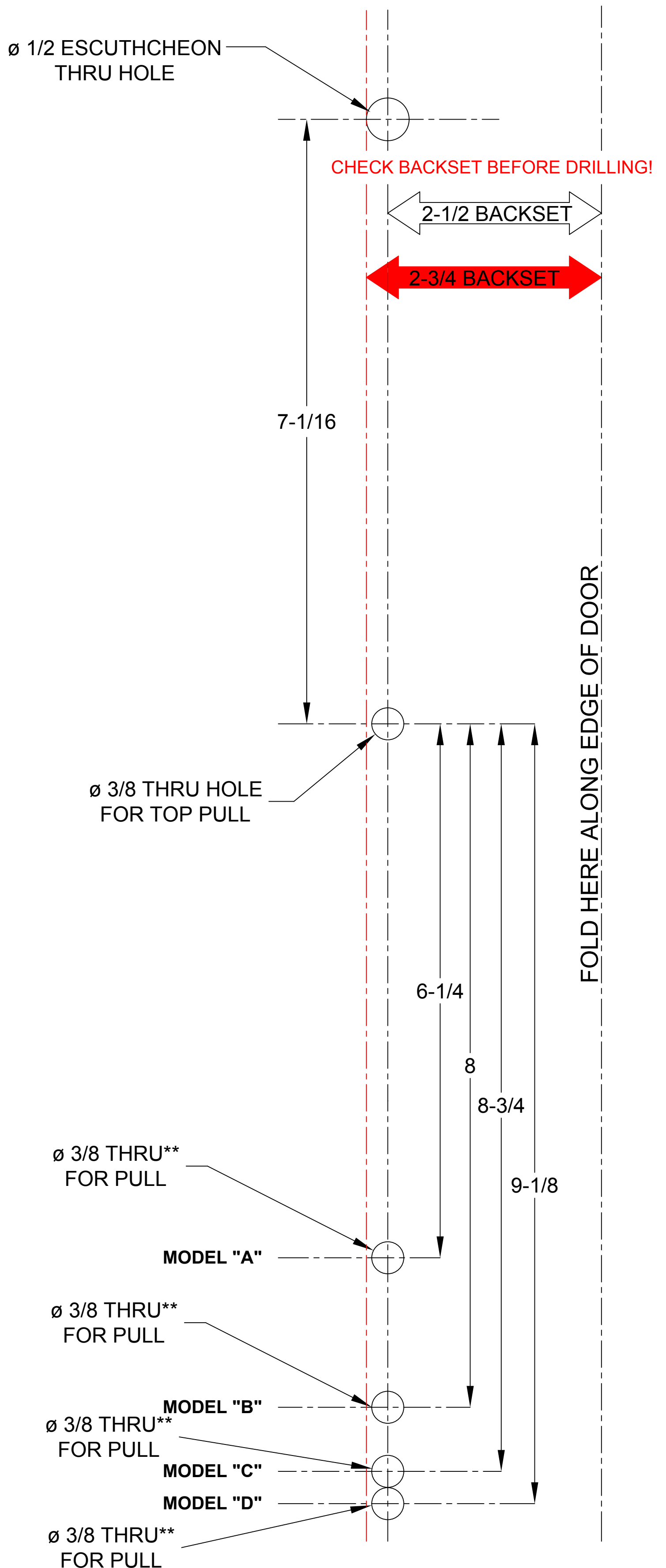


**DUMMY MORTISE LOCK
HOLE PREPARATION FOR
TUBULAR ESCUTCHEON SETS
(LEFT HAND) ***



* NOTE: 8-1/2 X 11 COPY OF THIS TEMPLATE NOT TO SCALE. ALL DIMENSIONS ARE IN INCHES.

** IMPORTANT: ONLY DRILL ONE 3/8 HOLE FOR A SPECIFIC MODEL OF LOCK. SEE MODEL DESCRIPTION FOR APPLICATION.