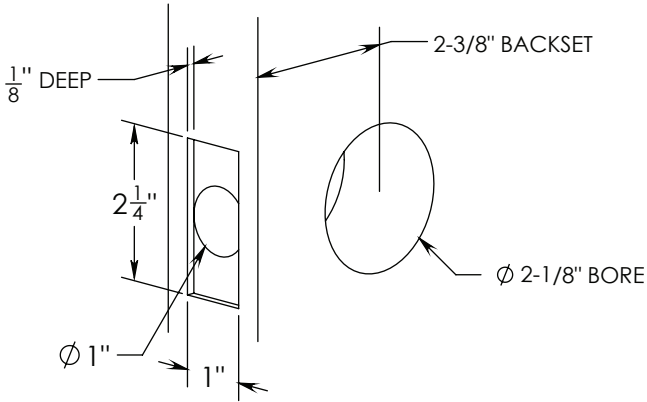
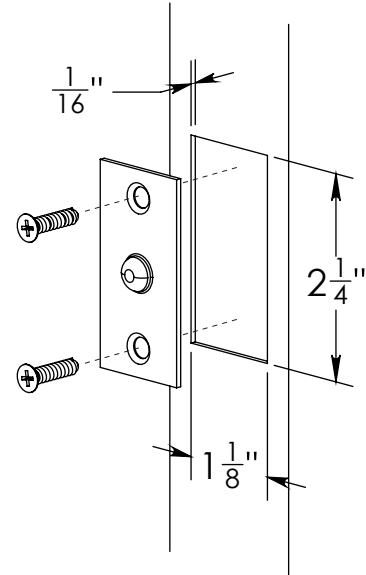


**Installation Instructions - Tubular Pocket Door Lock, Passage Function**

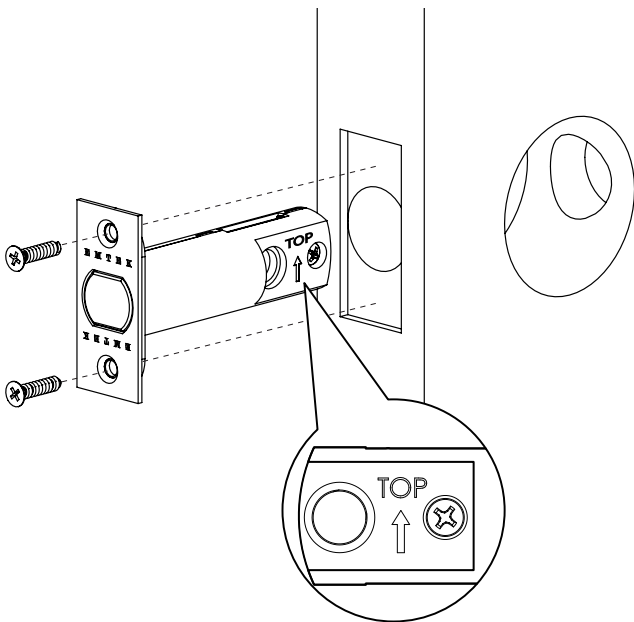
**1** Door Prep



**2** Jamb Prep



**3** Install Latch



**4** Install Interior and Exterior Trims

