



Easy Drain®
by ess

Nano Wall

With the unique and stylish Easy Drain Nano Wall you have chosen the thinnest linear shower drain available. Xs Nano Wall is equipped with the patented TAF-system and Water Protection System. This means 100% watertight and a perfect finish. The included water seal is easy to clean and offers a very high drainage capacity 8.72 US gal (33 l/min).

ADVANTAGES

- Available lengths - 27 5/8" - 47 1/4"
- Water Protection System - 10-year total warranty
- Certified - c-UPC
- Shower drain - Easy to clean
- Supplied as - Complete set



Sales Office USA

ESS North America
228 East 45th Street, Suite 9E New York | NY 10017
T. + 1 888 317 7927 | F. + 1 888 488 1617
sales-usa@esspost.com | www.easydrainusa.com

Manufacturer

Easy Sanitary Solutions
Warschauerstraße 1 | 48455 Bad Bentheim | Germany
T. +49 (0) 59 24 29 91 568 | F. +49 (0) 59 24 29 91 537
info@esspost.com | www.easydrain.de

Page 1 / 3

GENERAL

Series	Nano USA
Name	Nano Wall
Model	Linear shower drain
Rough dimensions (inch)	27 5/8, 31 1/2, 35 1/2, 39 3/8, 47 1/4
Product type	Complete
Application	New construction, Renovation
Certification	cUPC

INSTALLATION

Substrate	Concrete / Sand Cement, Lewis sheets, Wooden floors
Floor finish	Tiles / Mosaic, Natural stone, Glass Mosaic, Thin tiles
Height adjustable feet	Included
Installation option	Wall
Outlet	Vertical
Connection (inch)	2

DESIGN

Trim finish	Brushed stainless steel
Trim pattern	N.A.
Trim width (inch)	N.A.
Tile insert trim (inch)	N.A.
Adjustable trim	No
Frame type	TAF (Tile Adjustable Frame)
TAF Frame material	Stainless steel (304)
Design frame finish	N.A.
Frame width (inch)	2 1/4
Wheelchair accessible	Yes
Extension set available	N.A.



Sales Office USA

ESS North America
 228 East 45th Street, Suite 9E New York | NY 10017
 T. + 1 888 317 7927 | F. + 1 888 488 1617
sales-usa@esspost.com | www.easydrainusa.com

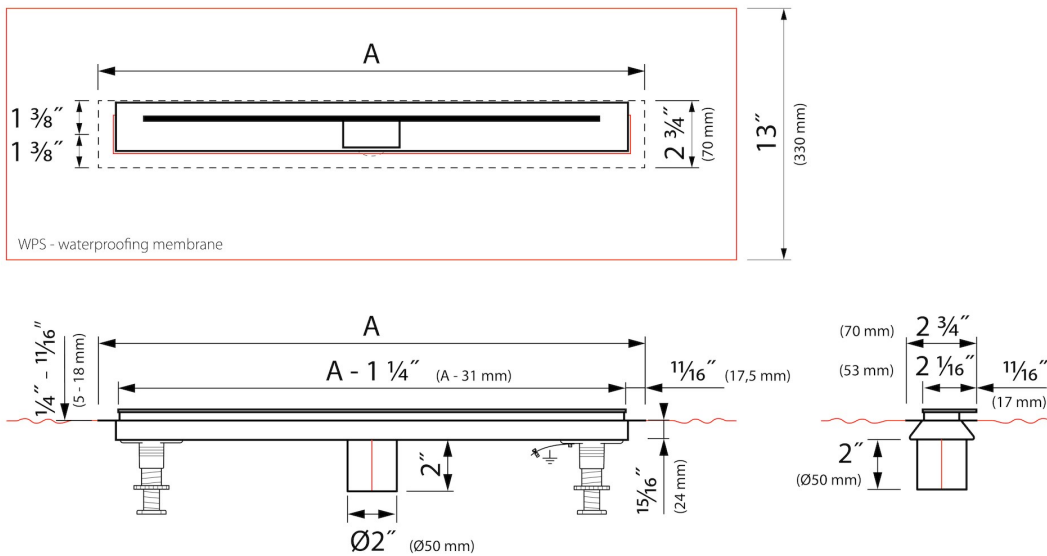
Manufacturer

Easy Sanitary Solutions
 Warschauerstraße 1 | 48455 Bad Bentheim | Germany
 T. +49 (0) 59 24 29 91 568 | F. +49 (0) 59 24 29 91 537
info@esspost.com | www.easydrain.de

ARTICLE CODE

27 5/8	XS4-Nano-Line-W-700		
31 1/2	XS4-Nano-Line-W-800		
35 1/2	XS4-Nano-Line-W-900		
39 3/8	XS4-Nano-Line-W-1000		
47 1/4	XS4-Nano-Line-W-1200		

TECHNICAL DRAWINGS



Sales Office USA

ESS North America
 228 East 45th Street, Suite 9E New York | NY 10017
 T. + 1 888 317 7927 | F. + 1 888 488 1617
 sales-usa@esspost.com | www.easydrainusa.com

Manufacturer

Easy Sanitary Solutions
 Warschauerstraße 1 | 48455 Bad Bentheim | Germany
 T. +49 (0) 59 24 29 91 568 | F. +49 (0) 59 24 29 91 537
 info@esspost.com | www.easydrain.de