



**Easy Drain<sup>®</sup>**  
by ess

## R-line4 | Polished stainless steel trim

Easy Drain R-line is not only functional but also beautifully designed. This shower drain with subtle slope comes in two models; for wall and floor application. The R-line is available with polished or brushed stainless steel finish and integrates seamlessly into any bathroom floor.

### ADVANTAGES

- Available lengths - 27 5/8" - 47 1/4"
- Water Protection System - 10-year total warranty
- Tile Adjustable Frame - Height adjustable 1/4" - 3/4"
- Certified - c-UPC
- Shower drain - Easy to clean
- Suitable for - New construction and renovation
- Custom Length - Can be shortened on site
- Rough material - stainless steel



#### Sales Office USA

ESS North America  
228 East 45th Street, Suite 9E New York | NY 10017  
T. + 1 888 317 7927 | F. + 1 888 488 1617  
sales-usa@esspost.com | www.easydrainusa.com

#### Manufacturer

Easy Sanitary Solutions  
Warschauerstraße 1 | 48455 Bad Bentheim | Germany  
T. +49 (0) 59 24 29 91 568 | F. +49 (0) 59 24 29 91 537  
info@esspost.com | www.easydrain.de

Page 1 / 3

## GENERAL

|                         |  |
|-------------------------|--|
| Series                  | R-line USA                                     |
| Name                    | R-line4   Polished stainless steel trim        |
| Model                   | Linear shower drain                            |
| Rough dimensions (inch) | 27 5/8, 31 1/2, 35 1/2, 39 3/8, 47 1/4, 59 1/8 |
| Product type            | Complete                                       |
| Application             | Renovation, New construction                   |
| Certification           | cUPC   |

## INSTALLATION

|                        |  |
|------------------------|--|
| Substrate              | Concrete / Sand Cement, Lewis sheets, Synthetic, Wooden floors |
| Floor finish           | Thin tiles, Tiles / Mosaic, Cast / screed, Glass Mosaic        |
| Height adjustable feet | N.A.   |
| Installation option    | Floor  |
| Outlet                 | Vertical   |
| Connection (inch)      | 2  |

## DESIGN

|                         |                             |
|-------------------------|-----------------------------|
| Trim finish             | Polished stainless steel    |
| Trim pattern            | Slot                        |
| Trim width (inch)       | 2                           |
| Tile insert trim (inch) | N.A.                        |
| Adjustable trim         | No                          |
| Frame type              | TAF (Tile Adjustable Frame) |
| TAF Frame material      | Stainless steel (304)       |
| Design frame finish     | Polished stainless steel    |
| Frame width (inch)      | 2 5/8                       |
| Wheelchair accessible   | Yes                         |
| Extension set available | N.A.                        |



### Sales Office USA

ESS North America  
 228 East 45th Street, Suite 9E New York | NY 10017  
 T. + 1 888 317 7927 | F. + 1 888 488 1617  
[sales-usa@esspost.com](mailto:sales-usa@esspost.com) | [www.easydrainusa.com](http://www.easydrainusa.com)

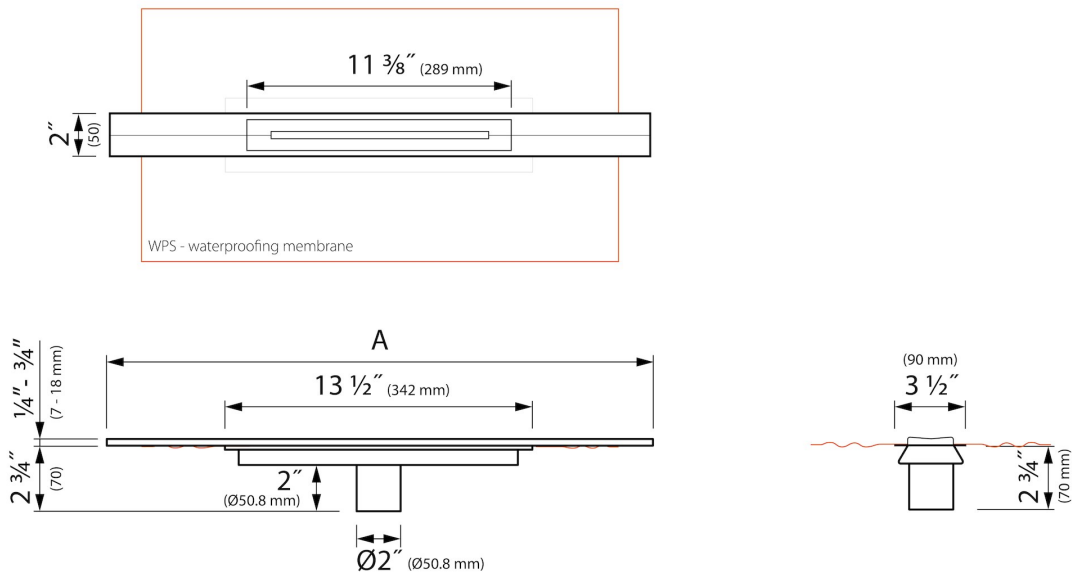
### Manufacturer

Easy Sanitary Solutions  
 Warschauerstraße 1 | 48455 Bad Bentheim | Germany  
 T. +49 (0) 59 24 29 91 568 | F. +49 (0) 59 24 29 91 537  
[info@esspost.com](mailto:info@esspost.com) | [www.easydrain.de](http://www.easydrain.de)

## ARTICLE CODE

|        |                |  |  |
|--------|----------------|--|--|
| 27 5/8 | R-LINE4-700-P  |  |  |
| 31 1/2 | R-LINE4-800-P  |  |  |
| 35 1/2 | R-LINE4-900-P  |  |  |
| 39 3/8 | R-LINE4-1000-P |  |  |
| 47 1/4 | R-LINE4-1200-P |  |  |
| 59 1/8 | R-LINE4-1500-P |  |  |
|        |                |  |  |

## TECHNICAL DRAWINGS



**Sales Office USA**

ESS North America  
 228 East 45th Street, Suite 9E New York | NY 10017  
 T. + 1 888 317 7927 | F. + 1 888 488 1617  
 sales-usa@esspost.com | www.easydrainusa.com

**Manufacturer**

Easy Sanitary Solutions  
 Warschauerstraße 1 | 48455 Bad Bentheim | Germany  
 T. +49 (0) 59 24 29 91 568 | F. +49 (0) 59 24 29 91 537  
 info@esspost.com | www.easydrain.de