



Easy Drain®

Easy Drain®
by ess

Modulo TAF

The Easy Drain Modulo TAF linear shower drain is the perfect solution for all your bathroom wishes. The subtle stainless frame provides an elegant look, and fits seamlessly into your bathroom floor. Furthermore, the revolutionary TAF technology and Water Protection System (WPS) guarantee easy installation and a waterproof finish. Barrier-free showering starts with Easy Drain. Choose from the extensive range of grates and give your bathroom a unique appearance.

ADVANTAGES

- Lowest drain rough - 3/4"
- Available lengths - 19 3/4 - 47 1/4"
- Water Protection System - 10-year warranty
- Tile Adjustable Frame - Height adjustable 1/4" - 3/4"
- Certified - c-UPC
- Supplied as - Complete set



Sales Office USA

ESS USA
561 Acorn Street, Unit M | Deer Park, NY 11729
T. (888) 317-7927 | F. (888) 488-1617
sales@easydrainusa.com | www.easydrainusa.com

Manufacturer

Easy Sanitary Solutions
Warschauerstraße 1 | 48455 Bad Bentheim | Germany
T. +49 (0) 59 24 29 91 568 | F. +49 (0) 59 24 29 91 537
info@esspost.com | www.easydrain.de

Page 1 / 3

GENERAL

Series	Modulo TAF USA
Name	Modulo TAF
Model	Linear shower drain
Dimensions (inch)	19 3/4, 23 5/8, 27 5/8, 31 1/2, 35 1/2, 39 3/8, 43 3/8, 47 1/4
Product type	Complete
Application	Renovation, New construction
Certification	cUPC

INSTALLATION

Substrate	N.A.
Floor finish	N.A.
Height adjustable feet	N.A.
Installation option	N.A.
Outlet	Vertical
Connection (inch)	2

DESIGN

Grate finish	Chrome-plated stainless steel
Trim pattern	Zero / Closed
Grate width (inch)	1 13/16
Tile insert grate (inch)	N.A.
Adjustable grate	No
Frame type	TAF (Tile Adjustable Frame)
TAF Frame material	Stainless steel (304)
Design frame finish	Chrome-plated stainless steel
Frame width (inch)	62
Wheelchair accessible	Yes
Extension set available	Yes



Sales Office USA

ESS USA
 561 Acorn Street, Unit M | Deer Park, NY 11729
 T. (888) 317-7927 | F. (888) 488-1617
sales@easydrainusa.com | www.easydrainusa.com

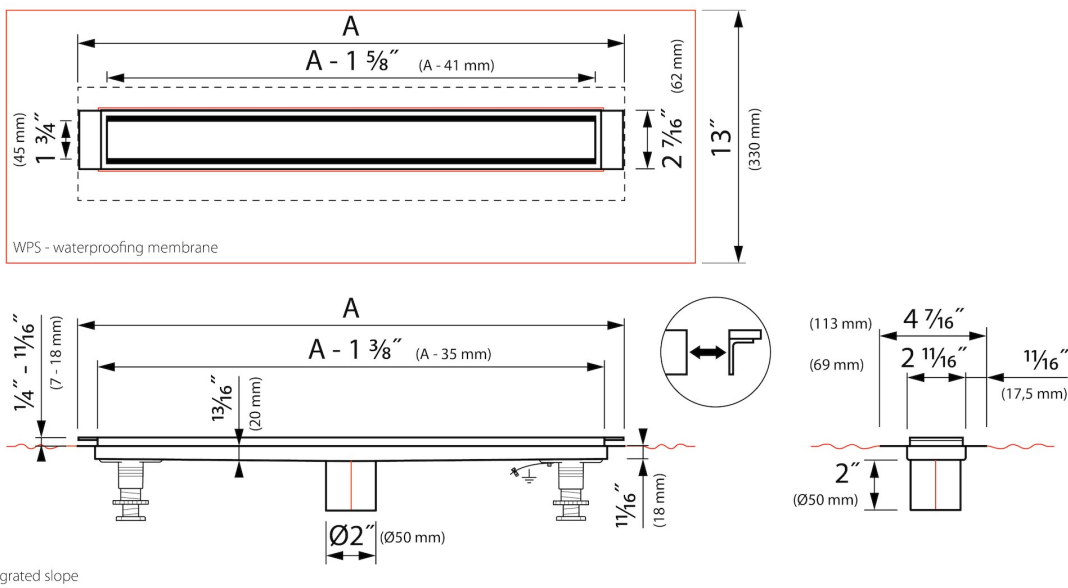
Manufacturer

Easy Sanitary Solutions
 Warschauerstraße 1 | 48455 Bad Bentheim | Germany
 T. +49 (0) 59 24 29 91 568 | F. +49 (0) 59 24 29 91 537
info@esspost.com | www.easydrain.de

ARTICLE CODE

19 3/4	MLZ+P 500 / EDM4 500		
23 5/8	MLZ+P 600 / EDM4 600		
27 5/8	MLZ+P 700 / EDM4 700		
31 1/2	MLZ+P 800 / EDM4 800		
35 1/2	MLZ+P 900 / EDM4 900		
39 3/8	MLZ+P 1000 / EDM4 1000		
43 3/8	MLZ+P 1100 / EDM4 1100		
47 1/4	MLZ+P 1200 / EDM4 1200		

TECHNICAL DRAWINGS



Sales Office USA

ESS USA
 561 Acorn Street, Unit M | Deer Park, NY 11729
 T. (888) 317-7927 | F. (888) 488-1617
 sales@easydrainusa.com | www.easydrainusa.com

Manufacturer

Easy Sanitary Solutions
 Warschauerstraße 1 | 48455 Bad Bentheim | Germany
 T. +49 (0) 59 24 29 91 568 | F. +49 (0) 59 24 29 91 537
 info@esspost.com | www.easydrain.de