

Easy Drain[®]

by ess

Modulo TAF

Easy Drain Modulo TAF linear shower drain, the perfect solutions for all your bathroom wishes. The subtle stainless frame provides an elegant look and fits seamlessly into your bathroom floor. Furthermore, the revolutionary TAF-technology and Water Protection System guarantee easy installation and a waterproof finish.

ADVANTAGES

- Lowest drain rough - 3/4"
- Available lengths - 19 3/4 - 47 1/4"
- Water Protection System - 10-year warranty
- Tile Adjustable Frame - Height adjustable 1/4" - 3/4"
- Certified - c-UPC
- Supplied as - Complete set



Sales Office USA

ESS USA

561 Acorn Street, Unit M | Deer Park, NY 11729

T. (888) 317-7927 | F. (888) 488-1617

sales@easydrainusa.com | www.easydrainusa.com

Manufacturer

Easy Sanitary Solutions

Warschauerstraße 1 | 48455 Bad Bentheim | Germany

T. +49 (0) 59 24 29 91 568 | F. +49 (0) 59 24 29 91 537

info@esspost.com | www.easydrain.de

GENERAL

| | |
|-------------------|--|
| Series | Modulo TAF USA |
| Name | Modulo TAF |
| Model | Linear shower drain |
| Dimensions (inch) | 19 3/4, 23 5/8, 27 5/8, 31 1/2, 35 1/2, 39 3/8, 43 3/8, 47 1/4 |
| Product type | Complete |
| Application | New construction, Renovation |
| Certification | cUPC |

INSTALLATION

| | |
|------------------------|---|
| Substrate | Concrete / Sand Cement, Lewis sheets, Wooden floors |
| Floor finish | Tiles / Mosaic, Natural stone, Glass Mosaic, Thin tiles |
| Height adjustable feet | Included |
| Installation option | Floor |
| Outlet | Vertical |
| Connection (inch) | 2 |

DESIGN

| | |
|--------------------------|-----------------------------|
| Grate finish | Brushed stainless steel |
| Trim pattern | Zero / Closed |
| Grate width (inch) | 1 13/16 |
| Tile insert grate (inch) | N.A. |
| Adjustable grate | No |
| Frame type | TAF (Tile Adjustable Frame) |
| TAF Frame material | Stainless steel (304) |
| Design frame finish | Brushed stainless steel |
| Frame width (inch) | 2 7/16" |
| Wheelchair accessible | Yes |
| Extension set available | Yes |



Sales Office USA

ESS USA
 561 Acorn Street, Unit M | Deer Park, NY 11729
 T. (888) 317-7927 | F. (888) 488-1617
sales@easydrainusa.com | www.easydrainusa.com

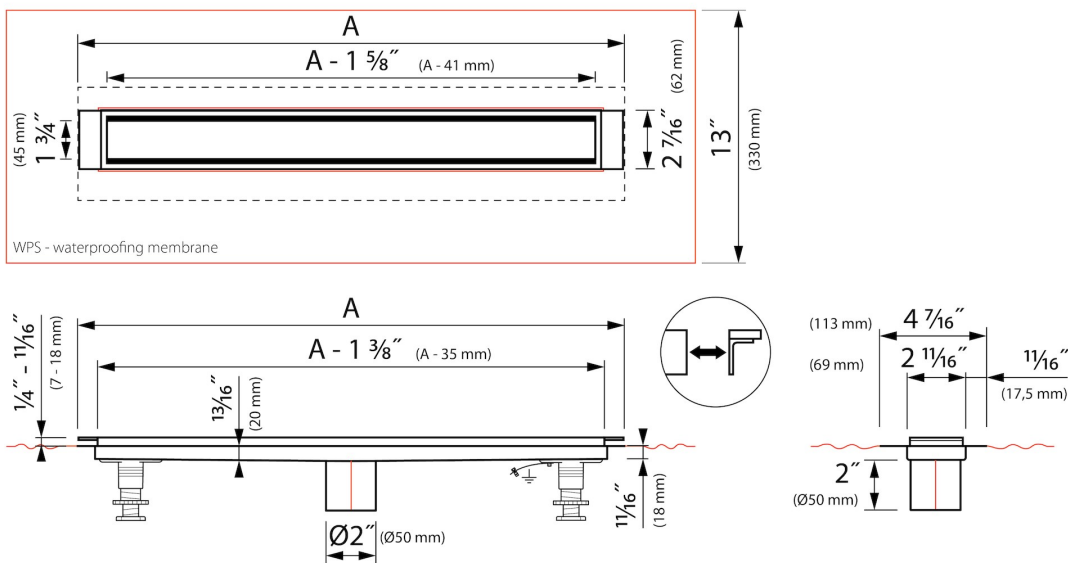
Manufacturer

Easy Sanitary Solutions
 Warschauerstraße 1 | 48455 Bad Bentheim | Germany
 T. +49 (0) 59 24 29 91 568 | F. +49 (0) 59 24 29 91 537
info@esspost.com | www.easydrain.de

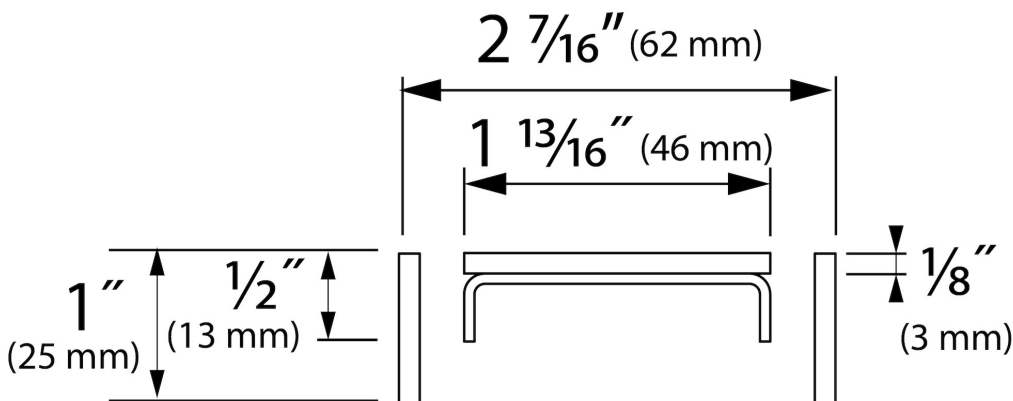
ARTICLE CODE

| | | | |
|--------|------------------------|--|--|
| 19 3/4 | MLZ+M 500 / EDM4 500 | | |
| 23 5/8 | MLZ+M 600 / EDM4 600 | | |
| 27 5/8 | MLZ+M 700 / EDM4 700 | | |
| 31 1/2 | MLZ+M 800 / EDM4 800 | | |
| 35 1/2 | MLZ+M 900 / EDM4 900 | | |
| 39 3/8 | MLZ+M 1000 / EDM4 1000 | | |
| 43 3/8 | MLZ+M 1100 / EDM4 1100 | | |
| 47 1/4 | MLZ+M 1200 / EDM4 1200 | | |

TECHNICAL DRAWINGS



integrated slope



Sales Office USA

ESS USA
 561 Acorn Street, Unit M | Deer Park, NY 11729
 T. (888) 317-7927 | F. (888) 488-1617
 sales@easydrainusa.com | www.easydrainusa.com

Manufacturer

Easy Sanitary Solutions
 Warschauerstraße 1 | 48455 Bad Bentheim | Germany
 T. +49 (0) 59 24 29 91 568 | F. +49 (0) 59 24 29 91 537
 info@esspost.com | www.easydrain.de