



Easy Drain<sup>®</sup>  
by ess

## Modulo TAF Wall

Easy Drain Modulo TAF Wall linear shower drain fits perfect between any wall and any floor. The subtle stainless frame beautifully connects your bathroom wall and floor, while the ground-breaking TAF-system and Water Protection System make sure that all of the shower water is drained.

### ADVANTAGES

- Lowest drain rough - 3/4"
- Available lengths - 19 3/4 - 47 1/4"
- Water Protection System - 10-year warranty
- Tile Adjustable Frame - Height adjustable 1/4" - 3/4"
- Certified - c-UPC
- Supplied as - Complete set



#### Sales Office USA

ESS USA  
561 Acorn Street, Unit M | Deer Park, NY 11729  
T. (888) 317-7927 | F. (888) 488-1617  
sales@easydrainusa.com | www.easydrainusa.com

#### Manufacturer

Easy Sanitary Solutions  
Warschauerstraße 1 | 48455 Bad Bentheim | Germany  
T. +49 (0) 59 24 29 91 568 | F. +49 (0) 59 24 29 91 537  
info@esspost.com | www.easydrain.de

## GENERAL

|                   |  |
|-------------------|--|
| Series            | Modulo TAF Wall USA  |
| Name              | Modulo TAF Wall  |
| Model             | Linear shower drain  |
| Dimensions (inch) | 19 3/4, 23 5/8, 27 5/8, 31 1/2, 35 1/2, 39 3/8, 43 3/8, 47 1/4 |
| Product type      | Complete   |
| Application       | New construction, Renovation                                   |
| Certification     | cUPC   |

## INSTALLATION

|                        |   |
|------------------------|---|
| Substrate              | Concrete / Sand Cement, Lewis sheets, Wooden floors     |
| Floor finish           | Tiles / Mosaic, Natural stone, Glass Mosaic, Thin tiles |
| Height adjustable feet | Included  |
| Installation option    | Wall  |
| Outlet                 | Vertical  |
| Connection (inch)      | 2   |

## DESIGN

|                          |                               |
|--------------------------|-------------------------------|
| Grate finish             | Chrome-plated stainless steel |
| Trim pattern             | Zero / Closed                 |
| Grate width (inch)       | 1 13/16                       |
| Tile insert grate (inch) | 1/2                           |
| Adjustable grate         | No                            |
| Frame type               | TAF (Tile Adjustable Frame)   |
| TAF Frame material       | Stainless steel (304)         |
| Design frame finish      | Chrome-plated stainless steel |
| Frame width (inch)       | 3 3/16"                       |
| Wheelchair accessible    | Yes                           |
| Extension set available  | Yes                           |



### Sales Office USA

ESS USA  
 561 Acorn Street, Unit M | Deer Park, NY 11729  
 T. (888) 317-7927 | F. (888) 488-1617  
[sales@easydrainusa.com](mailto:sales@easydrainusa.com) | [www.easydrainusa.com](http://www.easydrainusa.com)

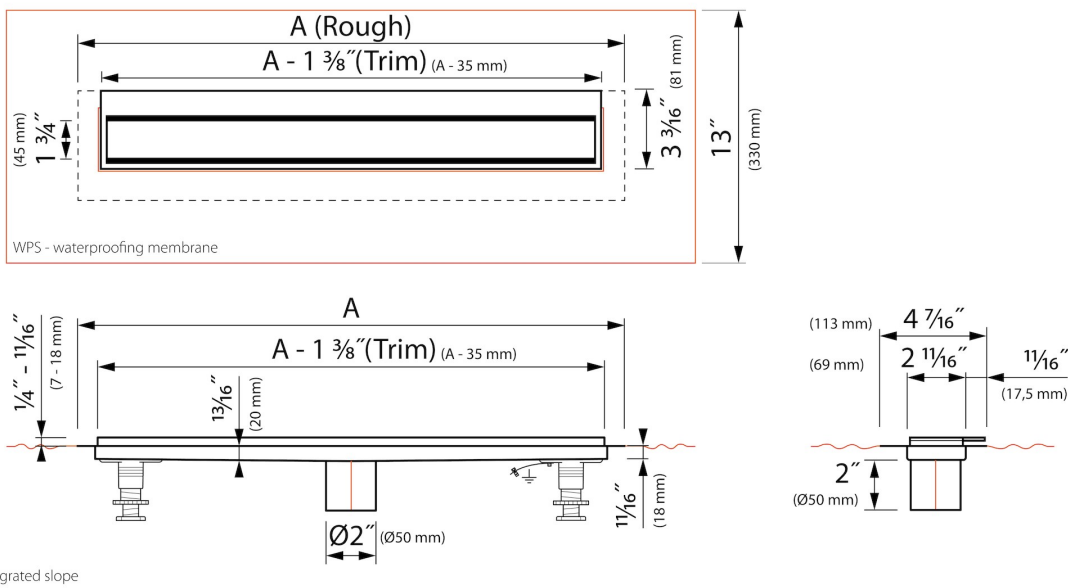
### Manufacturer

Easy Sanitary Solutions  
 Warschauerstraße 1 | 48455 Bad Bentheim | Germany  
 T. +49 (0) 59 24 29 91 568 | F. +49 (0) 59 24 29 91 537  
[info@esspost.com](mailto:info@esspost.com) | [www.easydrain.de](http://www.easydrain.de)

## ARTICLE CODE

|        |                         |  |  |
|--------|-------------------------|--|--|
| 19 3/4 | MLWZ+P 500 / EDM4 500   |  |  |
| 23 5/8 | MLWZ+P 600 / EDM4 600   |  |  |
| 27 5/8 | MLWZ+P 700 / EDM4 700   |  |  |
| 31 1/2 | MLWZ+P 800 / EDM4 800   |  |  |
| 35 1/2 | MLWZ+P 900 / EDM4 900   |  |  |
| 39 3/8 | MLWZ+P 1000 / EDM4 1000 |  |  |
| 43 3/8 | MLWZ+P 1100 / EDM4 1100 |  |  |
| 47 1/4 | MLWZ+P 1200 / EDM4 1200 |  |  |

## TECHNICAL DRAWINGS



**Sales Office USA**

ESS USA  
 561 Acorn Street, Unit M | Deer Park, NY 11729  
 T. (888) 317-7927 | F. (888) 488-1617  
 sales@easydrainusa.com | www.easydrainusa.com

**Manufacturer**

Easy Sanitary Solutions  
 Warschauerstraße 1 | 48455 Bad Bentheim | Germany  
 T. +49 (0) 59 24 29 91 568 | F. +49 (0) 59 24 29 91 537  
 info@esspost.com | www.easydrain.de