

PRODUCT SPECIFICATIONS

Elkay Stainless Steel 84" x 30" x 36" 16 Gauge Flat Top Work Table with Stainless Steel Legs and Cross Brace. Sink is manufactured from 16 gauge Stainless Steel with a #4 Finish .

Material:	Stainless Steel
Finish:	#4 Finish
Gauge:	16
Weight Without Packaging:	130
Number of Bowls:	0
Sink Dimensions:	84" x 30" x 36"
Leg Type:	Stainless Steel

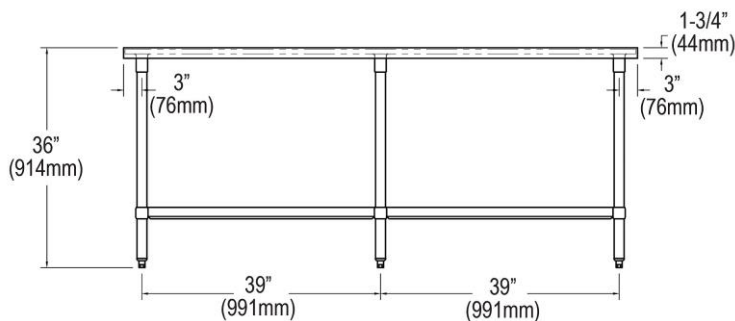
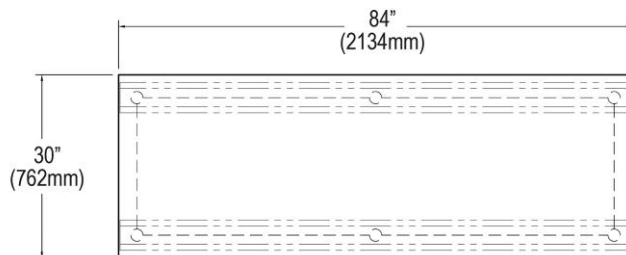
Special Note: 18 Gauge Stainless Steel Cross Bracing



Included with Product: Cross brace, stainless steel legs, and adjustable bullet feet.

AMERICAN PRIDE. A LIFETIME TRADITION. Like your family, the Elkay family has values and traditions that endure. For almost a century, Elkay has been a family-owned and operated company, providing thousands of jobs that support our families and communities.

Product Compliance: NSF 2



PART: _____ QTY: _____

PROJECT: _____

CONTACT: _____

DATE: _____

NOTES: _____

APPROVAL: _____

In keeping with our policy of continuing product improvement, Elkay reserves the right to change product specifications without notice. Please visit elkay.com for the most current version of Elkay product specification sheets. This specification describes an Elkay product with design, quality, and functional benefits to the user. When making a comparison of other producers' offerings, be certain these features are not overlooked.