

**PRODUCT SPECIFICATIONS**

Elkay Stainless Steel 48" x 30" x 36" 16 Gauge Flat Top Work Table with Stainless Steel Legs and Undershef. Sink is manufactured from 16 gauge Stainless Steel with a #4 Finish .

<b>Material:</b>	Stainless Steel
<b>Finish:</b>	#4 Finish
<b>Gauge:</b>	16
<b>Weight Without Packaging:</b>	92
<b>Number of Bowls:</b>	0
<b>Sink Dimensions:</b>	48" x 30" x 36"
<b>Leg Type:</b>	Stainless Steel

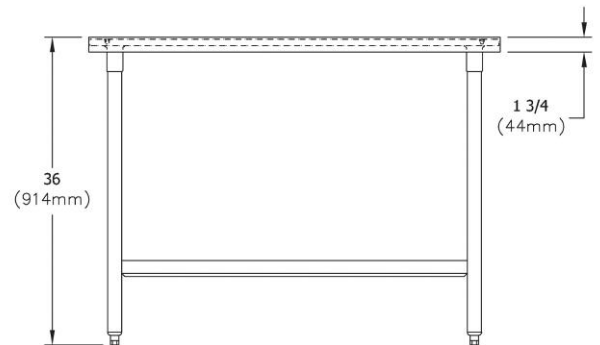
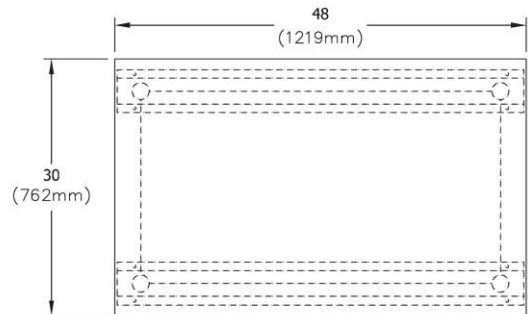
**Special Note:** 18 Gauge Stainless Steel Undershef



**Included with Product:** Undershef, stainless steel legs, and adjustable bullet feet.

AMERICAN PRIDE. A LIFETIME TRADITION. Like your family, the Elkay family has values and traditions that endure. For almost a century, Elkay has been a family-owned and operated company, providing thousands of jobs that support our families and communities.

**Product Compliance:** NSF 2



PART: \_\_\_\_\_ QTY: \_\_\_\_\_

PROJECT: \_\_\_\_\_

CONTACT: \_\_\_\_\_

DATE: \_\_\_\_\_

NOTES: \_\_\_\_\_

APPROVAL: \_\_\_\_\_

*In keeping with our policy of continuing product improvement, Elkay reserves the right to change product specifications without notice. Please visit [elkay.com](http://elkay.com) for the most current version of Elkay product specification sheets. This specification describes an Elkay product with design, quality, and functional benefits to the user. When making a comparison of other producers' offerings, be certain these features are not overlooked.*