

ELKAY[®]

SPECIFICATIONS

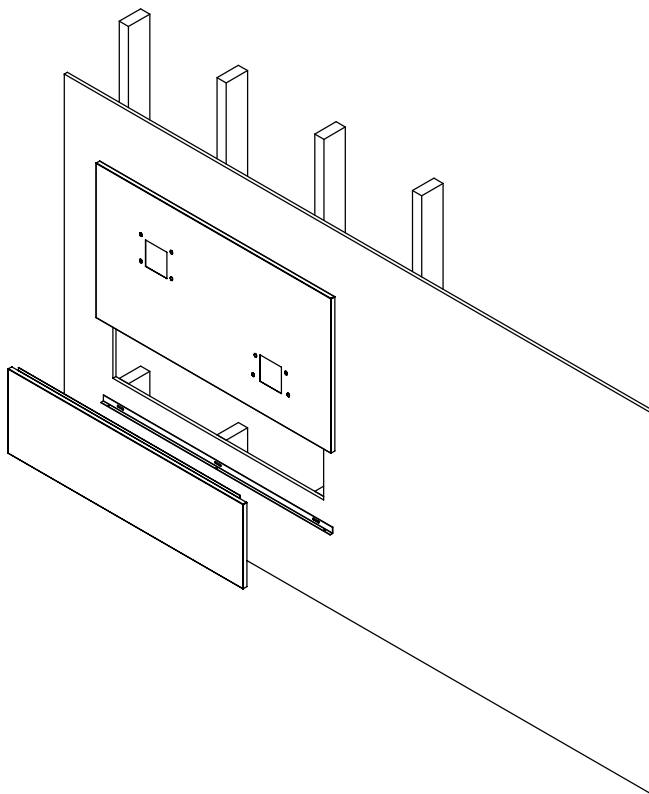
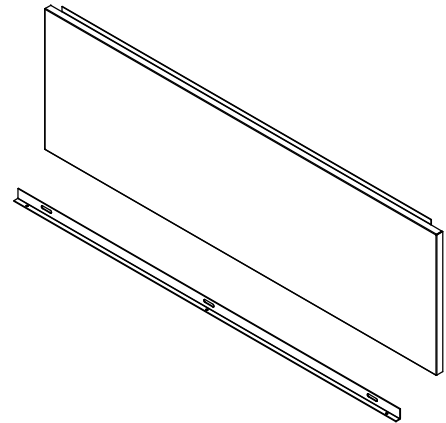
Access Panel
for Bi-Level Fountains
Model ACCESS12X38-5

GENERAL

Access panel designed for use with SwirlFlo[®] and Soft Sides[®] bi-level fountains. Allows easy access for servicing.

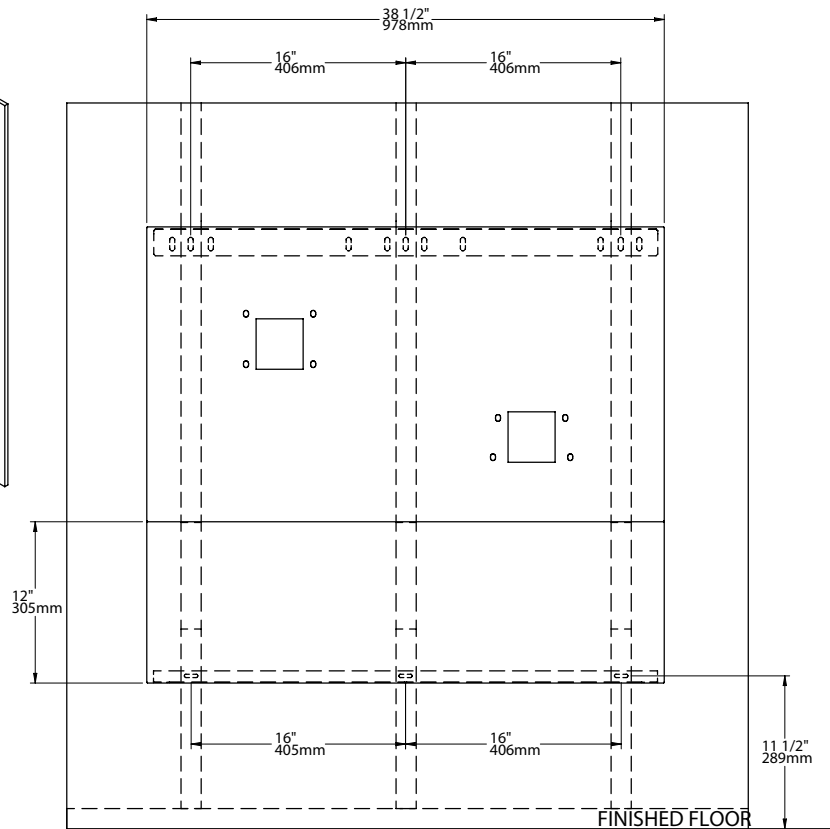
CONSTRUCTION

Type 300 series stainless steel



Includes the access panel and L-bracket for mounting. The access panel has a tab along the top which secures behind the fountain back panel. L-bracket is mounted to the wall. Access panel is secured to L-bracket with screws.

Note - upper panel portion is not included with this item. Shown only for mounting reference.



In keeping with our policy of continuing product improvement, Elkay reserves the right to change product specifications without notice. Please visit elkayusa.com for most current version.

This specification describes an Elkay product with design, quality and functional benefits to the user. When making a comparison of other producers' offerings, be certain these features are not overlooked.