

PRODUCT SPECIFICATIONS

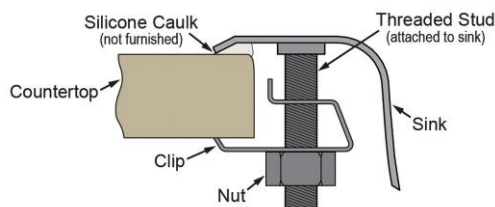
Elkay Stainless Steel 16-3/8" x 16-3/8" x 7", Single Bowl Dual Mount Bar Sink Rugged Textured. Sink is manufactured from 18 gauge 304 Stainless Steel with a Rugged Satin finish, Center drain placement, and Full spray sides and bottom.

Installation Type:	Drop-in, Undermount
Material:	304 Stainless Steel
Finish:	Rugged Satin
Gauge:	18
Sound Deadening:	Full spray sides and bottom
Number of Bowls:	1
Sink Dimensions:	16-3/8" x 16-3/8" x 7"
Bowl 1 Dimensions:	14" x 14" x 7"
Drain Size:	3-1/2" (89mm)
Drain Location:	Center
Minimum Cabinet Size:	21"
Mounting Hardware:	Included
Cutout Template #:	1000000873

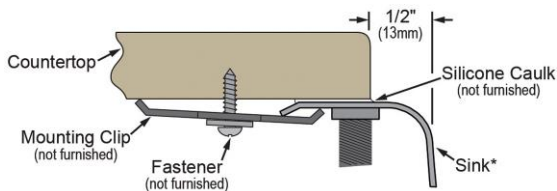
Template is available for download at elkay.com

Installation Profile:

DROP-IN



UNDERMOUNT - 1/2" REVEAL



*Designed to affix to the underside of any solid surface countertop.

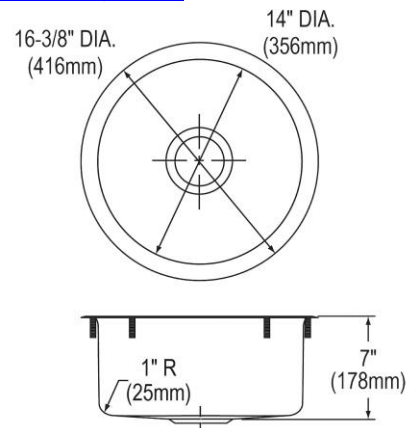


AMERICAN PRIDE. A LIFETIME TRADITION.
Like your family, the Elkay family has values and traditions that endure. For almost a century, Elkay has been a family-owned and operated company, providing thousands of jobs that support our families and communities.

Product Compliance: ASME A112.19.3/CSA B45.4

Sinks are listed by IAPMO[®] as meeting the applicable requirements of the Uniform Plumbing Code[®], International Plumbing Code[®], and National Plumbing Code of Canada.

- [Clean and Care Manual \(PDF\)](#)
- [Installation Instructions \(PDF\)](#)
- [Limited Lifetime Warranty \(PDF\)](#)



PART: _____ QTY: _____

PROJECT: _____

CONTACT: _____

DATE: _____

NOTES: _____

APPROVAL: _____

In keeping with our policy of continuing product improvement, Elkay reserves the right to change product specifications without notice. Please visit elkay.com for the most current version of Elkay product specification sheets. This specification describes an Elkay product with design, quality, and functional benefits to the user. When making a comparison of other producers' offerings, be certain these features are not overlooked.

OPTIONAL ACCESSORIES

Bottom Grid:	LKWRBG14SS
Drain:	LK99
Soap Dispenser:	LKMY1054

In keeping with our policy of continuing product improvement, Elkay reserves the right to change product specifications without notice. Please visit elkay.com for the most current version of Elkay product specification sheets. This specification describes an Elkay product with design, quality, and functional benefits to the user. When making a comparison of other producers' offerings, be certain these features are not overlooked.