

PRODUCT SPECIFICATIONS

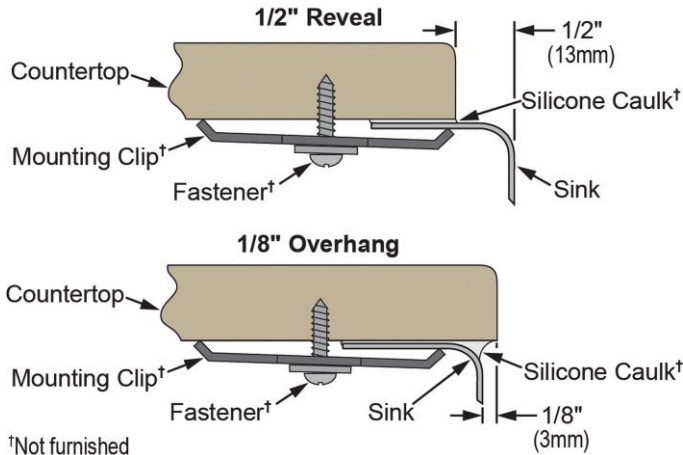
Elkay Pursuit Stainless Steel 30-1/2" x 18-1/2" x 11-1/2", Single Bowl Undermount Laundry Sink. Sink is manufactured from 18 gauge 316L Stainless Steel with a Lustertone finish, Rear Center drain placement, and Sides and Bottom pads.

| | |
|------------------------------|-------------------------------------|
| Installation Type: | Undermount |
| Material: | 316L Stainless Steel |
| Finish: | Lustertone |
| Gauge: | 18 |
| Sound Deadening: | Sides and Bottom pads |
| Number of Bowls: | 1 |
| Sink Dimensions: | 30-1/2" x 18-1/2" x 11-1/2" |
| Bowl 1 Dimensions: | 28" x 16" x 11-1/2" |
| Drain Size: | 3-1/2" (89mm) |
| Drain Location: | Rear Center |
| Minimum Cabinet Size: | 36" |
| Mounting Hardware: | Undermount brackets sold separately |
| Template Included: | Yes |
| Cutout Template #: | 1000001414 |

Template is available for download at [elkay.com](#)

Special Note: Made with Type 316 Stainless Steel

Installation Profile:



†Not furnished

Designed to affix to the underside of any solid surface countertop.



AMERICAN PRIDE. A LIFETIME TRADITION.

Like your family, the Elkay family has values and traditions that endure. For almost a century, Elkay has been a family-owned and operated company, providing thousands of jobs that support our families and communities.

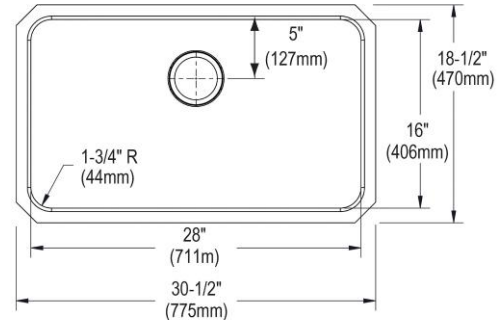


Product Compliance: ASME A112.19.3/CSA B45.4
BUY AMERICAN ACT



Sinks are listed by IAPMO[®] as meeting the applicable requirements of the Uniform Plumbing Code[®], International Plumbing Code[®], and c[®] National Plumbing Code of Canada.

[Clean and Care Manual \(PDF\)](#)
[Installation Instructions \(PDF\)](#)
[Limited Lifetime Warranty \(PDF\)](#)



PART: _____ QTY: _____

PROJECT: _____

CONTACT: _____

DATE: _____

NOTES: _____

APPROVAL: _____

In keeping with our policy of continuing product improvement, Elkay reserves the right to change product specifications without notice. Please visit [elkay.com](#) for the most current version of Elkay product specification sheets. This specification describes an Elkay product with design, quality, and functional benefits to the user. When making a comparison of other producers' offerings, be certain these features are not overlooked.

OPTIONAL ACCESSORIES

| | |
|------------------------|-----------------|
| Bottom Grid: | LKWOBG2816SS |
| Cutting Board: | CB1713, CBS1316 |
| Drain: | LK335, LK372 |
| Hardware: | LKUCLIP8 |
| Rinsing Basket: | LKWRB2816SS |
| Sinkmate: | LKSMHSL |

In keeping with our policy of continuing product improvement, Elkay reserves the right to change product specifications without notice. Please visit elkay.com for the most current version of Elkay product specification sheets. This specification describes an Elkay product with design, quality, and functional benefits to the user. When making a comparison of other producers' offerings, be certain these features are not overlooked.