

SPECIFICATIONS

PRODUCT SPECIFICATIONS

Halsey Taylor Mounting Frame for bi-level HRF SER/ESR.

Finish:	Galvanized Steel
Shipping Weight:	27 lbs.

Special Note: For use with bi-level HRF SER/ESR style models.



Included with Product: Mounting frame assembly

AMERICAN PRIDE. A LIFETIME TRADITION.
 Like your family, the Elkay family has values and traditions that endure. For almost a century, Elkay has been a family-owned and operated company, providing thousands of jobs that support our families and communities.



Product Compliance: BUY AMERICAN ACT

[Installation Instructions \(PDF\)](#)

PART: _____ QTY: _____
 PROJECT: _____
 CONTACT: _____
 DATE: _____
 NOTES: _____
 APPROVAL: _____

In keeping with our policy of continuing product improvement, Elkay reserves the right to change product specifications without notice. Please visit elkay.com for the most current version of Elkay product specification sheets. This specification describes an Elkay product with design, quality, and functional benefits to the user. When making a comparison of other producers' offerings, be certain these features are not overlooked.

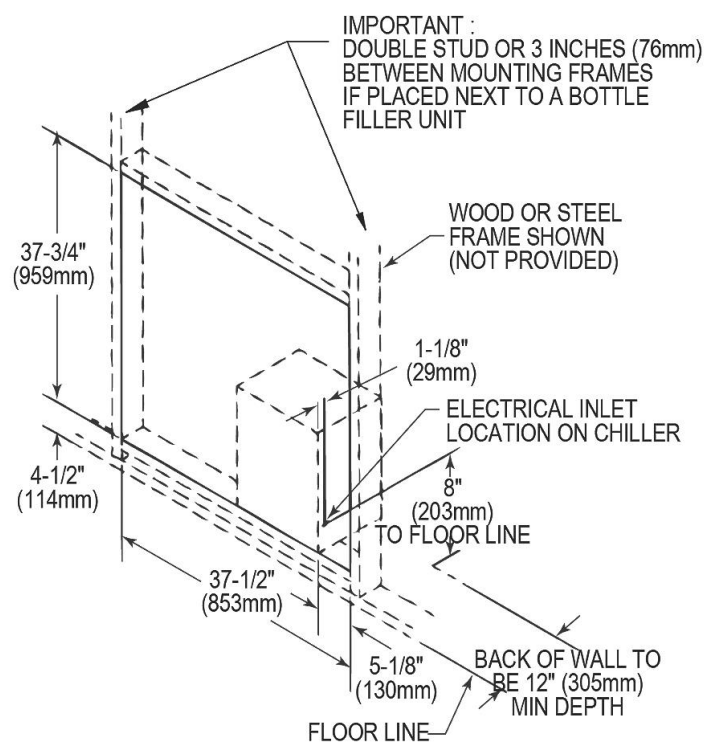
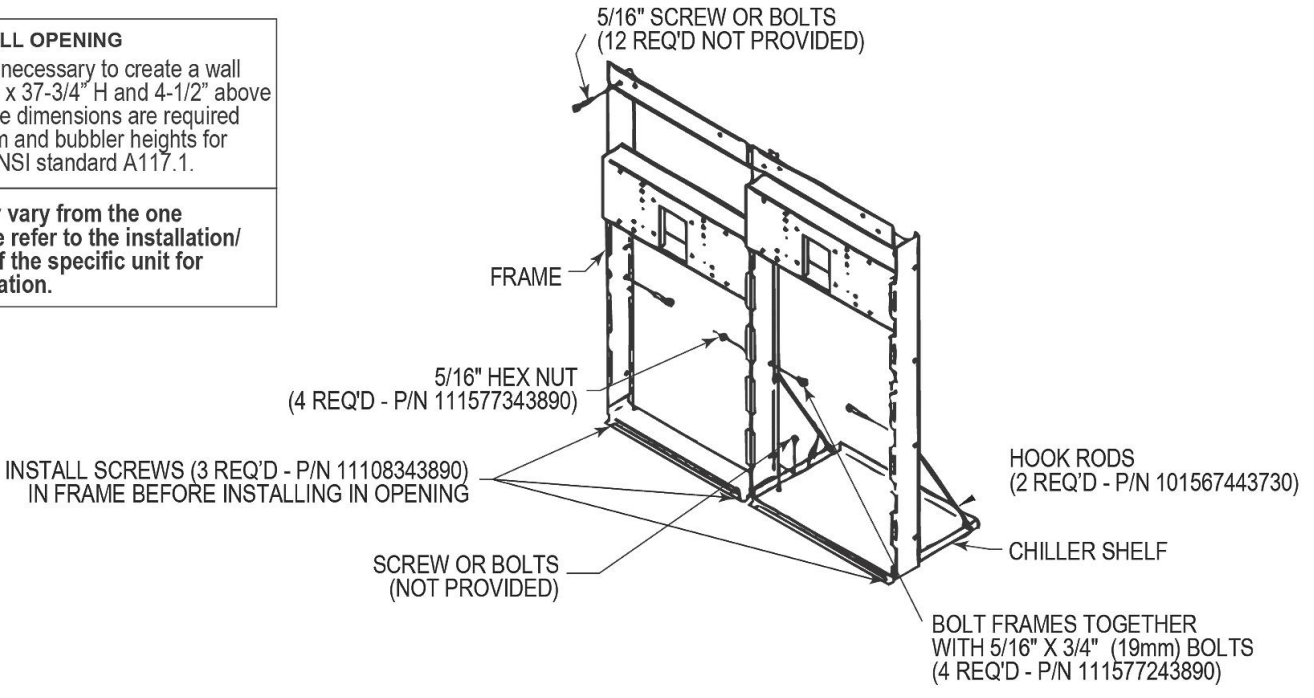
Halsey Taylor Mounting Frame for bi-level HRF SER/ESR Model(s) HTDBLFRM

SPECIFICATIONS

WALL OPENING

IMPORTANT: It is necessary to create a wall opening 37-1/2" W x 37-3/4" H and 4-1/2" above the floor line. These dimensions are required to obtain proper rim and bubbler heights for compliance with ANSI standard A117.1.

Actual frame may vary from the one illustrated. Please refer to the installation/owners manual of the specific unit for additional information.



In keeping with our policy of continuing product improvement, Elkay reserves the right to change product specifications without notice. Please visit elkay.com for the most current version of Elkay product specification sheets. This specification describes an Elkay product with design, quality, and functional benefits to the user. When making a comparison of other producers' offerings, be certain these features are not overlooked.