

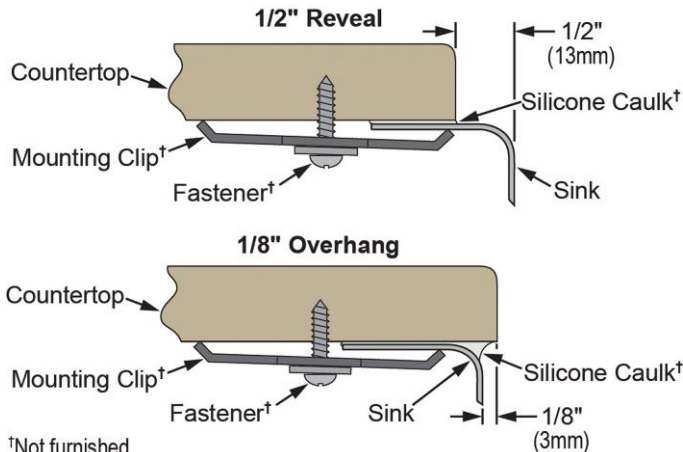
PRODUCT SPECIFICATIONS

Elkay Lustertone™ Classic Stainless Steel 30-1/2" x 18-1/2" x 7-1/2", Single Bowl Undermount Sink Kit. Sink is manufactured from 18 gauge 304 Stainless Steel with a Lustrous Satin finish, Rear Center drain placement, and Sides and Bottom pads.

Installation Type:	Undermount
Material:	304 Stainless Steel
Finish:	Lustrous Satin
Gauge:	18
Sound Deadening:	Sides and Bottom pads
Number of Bowls:	1
Sink Dimensions:	30-1/2" x 18-1/2" x 7-1/2"
Bowl 1 Dimensions:	28" x 16" x 7-1/2"
Drain Size:	3-1/2" (89mm)
Drain Location:	Rear Center
Minimum Cabinet Size:	36"
Mounting Hardware:	Undermount brackets sold separately
Template Included:	Yes
Cutout Template #:	1000001414

Template is available for download at [elkay.com](#)

Installation Profile:



†Not furnished

Designed to affix to the underside of any solid surface countertop.



Included with Product: ELUH2816 sink, LKWOBG2816SS bottom grid, LK99 drain

AMERICAN PRIDE. A LIFETIME TRADITION.

Like your family, the Elkay family has values and traditions that endure. For almost a century, Elkay has been a family-owned and operated company, providing thousands of jobs that support our families and communities.



Product Compliance: ASME A112.19.3/CSA B45.4
BUY AMERICAN ACT

Accessory: ASME A112.18.2/CSA B125.2

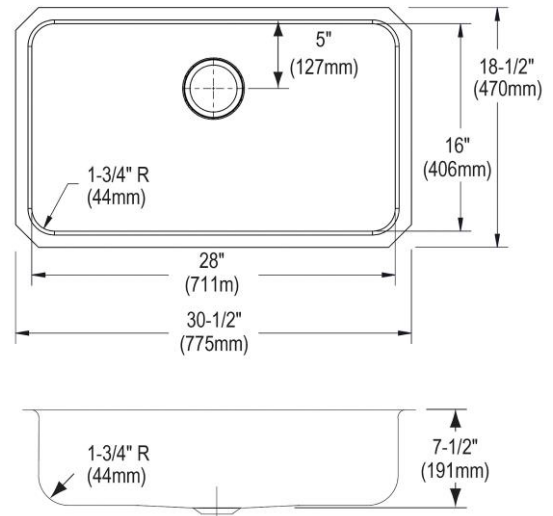
[Clean and Care Manual \(PDF\)](#)

[Installation Instructions \(PDF\) - 74180187](#)

[Installation Instructions \(PDF\) - 74210010 Drain](#)

[Limited Lifetime Warranty \(PDF\)](#)

Similar models are available with: extra deep bowls



PART: _____ QTY: _____

PROJECT: _____

CONTACT: _____

DATE: _____

NOTES: _____

APPROVAL: _____

In keeping with our policy of continuing product improvement, Elkay reserves the right to change product specifications without notice. Please visit [elkay.com](#) for the most current version of Elkay product specification sheets. This specification describes an Elkay product with design, quality, and functional benefits to the user. When making a comparison of other producers' offerings, be certain these features are not overlooked.

OPTIONAL ACCESSORIES

Cutting Board:	CB1713*, CBS1316*
Faucet:	LKGT1041, LKGT2041
Hardware:	LKUCLIP8 (2 Required)
Soap Dispenser:	LKGT1054
* 1/2" sink reveal required for proper fit.	

In keeping with our policy of continuing product improvement, Elkay reserves the right to change product specifications without notice. Please visit elkay.com for the most current version of Elkay product specification sheets. This specification describes an Elkay product with design, quality, and functional benefits to the user. When making a comparison of other producers' offerings, be certain these features are not overlooked.