

PRODUCT SPECIFICATIONS

Elkay Lustertone™ Classic Stainless Steel 41" x 19-1/2" x 7-5/8", Double Bowl Drop-in Classroom Sink. Sink is manufactured from 18 gauge 304 Stainless Steel with a Lustrous Satin finish, Center drain placement, and Sides and Bottom pads.

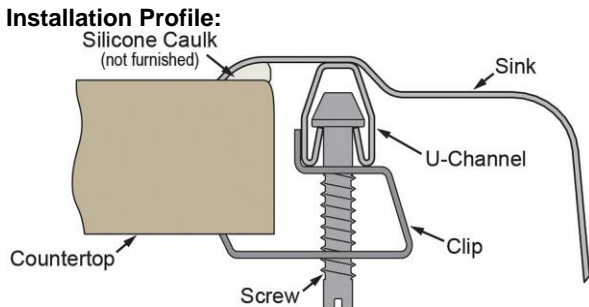
Installation Type:	Drop-in
Material:	304 Stainless Steel
Finish:	Lustrous Satin
Gauge:	18
Sound Deadening:	Sides and Bottom pads
Number of Bowls:	2
Sink Dimensions:	41" x 19-1/2" x 7-5/8"
Bowl 1 Dimensions:	10" x 14" x 3-1/2"
Bowl 2 Dimensions:	19" x 16" x 7-1/2"
Drain Size:	2" (51mm), 3-1/2" (89mm)
Drain Location:	Center
Minimum Cabinet Size:	45"
Mounting Hardware:	Part # 64090008 included for countertops up to 3/4" (19mm) thick



AMERICAN PRIDE. A LIFETIME TRADITION.
Like your family, the Elkay family has values and traditions that endure. For almost a century, Elkay has been a family-owned and operated company, providing thousands of jobs that support our families and communities.



Product Compliance: ASME A112.19.3/CSA B45.4
BUY AMERICAN ACT



OPTIONAL ACCESSORIES

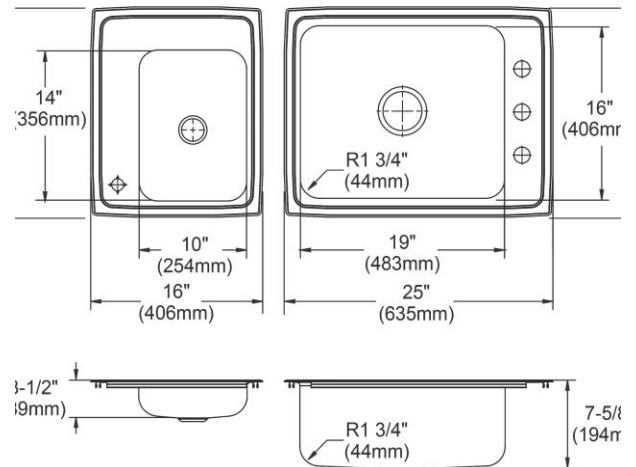
Hardware:	LK364, LK463 (2 Required)
Sinkmate:	LKSMHSL



Sinks are listed by IAPMO® as meeting the applicable requirements of the Uniform Plumbing Code®, International Plumbing Code®, and National Plumbing Code of Canada.

- [Clean and Care Manual \(PDF\)](#)
- [Installation Instructions \(PDF\)](#)
- [Limited Lifetime Warranty \(PDF\)](#)

Three Faucet Holes 1-1/2" (38mm) Diameter Faucet Holes on 4" (102mm) Centers
One Slotted Hole 1-1/8" (29mm) Diameter Slotted Hole



PART: _____ QTY: _____

PROJECT: _____

CONTACT: _____

DATE: _____

NOTES: _____

APPROVAL: _____

In keeping with our policy of continuing product improvement, Elkay reserves the right to change product specifications without notice. Please visit elkay.com for the most current version of Elkay product specification sheets. This specification describes an Elkay product with design, quality, and functional benefits to the user. When making a comparison of other producers' offerings, be certain these features are not overlooked.