

PRODUCT SPECIFICATIONS

Elkay Countertop Fountain, Non-Filtered Non-Refrigerated Stainless. Chilling Capacity of (gallons per hour) of 50° F drinking water, based on 80° F inlet water and 90° F ambient, per ASHRAE 18 testing. Furnished with Flexi-Guard® Safety Bubbler. Mechanical Front Bubbler Button activation. Product shall be Countertop mounted, for Indoor + Outdoor applications, serving 1 station(s). Unit shall be lead-free design which is certified to NSF/ANSI 61 & 372 (lead free) and meets Federal and State low-lead requirements.

Finish:	Stainless Steel
Power:	No Electrical Required
Bubbler Style:	Flexi-Guard® Safety Bubbler
Activation by:	Mechanical Front Bubbler Button
Mounting Type:	Countertop
Dimensions (L x W x H):	14-3/8" x 14-3/8" x 10-3/8"
Approx. Shipping Weight:	7 lbs.
Installation Location:	Indoor + Outdoor
No. of Stations Served:	1
*Based on 80° F inlet water & 90° F ambient air temp for 50° F chilled drinking water.	

- Mechanically-Activated bubbler continues to supply water in event of service disruptions.



AMERICAN PRIDE. A LIFETIME TRADITION. Like your family, the Elkay family has values and traditions that endure. For almost a century, Elkay has been a family-owned and operated company, providing thousands of jobs that support our families and communities.



Included with Product: Fountain

PRODUCT COMPLIANCE

ASME A112.19.3/CSA B45.4

Buy American Act

NSF/ANSI 61 & 372 (lead free)



[Installation Instructions \(PDF\)](#)

Water Systems are warranted for 12 months from date of installation. **Warranty pertains to drinking water applications only. Non-drinking water applications are not covered under warranty.**

[Warranty \(PDF\)](#)

PART: _____ QTY: _____

PROJECT: _____

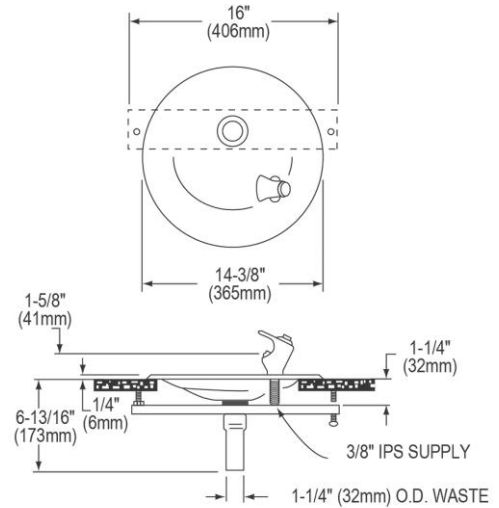
CONTACT: _____

DATE: _____

NOTES: _____

APPROVAL: _____

In keeping with our policy of continuing product improvement, Elkay reserves the right to change product specifications without notice. Please visit elkay.com for the most current version of Elkay product specification sheets. This specification describes an Elkay product with design, quality, and functional benefits to the user. When making a comparison of other producers' offerings, be certain these features are not overlooked.



ACCEPTS COUNTERTOP THICKNESS UP TO 1-5/8" (41mm)

OPTIONAL ACCESSORIES

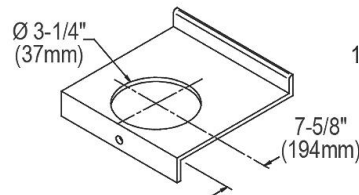
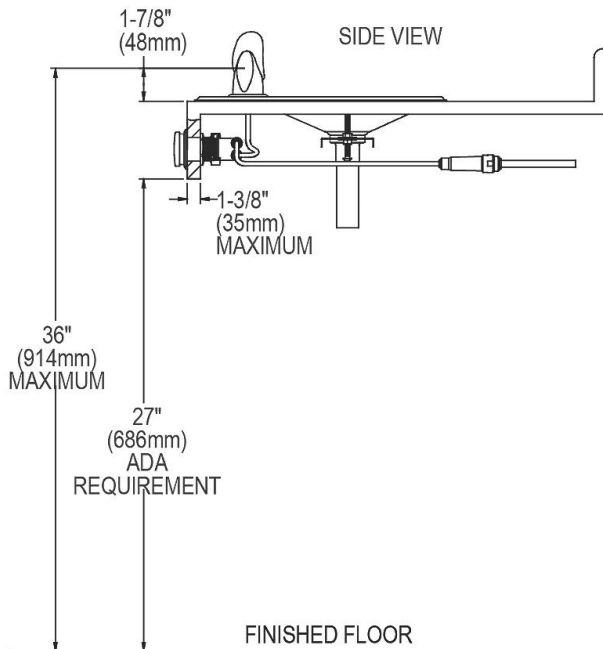
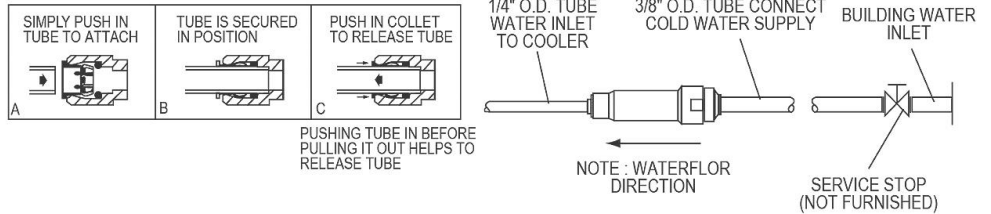
EWF172 - WaterSentry VII Filter Kit (Coolers + Fountains)
97446C - Accessory - Bubbler Kit Vandal-Resistant
LK1110 - Elkay Glass Filler
LK1114 - Elkay Glass Filler Chrome 2-1/2" x 10"

In keeping with our policy of continuing product improvement, Elkay reserves the right to change product specifications without notice. Please visit elkay.com for the most current version of Elkay product specification sheets. This specification describes an Elkay product with design, quality, and functional benefits to the user. When making a comparison of other producers' offerings, be certain these features are not overlooked.

INSTALLER NOTE

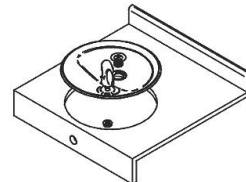
This drinking fountain is furnished with a bubbler and valve including all connecting fittings which are manufactured of completely lead free material. It is recommended that shut off valve and supply tubing supplied by others be non-metallic.

OPERATION OF QUICK CONNECT FITTINGS



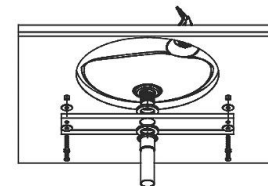
1. 13-1/4" (337mm) DIAMETER CUTOUT IN DESIRED LOCATION ON COUNTERTOP.

2. INSTALL BUBBLER ASSEMBLY TO FOUNTAIN. ALIGN RECESS IN UNDERSIDE OF BUBBLER WITH DIMPLE IN FOUNTAIN.



3. APPLY CAULK (NOT FURNISHED) AROUND CUTOUT AND WASTE OPENING. PLACE FOUNTAIN OVER OPENING AND DROP IN STRAINER.

4. FROM UNDERSIDE . . . POSITION AND SECURE TIEDOWN BRACKET USING WASTE FITTING.



5. USE SCREWS WITH NUTS TO TIGHTEN UNIT TO COUNTERTOP. WIPE OFF EXCESS CAULKING.

In keeping with our policy of continuing product improvement, Elkay reserves the right to change product specifications without notice. Please visit elkay.com for the most current version of Elkay product specification sheets. This specification describes an Elkay product with design, quality, and functional benefits to the user. When making a comparison of other producers' offerings, be certain these features are not overlooked.